

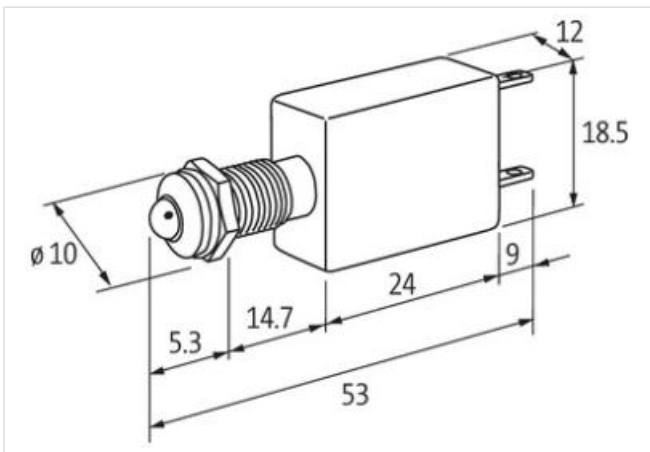
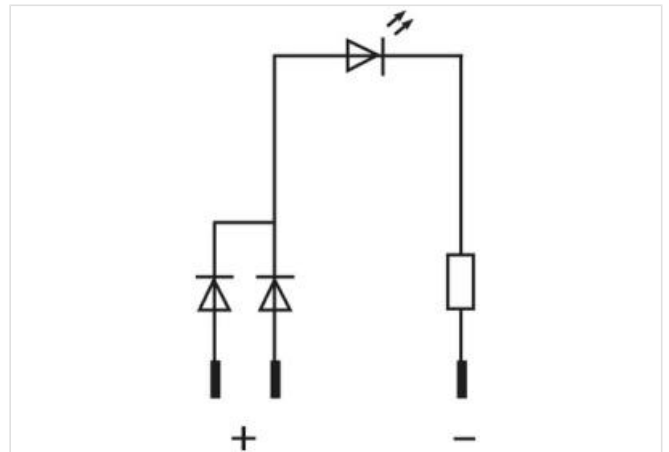
LED-display yellow 24VDC IP67 lamptest

Product discontinued, no alternative

(yellow)
24 V DC
Protection IP67
with lamp test input

Länk till produkt

Illustration



Produkten kan skilja sig från bilden

Kommersiella uppgifter

ECLASS-6.0	27261590
ECLASS-7.0	27261590
ECLASS-8.0	27261590
ECLASS-9.0	27261590
ETIM-5.0	EC000272
Förpackningsenhet	10
GTIN	4048879040600
Kundens tullnummer	85318070

Electrical data | Supply

Operating voltage AC	24 V
----------------------	------

Operating voltage AC min.	20,4 V
Operating voltage AC max.	26,4 V
Operating voltage DC	24 V
Operating voltage DC min.	20,4 V
Operating voltage DC max.	26,4 V
Current consumption min.	13 mA
Current consumption max.	17 mA

Installation | Connection

Connection information	Faston 2.8x0.8 mm
------------------------	-------------------

Device protection | Electrical

Degree of protection (EN IEC 60529)	IP67
-------------------------------------	------

Mechanical data

Diameter LED	5 mm
--------------	------

Mechanical data | Material data

Color housing	gray
Material housing	PVC

Mechanical data | Mounting data

Diameter front panel drilling	8 mm
Height	18,5 mm
Width	12 mm
Depth	53 mm

Environmental characteristics | Climatic

Operating temperature min.	-40 °C
Operating temperature max.	70 °C