

**S-Switch 22 2NO 1x90LO M12(4)**

Select switch 1x90° locked

**S-Switch 22 2NO 1x90LO M12(4)**

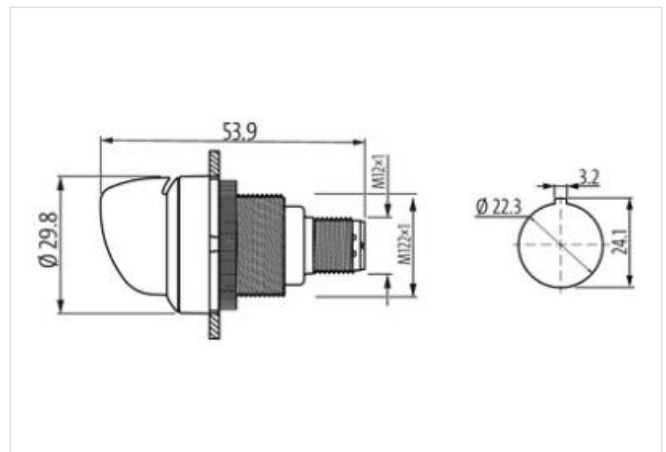
Select switch 2x40° spring return

Mounting hole 22,3 mm

Connection M12 (4-pin)

**Länk till produkt****Illustration**

Produkten kan skilja sig från bilden

**Kommersiella uppgifter**

ECLASS-6.1	27371243
ECLASS-7.0	27371243
ECLASS-8.0	27371243
ECLASS-9.0	27371243
ECLASS-10.1	27371243
ECLASS-11.1	27371243
ECLASS-12.0	27371243
ETIM-5.0	2023-03-24 17:41:17
Förpackningsenhet	1
GTIN	4065909019252
Kundens tullnummer	85365080

**Electrical data | Supply**

Rated operating voltage AC-15	35 V
Rated operating voltage DC-13	35 V
Rated operating current	0,1 A

**Electrical data | Input**

Short-circuit current	1000 A
-----------------------	--------

**Electrical data | Output**

Power switching max.	0,25 W
Voltage switching AC min.	1 V

Switching voltage AC max.	32 V
Switching voltage AC max. (UL 60947)	30 V
Voltage switching DC min.	1 V
Switching voltage DC max.	32 V
Switching voltage DC max. (UL 60947)	30 V
Current switching min.	1 mA
Switching current max.	100 mA

**Installation | Connection**

Family construction form	M12
--------------------------	-----

**Installation | Pin assignment**

Coding	A
No. of poles	4

**Device protection | Electrical**

Installation height max. ASL	2000 m
Rated insulation voltage	250 V
Short circuit protective device (SCPD)	fuse 250 V / 0.1 A / 1.5 kA gG quick
Degree of protection front (EN IEC 60529)	IP65
Degree of protection back (EN IEC 60529)	IP65
Pollution Degree	2
Overvoltage category (EN 60950-1)	II

**Device protection | Mechanical**

Mechanical endurance	200000 Cycles
Mechanical endurance B10	250000 Cycles
UL enclosure type rating front side	type 4X

**Device protection | Media**

Salt-spray resistance (IEC 60068-2-11)	yes
--	-----

**Mechanical data**

Can be illuminated	no
Actuating function	latching
Color	black
Color bezel	white
Color collar	black
Color front ring	black
Shape collar	round
Contact type	2 S

**Mechanical data | Material data**

Material housing	Plastic
Material contact	Gold

**Mechanical data | Mounting data**

Mounting method	Threaded ring
Installation height	23,8 mm
Mounting depth	36,4 mm
Mounting hole	22,3 mm
Height	29,8 mm
Width	53,9 mm
Grid min.	30 mm

**Environmental characteristics | Climatic**

Operating temperature min.	-40 °C
Operating temperature max.	85 °C
Derating from	40 °C
Storage temperature min.	-40 °C

Storage temperature max.	90 °C
--------------------------	-------

Relative humidity max. (operation)	93 %
------------------------------------	------

**Connection type 1**

Family construction form	M12
--------------------------	-----

Gender	male
--------	------

Color contact carrier	black
-----------------------	-------

Coding	A
--------	---

No. of poles	4
--------------	---