

Reset button with 2 push buttons

Every 1 NO contact in a IP65 enclosure

R-Button / 42 2NO M12(4)

with M12 connection

4-pole

2 buttons (each 1 NO contact)

Delivery contents:

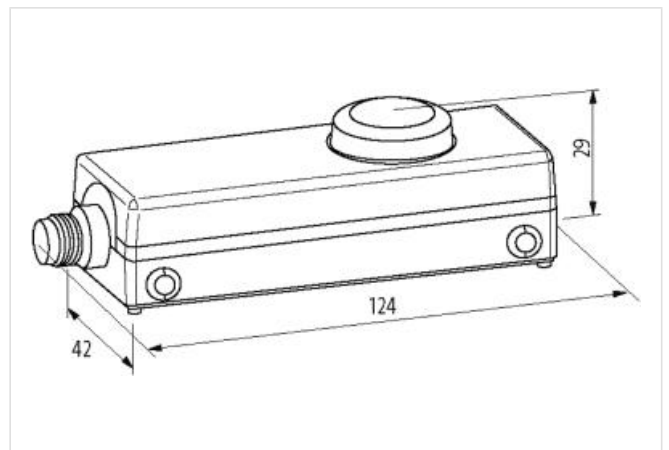
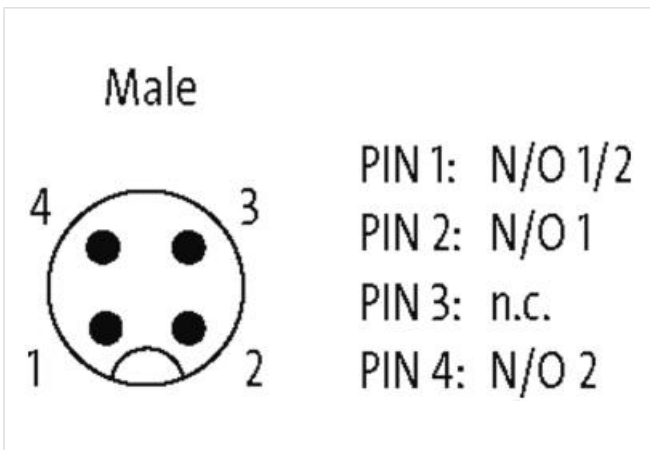
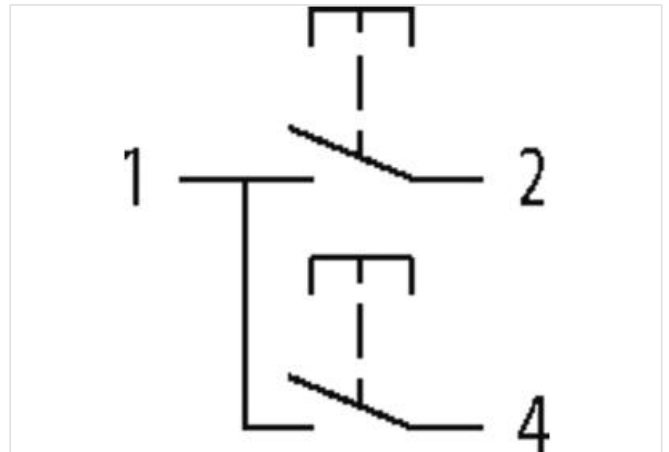
Flat lens, transparent clear, red, yellow, green, blue

Label plates, O, I, R, ↑, ↓

mounting with clip on the back side

Länk till produkt

Illustration



Produkten kan skilja sig från bilden



Kommersiella uppgifter

ECLASS-6.0 27371228

ECLASS-6.1 27371228

ECLASS-7.0	27371228
ECLASS-8.0	27371228
ECLASS-9.0	27371228
ECLASS-10.1	27371228
ECLASS-11.1	27371228
ECLASS-12.0	27371228
ETIM-5.0	EC000225
Förpackningsenhet	1
GTIN	4048879594318
Kundens tullnummer	85365080

Electrical data | Output

Utilization category DC-13 (EN IEC 60947-5-1)	2 A @ 24 V
Switching current (AC-15)	15 A
Switching current (DC-13)	2,2 A

Device protection

Condition lifetime	load-dependent, temperature dependent
--------------------	---------------------------------------

Device protection | Electrical

Electrical lifetime	1000000 Cycles
Degree of protection (EN IEC 60529)	IP65

Device protection | Mechanical

Mechanical endurance	1000000 Cycles
----------------------	----------------

Mechanical data

Bounce time max.	10 ms
------------------	-------

Mechanical data | Material data

Material contact	AgNi
------------------	------

Mechanical data | Mounting data

Height	29 mm
Width	124 mm
Depth	42 mm

Environmental characteristics | Climatic

Operating temperature min.	-25 °C
Operating temperature max.	70 °C
Storage temperature min.	-25 °C
Storage temperature max.	85 °C

Connection type 1

Family construction form	M12
Gender	male
Color contact carrier	black
Coding	A
No. of poles	4