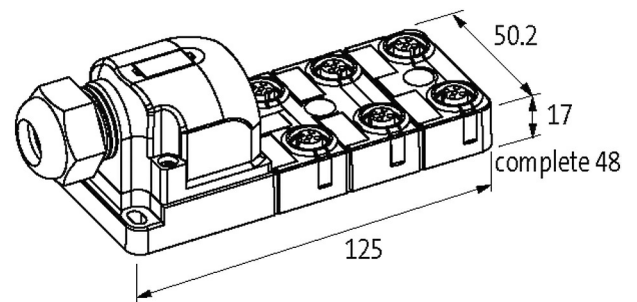
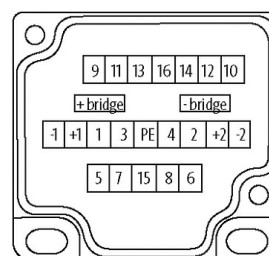
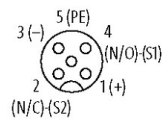


MVP12, 6XM12, 5POLE, PLUG. CAP SPT

Plug. cap, field-wireable via spring terminals

[Länk till produkt](#)**Illustration**

M12 Females 5-pole



for 2 signals per port

Produkten kan skilja sig från bilden

Godkännanden**Mer info**

Bus technologies

Technical Data

Operating voltage	24 V DC
Operating current per contact	max. 4 A
Locking of ports	Screw thread (M12×1 mm)
Connection	Spring clamp plug-in terminals: max. 1.5 mm ² (AWG 16)
Protection	IP67 inserted and tightened (EN 60529)
Housing	Plastic, flame retardant
Signal per port	2
Total current	max. 2× 8 A

General data

Temperature range	-20...+80 °C
Dimensions H×W×D	125×50.2×17 mm

Contact Layout

PIN 1	(+)
PIN 2	(NC)/(S2)
PIN 3	(-)
PIN 4	(NO)/(S1)
PIN 5	(Earth)
	LED (green): Power / LED (yellow): (S1/S2)

Kommersiella uppgifter

EAN	4048879063357
eClass	27279219
Förpackningsenhet	1.000
Kundens tullnummer	85369010
Tillverknings land	DE