

MOTOR SUPPRESSOR

Varistor, 3x400VAC/4kW

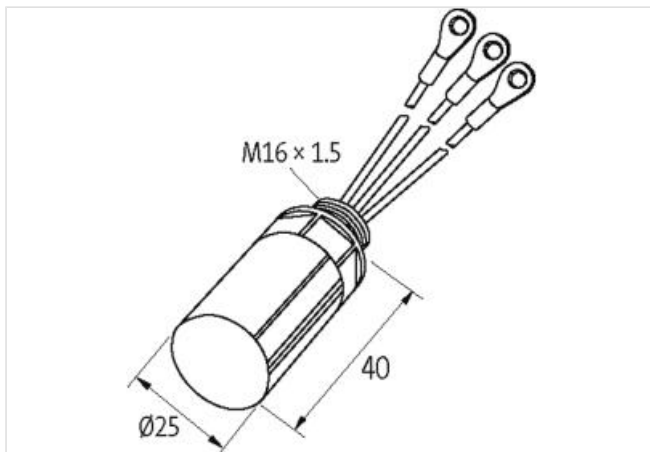
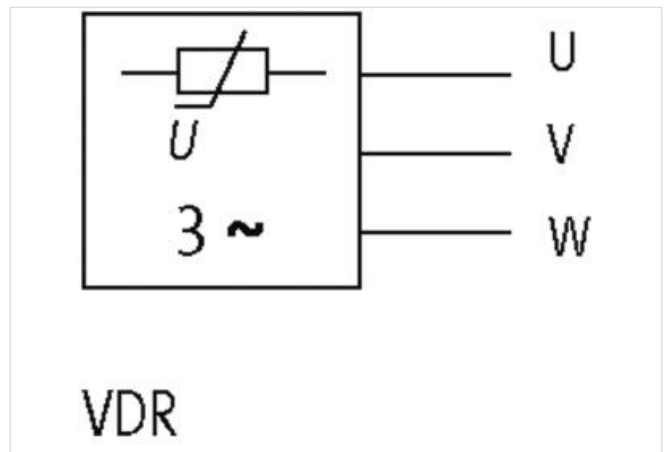
3× 575 V AC

VDR

Suppressors for other voltages, frequencies, and motor ratings available on request. Do not use RC motor suppressors with frequency inverters.

Länk till produkt

Illustration



Produkten kan skilja sig från bilden



Technical Data

Input voltage	575...575 V AC
Material	Flame retardant plastic acc. to (UL 94)
Ring terminals	isolated M6
Potting compound	2-component epoxy

General data

Mounting method	on motor terminal box with plug connector
Temperature range	-20...+60 °C
Connection	approx. 100 mm, single cores 0.5 mm ²
Dimensions H×W×D	25×25×40 mm
Article No.	23112