

## MOTOR SUPPRESSOR

Varistor, 3x400VAC/4kW

3x 400 V AC

VDR

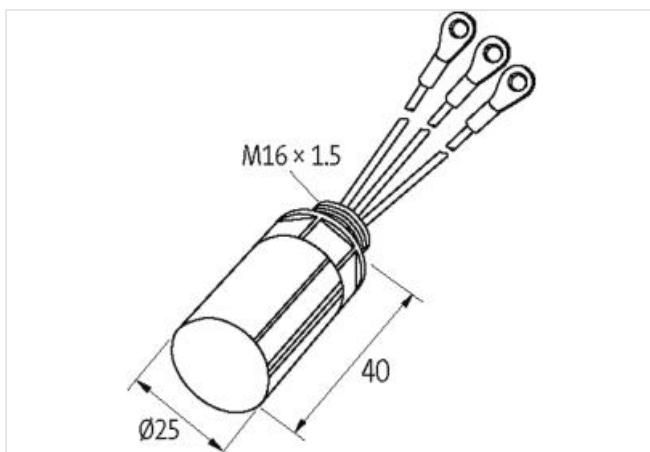
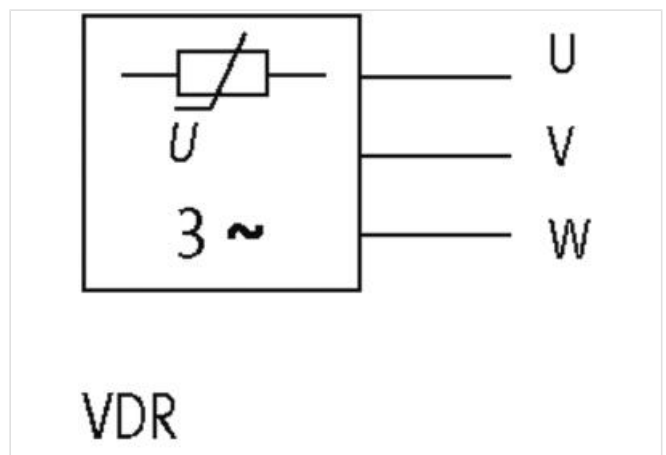
isolated M6

PG9

Suppressors for other voltages, frequencies, and motor ratings available on request. Do not use RC motor suppressors with frequency inverters.

### Länk till produkt

#### Illustration



Produkten kan skilja sig från bilden



#### Kommersiella uppgifter

ECLASS-6.0	27371013
ECLASS-6.1	27371013
ECLASS-7.0	27371013
ECLASS-8.0	27371013

ECLASS-9.0	27371013
ECLASS-10.1	27371013
ECLASS-11.1	27371013
ECLASS-12.0	27371013
ETIM-5.0	EC000197
Förpackningsenhet	1
GTIN	4048879019316
Kundens tullnummer	85363010

**Electrical data | Supply**

Power frequency	10 ... 400 Hz
-----------------	---------------

**Electrical data | Input**

Voltage input AC	400 V
------------------	-------

**Installation**

Connection cross section max.	0,5 mm <sup>2</sup>
-------------------------------	---------------------

**Installation | Connection**

Connection information	Single strands
Length single strands	100 mm
Ring terminals	M6isolated

**Device protection | Media**

Flame resistance	flame retardant
------------------	-----------------

**Mechanical data | Material data**

Combustibility class housing (UL94)	V-0
Material housing	Plastic
Material potting compound	2-component epoxy

**Mechanical data | Mounting data**

Mounting method	inserted
Suitable for mounting type	Motorklemmkasten
Height	25 mm
Width	25 mm
Depth	40 mm

**Environmental characteristics | Climatic**

Operating temperature min.	-20 °C
Operating temperature max.	60 °C