

EXACT8, 6XM8, 3 POLE PRE-WIRED CABLE

10.0m PUR/PVC 6*0,34+2*0,75

Art.Nr.: 8000-86010-3501000

Vikt: 1,033 kg

Tillverknings land: DE

Modellbeteckning: MVP8N-AN6D350 10.0M

6-facks, 3-polig

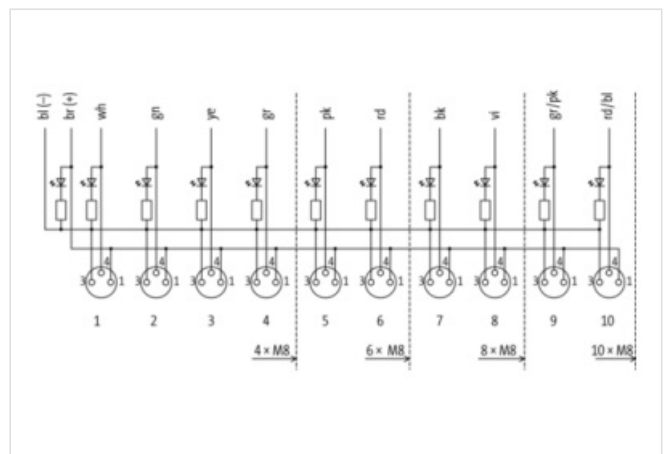
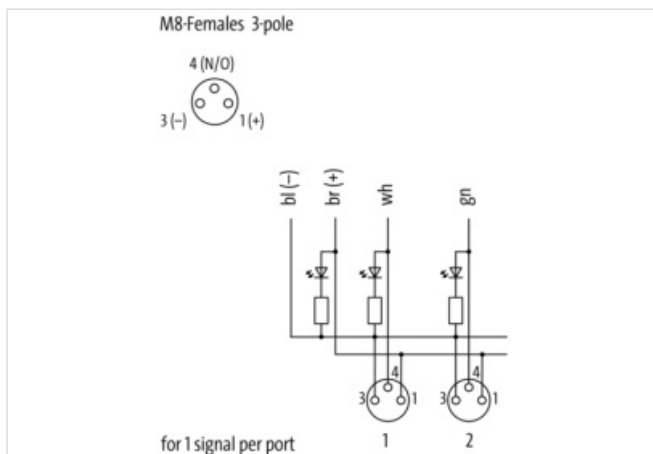
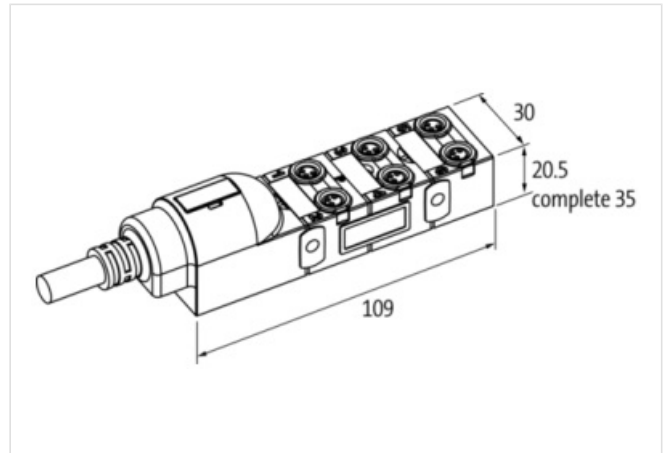
Ytterligare kabellängder kan fås på begäran.

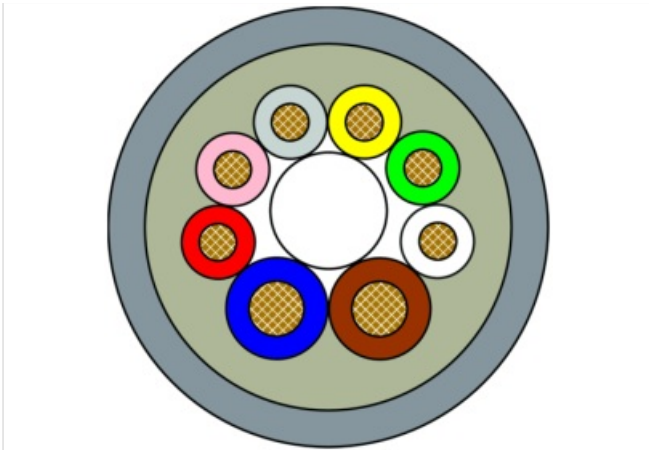
Husmaterialet är i plast med god kemisk-och oljebeständighet

Vid förekomst av aggressiv media är materialbeständighet applikationsavhängig och ska undersökas. Vidare information på begäran.

Länk till produkt

Illustration





Produkten kan skilja sig från bilden



Kommersiella uppgifter

URL Webshop	https://shop.murrelektronik.com/8000-86010-3501000
GTIN	4048879055277
Customs tariff number	85444290
ECLASS-6.0	27279219
ECLASS-6.1	27279219
ECLASS-7.0	27279219
ECLASS-7.1	27279219
ECLASS-8.0	27279219
ECLASS-8.1	27279219
ECLASS-9.0	27440108
ECLASS-9.1	27440108
ECLASS-10.0.1	27440108
ECLASS-10.1	27440108
ECLASS-11.0	27440108
ECLASS-11.1	27440108
ECLASS-12.0	27440108
ECLASS-13.0	27440108
ECLASS-14.0	27440108
ETIM-5.0	EC002585
ETIM-6.0	EC002585
ETIM-7.0	EC002585
ETIM-8.0	EC002585
EAN	4048879055277
Förpackningsenhet	1
Kundens tullnummer	85444290

Electrical data | Supply

Operating voltage DC	24 V
Current operating per contact max.	2 A
Total current max.	8 A

Industrial Communication

Number of signals per port	1
----------------------------	---

Installation | Connection

Monteringsatts M8 x 1

Device protection | Electrical

Degree of protection (EN IEC 60529) IP67, IP65

Device protection | Media

Flame resistance flame retardant

Mechanical data | Material data

housing Plast

Mechanical data | Mounting data

Monteringsmetod Schraubgewinde

Environmental characteristics | Climatic

Operating temperature min. -20 °C

Operating temperature max. 80 °C

Additional condition temperature range depending on cable quality

Installation | Cable

Cable identification 350

Kabeltyp 2

Function cable Signal

Stranding 1 × 8 wires around core filler twisted

Filler Yes

Wire arrangement pink, gray, yellow, green, white, brown, blue, red

Cable weight 86 g/m

Material wire insulation PVC

Amount wires 6

Outer diameter insulation 1,3 mm

Outer diameter tolerance core insulation ± 0,1 mm

Shore hardness wire insulation 43 ± 5 Shore D

Material properties wire insulation good machinability

Ingredient freeness wire insulation lead-free, cadmium-free, CFC-free, silicone-free

Amount strands (wire) 19

Diameter of single wires 0,15 mm

Conductor crosssection (wire) 0,34 mm²

Material conductor wire Stranded copper wire, bare

Conductor type (wire) Strand class 5

Material wire insulation (type 2) PVC

Outer diameter wire insulation (type 2) 1,8 mm

Tolerance outer diameter wire insulation (type 2) ± 0,1 mm

Shore hardness wire insulation (type 2) 43 ± 5 Shore D

Material properties wire insulation (type 2) good machinability

Ingredient freeness wire insulation (type 2) lead-free, cadmium-free, CFC-free, silicone-free

Amount wires (type 2) 2

Amount strands wire (type 2) 24

Diameter of single wires (type 2) 0,2 mm

Conductor crosssection wire (type 2) 0,75 mm²

Material conductor wire (type 2) Stranded copper wire, bare

Wire conductor type (type 2) Strand class 5

Electrical function wire (type 2) Power

Outer-diameter (jacket) 7,8 mm

Tolerance outer diameter (sheath) ± 5 %

Material mantel PUR

Durezza rivestimento 87 ± 5 Shore A

Freedom from ingredients (jacket) lead-free, cadmium-free, CFC-free, silicone-free

Material property (jacket)	abrasion-resistant, low adhesion, good machinability, matte
Material inner jacket	PVC
Color (inner jacket)	grå
Conductor resistance (wire)	57 Ω /km @ 20 °C
Conductor resistance (wire type 2)	26 Ω /km @ 20 °C
Max. rated voltage (conductor - ground)	300 V
Max. rated voltage (conductor - conductor)	300 V
Withstand voltage (wire - wire)	2 kV @ 60 s
Withstand voltage (wire - jacket)	2 kV @ 60 s
Current load capacity (standard)	to DIN VDE 0298-4
Current load capacity max. (wire)	4,2 A
Current load capacity max. Wire (type 2)	12 A
Operating temperature min. (static)	-30 °C
Operating temperature max. (static)	80 °C
Operating temperature min. (dynamic)	-5 °C
Operating temperature max. (dynamic)	70 °C
Operating temperature min. (drag chain)	-5 °C
Operating temperature max. (drag chain)	60 °C
Flame resistance	UL 1581 § 1090, CSA FT2, IEC 60332-2-2
Oil resistance	IEC 60811-404
Chemical resistance	good
Other resistances	good resistance to gasoline, resistant to hydrolysis, resistant to microbes
Böjradie (fixerad)	5 × Outer diameter
Böjradie (vid rörelse)	10 × Outer diameter
No. of bending cycles (C-track)	2 Mio. @ 25 °C
Traversing distance (C-track)	5 m @ 25 °C
Travel speed (C-track)	2 m/s @ 25 °C
Acceleration (C-track)	10 m/s ² @ 25 °C