

EXACT8, 10XM8, 3 POLE PRE-WIRED CABLE

10.0m PUR/PVC 10*0,34+2*0,75

Art.Nr.: 8000-80010-3851000

Vikt: 1,287 kg

Tillverknings land: DE

Modellbeteckning: MVP8N-AN10D385 10.0m

10-vägs, 3-polig

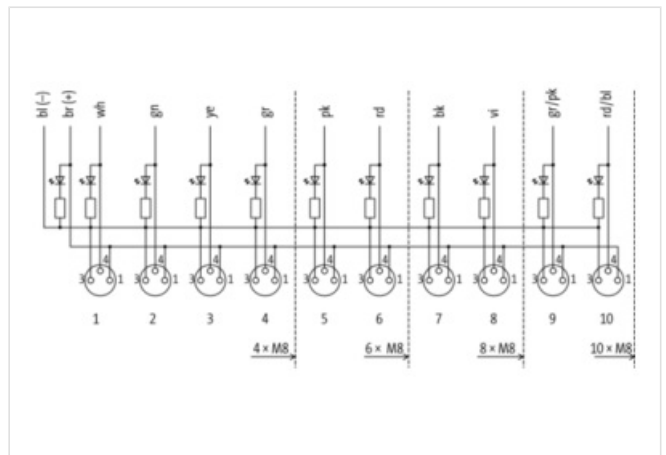
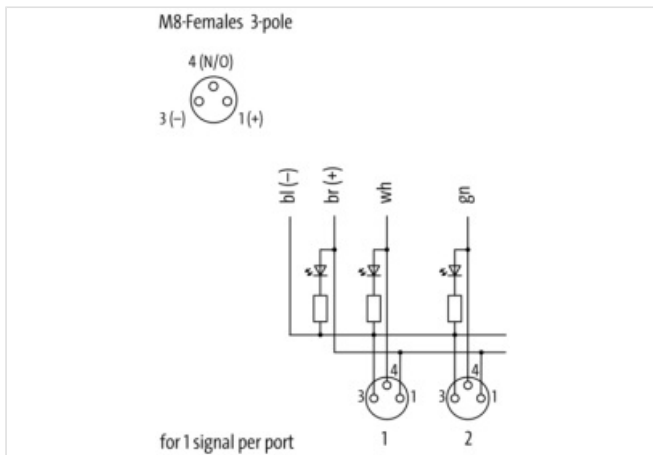
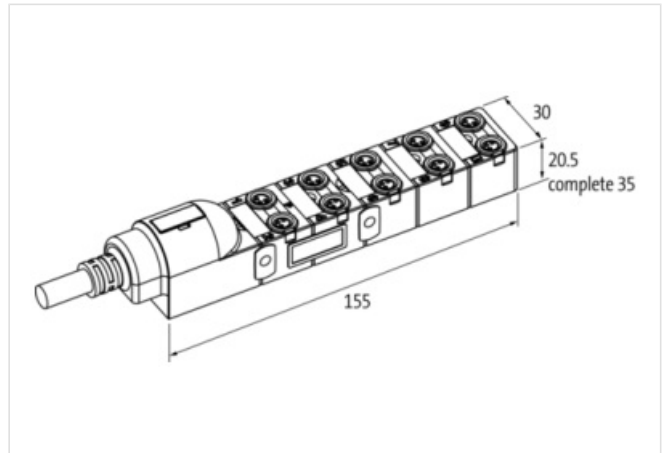
Ytterligare kabellängder kan fås på begäran.

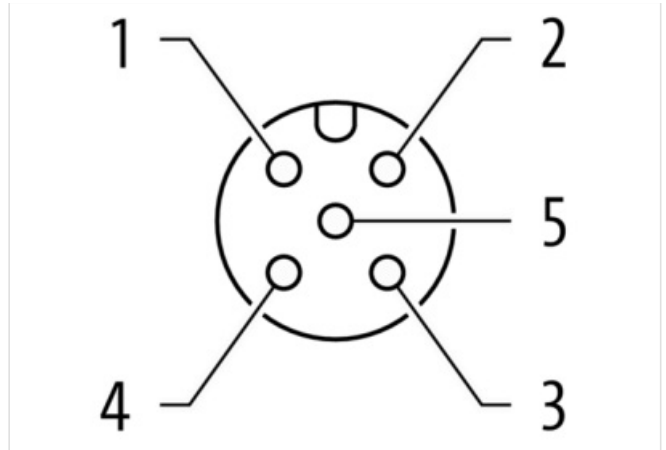
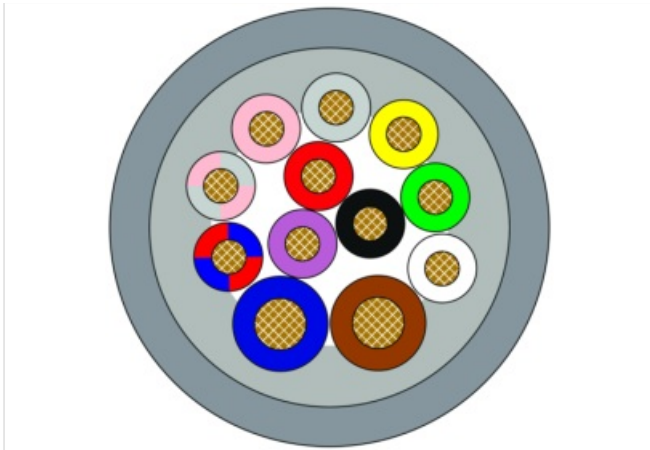
Husmaterialet är i plast med god kemisk-och oljebeständighet

Vid förekomst av aggressiv media är materialbeständighet applikationsavhängig och ska undersökas. Vidare information på begäran.

Länk till produkt

Illustration





Produkten kan skilja sig från bilden



Kommersiella uppgifter

| | |
|-----------------------|---|
| URL Webshop | https://shop.murrelektronik.com/8000-80010-3851000 |
| GTIN | 4048879056946 |
| Customs tariff number | 85444290 |
| ECLASS-6.0 | 27279219 |
| ECLASS-6.1 | 27279219 |
| ECLASS-7.0 | 27279219 |
| ECLASS-7.1 | 27279219 |
| ECLASS-8.0 | 27279219 |
| ECLASS-8.1 | 27279219 |
| ECLASS-9.0 | 27440108 |
| ECLASS-9.1 | 27440108 |
| ECLASS-10.0.1 | 27440108 |
| ECLASS-10.1 | 27440108 |
| ECLASS-11.0 | 27440108 |
| ECLASS-11.1 | 27440108 |
| ECLASS-12.0 | 27440108 |
| ECLASS-13.0 | 27440108 |
| ECLASS-14.0 | 27440108 |
| ETIM-5.0 | EC002585 |
| ETIM-6.0 | EC002585 |
| ETIM-7.0 | EC002585 |
| ETIM-8.0 | EC002585 |
| EAN | 4048879056946 |
| Förpackningsenhet | 1 |
| Kundens tullnummer | 85444290 |

Electrical data | Supply

| | |
|------------------------------------|------|
| Operating voltage DC | 24 V |
| Current operating per contact max. | 2 A |
| Total current max. | 8 A |

Industrial Communication

| | |
|----------------------------|---|
| Number of signals per port | 1 |
|----------------------------|---|

Installation | Connection

Monteringsatts M8 x 1

| Device protection Electrical | |
|---|--|
| Degree of protection (EN IEC 60529) | IP67, IP65 |
| Device protection Media | |
| Flame resistance | flame retardant |
| Mechanical data Material data | |
| housing | Plast |
| Mechanical data Mounting data | |
| Monteringsmetod | Schraubgewinde |
| Environmental characteristics Climatic | |
| Operating temperature min. | -20 °C |
| Operating temperature max. | 80 °C |
| Additional condition temperature range | depending on cable quality |
| Installation Cable | |
| Cable identification | 385 |
| Kabeltyp | 2 |
| Function cable | Signal |
| Stranding | 1 × 3 wires stranded |
| Stranding (type 2) | 1 × 9 wires stranded around stranding combination |
| Wire arrangement | (red, black, violet), gray-pink, pink, gray, yellow, green, white, brown, blue, red-blue |
| Cable weight | 103 g/m |
| Material wire insulation | PVC |
| Amount wires | 10 |
| Outer diameter insulation | 1,3 mm |
| Outer diameter tolerance core insulation | ± 0,1 mm |
| Shore hardness wire insulation | 43 ± 5 Shore D |
| Material properties wire insulation | good machinability |
| Ingredient freeness wire insulation | lead-free, cadmium-free, CFC-free, silicone-free |
| Amount strands (wire) | 19 |
| Diameter of single wires | 15 mm |
| Conductor crosssection (wire) | 0,34 mm ² |
| Material conductor wire | Stranded copper wire, bare |
| Conductor type (wire) | Strand class 5 |
| Material wire insulation (type 2) | PVC |
| Outer diameter wire insulation (type 2) | 1,8 mm |
| Tolerance outer diameter wire insulation (type 2) | ± 0,1 mm |
| Shore hardness wire insulation (type 2) | 43 ± 5 Shore D |
| Material properties wire insulation (type 2) | good machinability |
| Ingredient freeness wire insulation (type 2) | lead-free, cadmium-free, CFC-free, silicone-free |
| Amount wires (type 2) | 2 |
| Amount strands wire (type 2) | 24 |
| Diameter of single wires (type 2) | 0,2 mm |
| Conductor crosssection wire (type 2) | 0,75 mm ² |
| Material conductor wire (type 2) | Stranded copper wire, bare |
| Wire conductor type (type 2) | Strand class 5 |
| Electrical function wire (type 2) | Power |
| Outer-diameter (jacket) | 8,3 mm |
| Tolerance outer diameter (sheath) | ± 5 % |
| Material mantel | PUR |
| Durezza rivestimento | 87 ± 5 Shore A |

| | |
|--|---|
| Freedom from ingredients (jacket) | lead-free, cadmium-free, CFC-free, silicone-free |
| Material property (jacket) | abrasion-resistant, low adhesion, good machinability, matte |
| Material inner jacket | PVC |
| Color (inner jacket) | grå |
| Conductor resistance (wire) | 57 Ω /km @ 20 °C |
| Conductor resistance (wire type 2) | 26 Ω /km @ 20 °C |
| Max. rated voltage (conductor - ground) | 300 V |
| Max. rated voltage (conductor - conductor) | 300 V |
| Withstand voltage (wire - wire) | 2 kV @ 60 s |
| Withstand voltage (wire - jacket) | 2 kV @ 60 s |
| Current load capacity (standard) | to DIN VDE 0298-4 |
| Current load capacity max. (wire) | 4 A |
| Current load capacity max. Wire (type 2) | 12 A |
| Operating temperature min. (static) | -30 °C |
| Operating temperature max. (static) | 80 °C |
| Operating temperature min. (dynamic) | -5 °C |
| Operating temperature max. (dynamic) | 70 °C |
| Operating temperature min. (drag chain) | -5 °C |
| Operating temperature max. (drag chain) | 60 °C |
| Flame resistance | UL 1581 § 1090, CSA FT2, IEC 60332-2-2 |
| Oil resistance | IEC 60811-404 |
| Chemical resistance | good |
| Other resistances | good resistance to gasoline, resistant to hydrolysis, resistant to microbes |
| Böjradie (fixerad) | 5 × Outer diameter |
| Böjradie (vid rörelse) | 10 × Outer diameter |
| No. of bending cycles (C-track) | 2 Mio. @ 25 °C |
| Traversing distance (C-track) | 5 m @ 25 °C |
| Travel speed (C-track) | 2 m/s @ 25 °C |
| Acceleration (C-track) | 10 m/s ² @ 25 °C |

Connection type 2

| | |
|--------------------------|----------------|
| Family construction form | free cable end |
| Antal poler | 12 |
| Family construction form | M8 |
| Antal poler | 3 |
| Kodning | A |
| Gender | female |
| Color contact carrier | black |
| PIN 1 | + |
| PIN 3 | - |
| PIN 4 | S |