

MVP-METALL, 8XM12, 5POLE, PRE-WIRED CABLE

5.0m PUR 16x0,5+3x1,0, UL/CSA

Art.Nr.: 8000-58510-4520500

Vikt: 1,500 kg

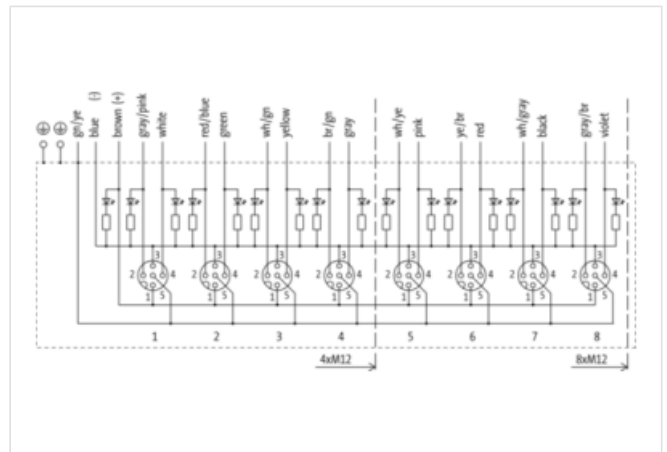
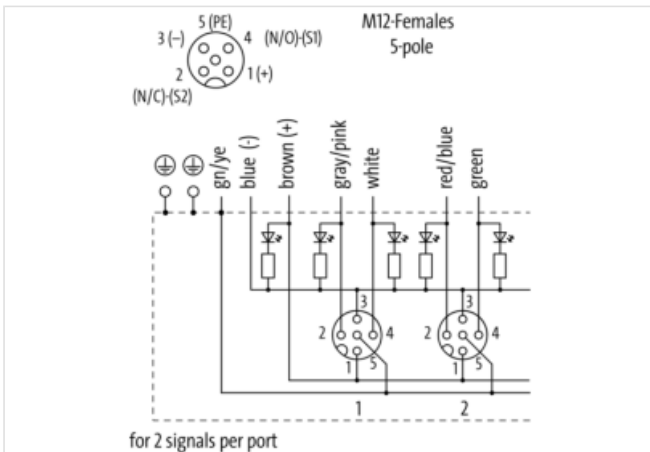
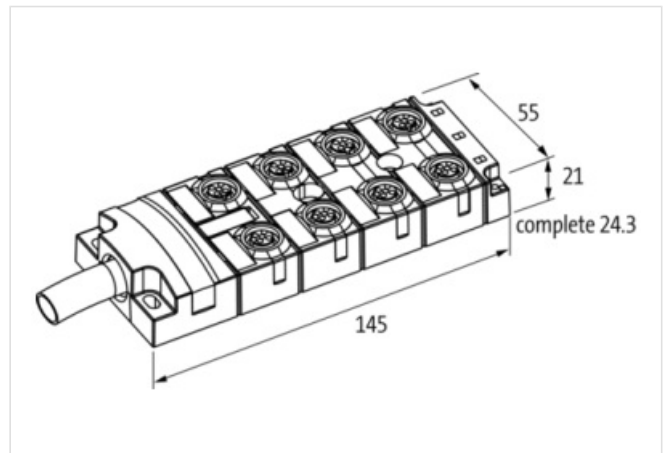
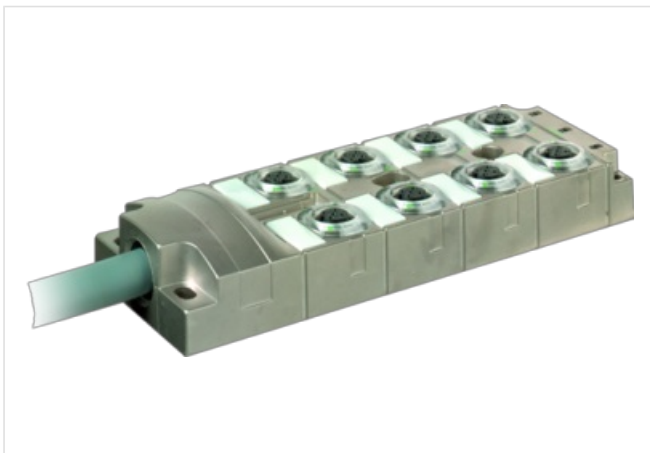
Tillverknings land: CZ

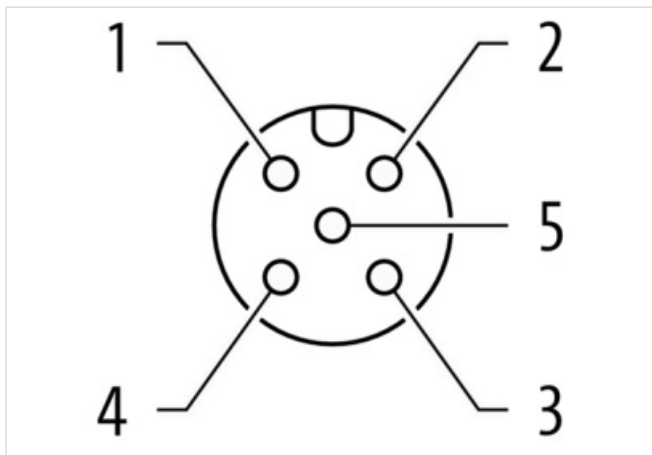
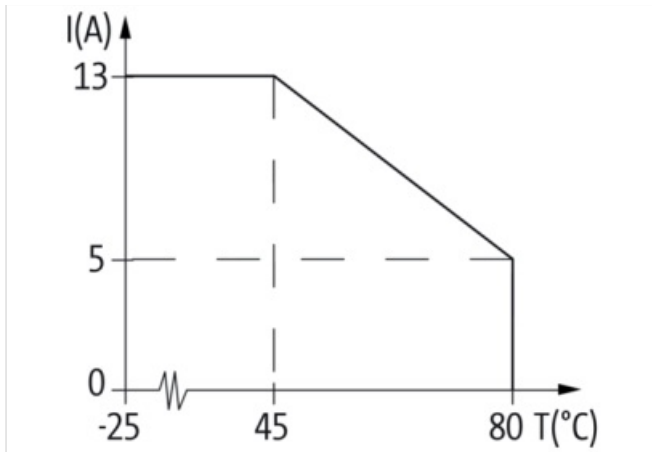
Modellbeteckning: MVP12M-AN8F 452 5.0

8-facks, 5-polig
med LED för digitala PNP signaler 24 V DC
Ytterligare kabellängder kan fås på begäran.

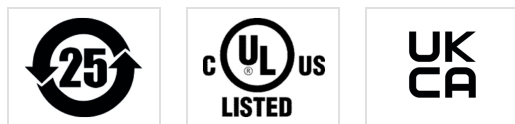
Länk till produkt

Illustration





Produkten kan skilja sig från bilden



Kommersiella uppgifter

URL Webshop	https://shop.murrelektronik.com/8000-58510-4520500
GTIN	4048879351928
Customs tariff number	85444290
ECLASS-6.0	27279219
ECLASS-6.1	27279219
ECLASS-7.0	27279219
ECLASS-7.1	27279219
ECLASS-8.0	27279219
ECLASS-8.1	27279219
ECLASS-9.0	27440108
ECLASS-9.1	27440108
ECLASS-10.0.1	27440108
ECLASS-10.1	27440108
ECLASS-11.0	27440108
ECLASS-11.1	27440108
ECLASS-12.0	27440108
ECLASS-13.0	27440108
ECLASS-14.0	27440108

ETIM-5.0	EC002585
ETIM-6.0	EC002585
ETIM-7.0	EC002585
ETIM-8.0	EC002585
EAN	4048879351928
Förpackningsenhet	1
Kundens tullnummer	85444290

Electrical data | Supply

Operating voltage DC	24 V
Current operating per contact max.	4 A

Installation | Connection

Monteringssats	M12 x 1
----------------	---------

Device protection | Electrical

Degree of protection (EN IEC 60529)	IP67, IP68, IP65
-------------------------------------	------------------

Mechanical data | Material data

housing	Zinc die-casting
Coating housing	Nickeled

Mechanical data | Mounting data

Monteringsmetod	Schraubgewinde
Kabellängd	5 m

Environmental characteristics | Climatic

Operating temperature min.	-25 °C
Operating temperature max.	90 °C
Additional condition temperature range	depending on cable quality

Installation | Cable

Cable identification	452
Kabeltyp	3
Function cable	Signal
Stranding	1 × 7 wires around core filler twisted
Stranding factor min.	80 mm
Stranding factor max.	80 mm
Stranding (type 2)	1 × 12 wires stranded in opposite direction around stranding combination
Stranding factor min. (type 2)	140 mm
Stranding factor max. (type 2)	140 mm
Banding	Fleece
Filler	Yes
Wire arrangement	(gray-pink, brown-green, yellow, green-white, green, red-blue, white), brown-gray, black, gray-white, red, brown-yellow, pink, yellow-white, gray, blue, brown, green-yellow, violet
Cable weight	201,1 g/m
Material wire insulation	PP
Amount wires	16
Outer diameter insulation	1,6 mm
Outer diameter tolerance core insulation	± 0,1 mm
Shore hardness wire insulation	70 ± 5 Shore D
Ingredient freeness wire insulation	halogenfri
Amount strands (wire)	64
Diameter of single wires	0,1 mm
Conductor crosssection (wire)	0,5 mm ²
Material conductor wire	Stranded copper wire, bare
Conductor type (wire)	strand class 6
Electrical function wire	Signal
Material wire insulation (type 2)	PP

Outer diameter wire insulation (type 2)	2,1 mm
Tolerance outer diameter wire insulation (type 2)	± 0,1 mm
Shore hardness wire insulation (type 2)	70 Shore D ± 5 Shore D
Ingredient freeness wire insulation (type 2)	halogenfri
Amount wires (type 2)	3
Amount strands wire (type 2)	128
Diameter of single wires (type 2)	0,1 mm
Conductor crosssection wire (type 2)	1 mm ²
Material conductor wire (type 2)	Stranded copper wire, bare
Wire conductor type (type 2)	strand class 6
Electrical function wire (type 2)	Power
Outer-diameter (jacket)	11,5 mm
Tolerance outer diameter (sheath)	± 5 %
Material mantel	PUR
Durezza rivestimento	90 ± 5 Shore A
Freedom from ingredients (jacket)	halogenfri
Material property (jacket)	abrasion-resistant, low adhesion, good machinability, matte
Conductor resistance (wire)	39 Ω/km @ 20 °C
Conductor resistance (wire type 2)	19.5 Ω/km @ 20 °C
Max. rated voltage (conductor - ground)	300 V
Max. rated voltage (conductor - conductor)	500 V
Withstand voltage (wire - wire)	2 kV @ 60 s
Withstand voltage (wire - jacket)	2 kV @ 60 s
Current load capacity (standard)	to DIN VDE 0298-4
Current load capacity max. (wire)	5,9 A
Current load capacity max. Wire (type 2)	15 A
Operating temperature min. (static)	-40 °C
Operating temperature max. (static)	80 °C / 90 °C @ 10000 h Operation
Operating temperature min. (dynamic)	-25 °C
Operating temperature max. (dynamic)	80 °C / 90 °C @ 10000 h Operation
Operating temperature min. (drag chain)	-5 °C
Operating temperature max. (drag chain)	60 °C
Flame resistance	IEC 60332-1-2
Oil resistance	ISO 19642-3
Chemical resistance	ISO 19642-3
Ozone resistance	IEC 60811-403
UV resistance	UL 1581 § 1200
Other resistances	resistance to gasoline (ISO 19642-3), resistant to mineral oils, greases, machine and gear oils and cooling lubricants, resistant to hydrolysis, resistant to microbes
Böjradie (fixerad)	7.5 × Outer diameter
Böjradie (vid rörelse)	10 × Outer diameter
No. of bending cycles (C-track)	5 Mio. @ 25 °C
Traversing distance (C-track)	10 m @ 25 °C horizontal
Travel speed (C-track)	3 m/s @ 25 °C
Acceleration (C-track)	10 m/s ² @ 25 °C
Connection type 2	
Family construction form	free cable end
Antal poler	16
Family construction form	M12
Antal poler	5
Kodning	A
Gender	female
Color contact carrier	black

PIN 1	+
PIN 2	NC S 2
PIN 3	-
PIN 4	NO S 1
PIN 5	PE