

MQ12 female 90° A-cod. with cable

PUR 4x0.34 bk UL/CSA+drag ch. 1.5m

Art.Nr.: 7050-12341-6340150

Vikt: 0,073 kg

Tillverknings land: DE

Modellbeteckning: MSDL0-T634_1.5-S50

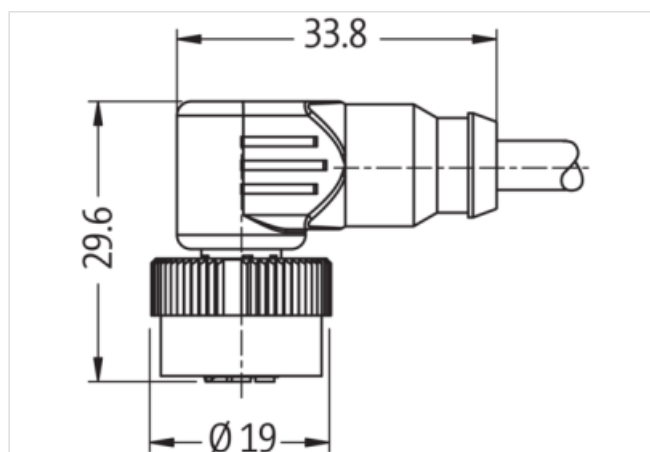
Hona vinklad

MQ12, 4-polig

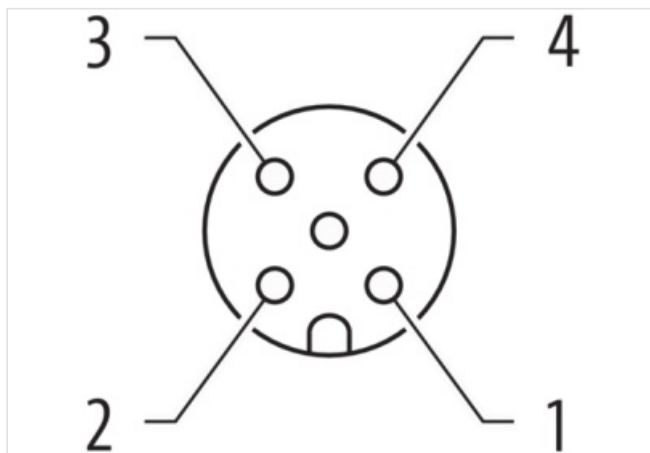
Ytterligare kabellängder kan fås på begäran.

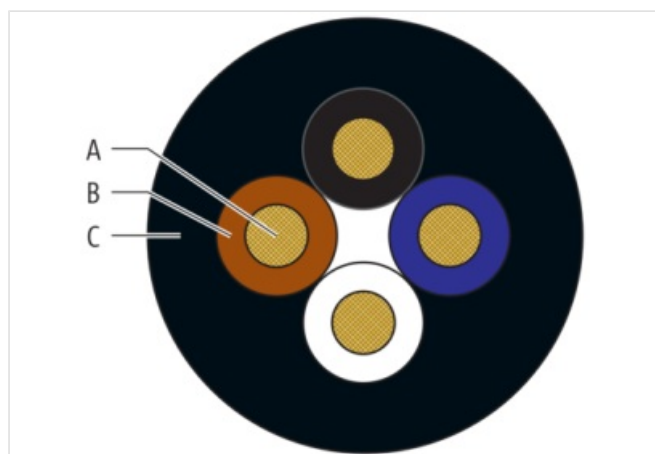
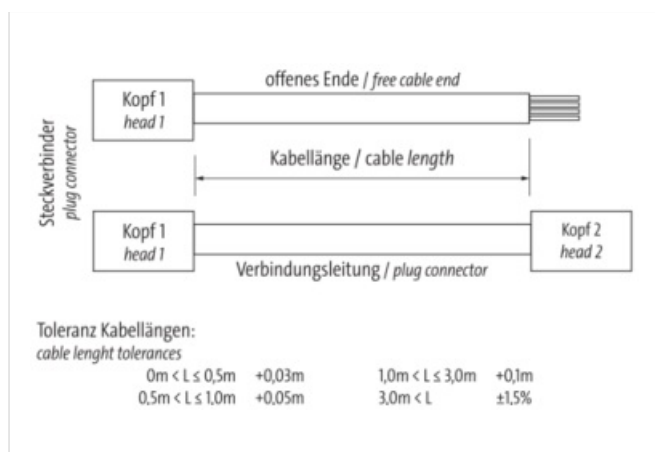
Husmaterialet är i plast med god kemisk-och oljebeständighet

Vid förekomst av aggressiv media är materialbeständighet applikationsavhängig och ska undersökas. Vidare information på begäran.

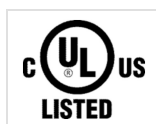
[Länk till produkt](#)**Illustration**

1	BN
2	WH
3	BU
4	BK





Produkten kan skilja sig från bilden



Kabellängd 1,50 m

Side 1

Family construction form MQ12
Degree of protection (EN IEC 60529) IP67, IP65

Kommersiella uppgifter

URL Webshop <https://shop.murrelektronik.com/7050-12341-6340150>
EAN 4048879106948
Förpackningsenhet 1
Kundens tullnummer 85444290

Electrical data | Supply

Operating voltage AC max. 250 V
Operating voltage DC max. 250 V
Current operating per contact max. 4 A

Device protection | Electrical

Additional condition protection degree inserted, screwed

Mechanical data | Mounting data

Monteringsmetod inserted, screwed

Looking techniques bayonet-locking

Environmental characteristics | Climatic

Operating temperature min.	-25 °C
Operating temperature max.	85 °C
Additional condition temperature range	depending on cable quality

Important installation notes

Note on bending radius	Attention: Observe the permissible bending radii when laying cables, as the IP protection class can be endangered by excessive bending forces.
Note on strain relief	Protect the connectors by suitable measures from mechanical loads, e.g. by the usage of cable ties.

Installation | Cable

Cable identification	634
Kabeltyp	3
Amount stranding	1
Stranding	1 × 4 wires stranded
Wire arrangement	brown, black, blue, white
Cable weight	27,6 g/m
Material wire insulation	PP
Amount wires	4
Outer diameter insulation	1,25 mm
Outer diameter tolerance core insulation	± 0,05 mm
Shore hardness wire insulation	70 5 Shore D
Ingredient freeness wire insulation	halogenfri
Amount strands (wire)	42
Diameter of single wires	0,1 mm
Conductor crosssection (wire)	0,34 mm ²
Material conductor wire	Stranded copper wire, bare
Conductor type (wire)	strand class 6
Outer-diameter (jacket)	4,5 mm
Tolerance outer diameter (sheath)	± 5 %
Material mantel	PUR
Durezza rivestimento	90 5 Shore A
Freedom from ingredients (jacket)	halogenfri
Material property (jacket)	abrasion-resistant, low adhesion, good machinability, matte
Conductor resistance (wire)	57 Ω/km @ 20 °C
Nominal voltage max.	300 V
Withstand voltage (wire - wire)	2.5 kV @ 60 s
Withstand voltage (wire - jacket)	2.5 kV @ 60 s
Current load capacity (standard)	to DIN VDE 0298-4
Current load capacity max. (wire)	4,8 A
Operating temperature min. (static)	-40 °C
Operating temperature max. (static)	80 °C / 90 °C @ 10000 h Operation
Operating temperature min. (dynamic)	-25 °C
Operating temperature max. (dynamic)	80 °C / 90 °C @ 10000 h Operation
Operating temperature min. (drag chain)	-25 °C
Operating temperature max. (drag chain)	80 °C / 90 °C @ 10000 h Operation
Flame resistance	UL 1581 § 1090, CSA FT2, IEC 60332-2-2
Oil resistance	IEC 60811-404
Chemical resistance	good
Other resistances	good resistance to gasoline, resistant to hydrolysis, resistant to microbes
Böjradie (fixerad)	5 × Outer diameter
Böjradie (vid rörelse)	10 × Outer diameter
No. of bending cycles (C-track)	10 Mio. @ 25 °C
Traversing distance (C-track)	10 m @ 25 °C horizontal

Travel speed (C-track)	3 m/s @ 25 °C
Acceleration (C-track)	10 m/s ² @ 25 °C
No. of torsion cycles	5 Mio.
Torsion stress	360 °/m
Torsion speed	35 cycles/min