

M12 Power male 0° S-cod. screw terminal4-pol., max. 2,5mm², 8 - 10mm

Art.Nr.: 7000-P6391-0000000

Vikt: 0,027 kg

Tillverknings land: DE

Modellbeteckning: MSWASL0-T

Hane, rak

M12, 4-polig

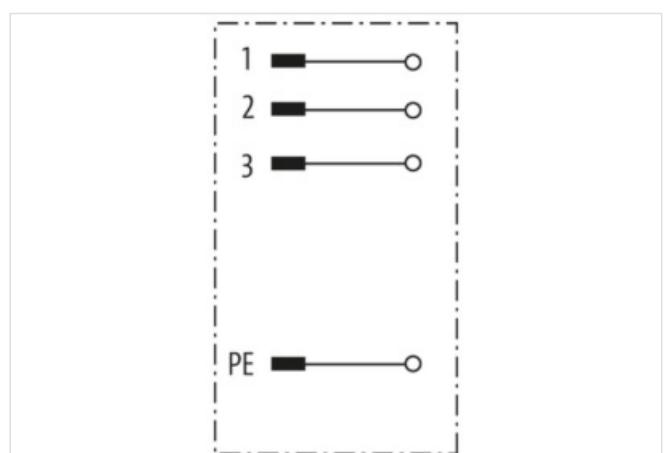
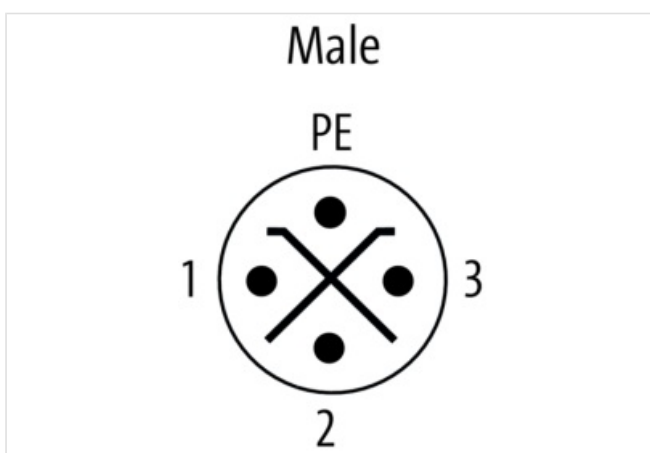
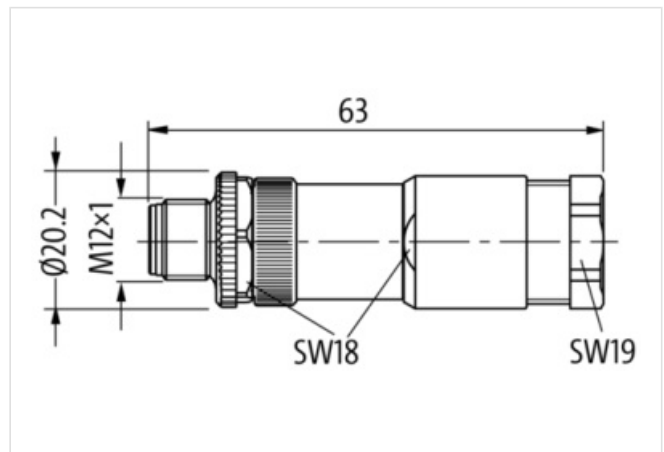
S-kodad

Skruvplintar

Förlutningsintervall (kabel Ø): 8...10 mm

Husmaterialet är i plast med god kemisk-och oljebeständighet

Vid förekomst av aggressiv media är materialbeständighet applikationsavhängig och ska undersökas. Vidare information på begäran.

[Länk till produkt](#)**Illustration**

Produkten kan skilja sig från bilden



Family construction form	M12P
Antal poler	4
Kodning	S
Gender	male
Monteringsmetod	inserted, screwed
Threaded hole	M12 x 1
Tightening torque	0,6 Nm
Kabelanslutning	rak
Material contact	Mässing

Side 2

Monteringsmetod	fältkopplingsbar
-----------------	------------------

Kommersiella uppgifter

URL Webshop	https://shop.murrelektronik.com/7000-P6391-0000000
GTIN	4048879653824
ECLASS-6.0	27279221
ECLASS-6.1	27260702
ECLASS-7.0	27440102
ECLASS-7.1	27440102
ECLASS-8.0	27440102
ECLASS-8.1	27440102
ECLASS-9.0	27440116
ECLASS-9.1	27440106
ECLASS-10.0.1	27440106
ECLASS-10.1	27440102
ECLASS-11.0	27440106
ECLASS-11.1	27440102
ECLASS-12.0	27440116
ECLASS-13.0	27440106
ECLASS-14.0	27440106
ETIM-5.0	EC002635
ETIM-6.0	EC002635
ETIM-7.0	EC002635
ETIM-8.0	EC002635
EAN	4048879653824
Förpackningsenhet	1
Kundens tullnummer	85366990

Electrical data | Supply

Operating voltage AC max.	600 V
Operating voltage DC max.	600 V
Current operating per contact max.	12 A

Diagnostics

Status indication LED	No
-----------------------	----

Installation

Cross section connection with wire end ferrule max.	1,5 mm ²
Cross section connection with wire end ferrule AWG max.	16 AWG
Cross section connection without wire end ferrule max.	2,5 mm ²
Cross section connection without wire end ferrule AWG max.	14 AWG

Installation | Connection

Tightening torque	0,6 Nm
-------------------	--------

Monteringssats	M12 x 1
Width across flats	SW18
Device protection Electrical	
Degree of protection (EN IEC 60529)	IP67
Additional condition protection degree	inserted, screwed
Försmutningsgrad	3
Overvoltage category (EN 60950-1)	III
Rated surge voltage	6 kV
Material group (IEC 60664-1)	II
Mechanical data Material data	
Material housing	PA
Mechanical data Mounting data	
Height	63 mm
Width	20 mm
Depth	20 mm
Monteringsmetod	inserted, screwed, Shaking protection
Clamping range min.	8 mm
Clamping range max.	10 mm
Environmental characteristics Climatic	
Operating temperature min.	-40 °C
Operating temperature max.	85 °C
Important installation notes	
Note on bending radius	Attention: Observe the permissible bending radii when laying cables, as the IP protection class can be endangered by excessive bending forces.
Note on strain relief	Protect the connectors by suitable measures from mechanical loads, e.g. by the usage of cable ties.