

**M12 Power female 0° S-cod. with cable**

PUR 4x1.5 bk UL/CSA+drag ch. 25m

Art.Nr.: 7000-P6221-P062500

Vikt: 2,629 kg

Tillverknings land: DE

Modellbeteckning: MSWBSL0-TP06\_25.0

Hona rak

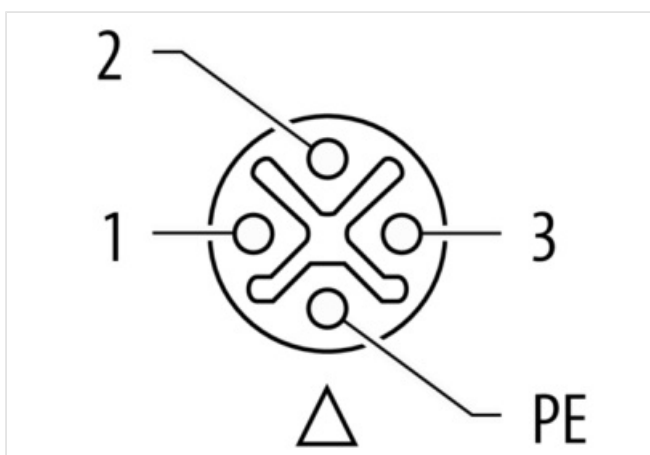
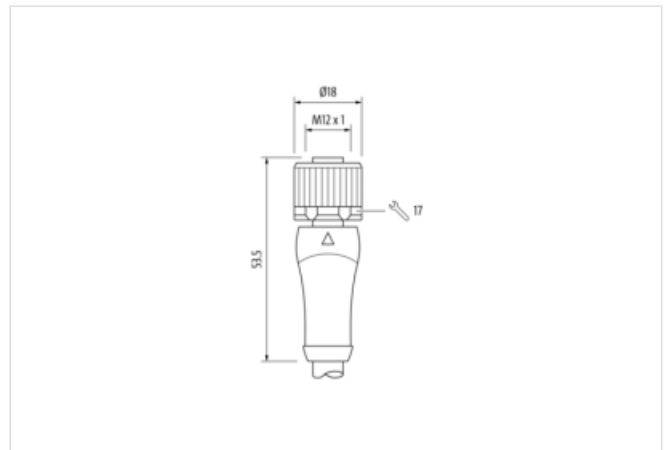
M12, 4-polig

S-kodad

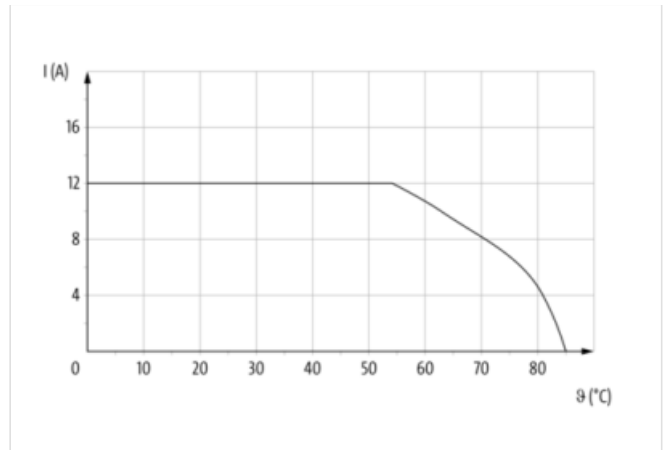
Husmaterialet är i plast med god kemisk-och oljebeständighet

Vid förekomst av aggressiv media är materialbeständighet applikationsavhängig och ska undersökas. Vidare information på begäran.

Ytterligare kabellängder kan fås på begäran.

**[Länk till produkt](#)****Illustration**

1	BN 1
2	WH 2
3	BU 3
PE	GN YE



Produkten kan skilja sig från bilden



Kabellängd	25,00 m
<b>Side 1</b>	
Family construction form	M12P
Antal poler	4
Kodning	S
Gender	female
Monteringsmetod	inserted, screwed
Threaded hole	M12 x 1
Tightening torque	0,6 Nm
Width across flats	SW17
Kabelanslutning	rak
suitable for corrugated tube (internal Ø)	12 mm
Material contact	Copper alloy
Coating contact	gold plated
Degree of protection (EN IEC 60529)	IP67, IP65, IP69K
<b>Side 2</b>	
Family construction form	free cable end
Stripping length (jacket)	100 mm

Kommersiella uppgifter	
URL Webshop	<a href="https://shop.murrelektronik.com/7000-P6221-P062500">https://shop.murrelektronik.com/7000-P6221-P062500</a>
GTIN	4048879669283
ECLASS-6.0	27279218
ECLASS-6.1	27279218
ECLASS-7.0	27279218
ECLASS-7.1	27279218
ECLASS-8.0	27279218
ECLASS-8.1	27279218
ECLASS-9.0	27060327
ECLASS-9.1	27060311
ECLASS-10.0.1	27060311
ECLASS-10.1	27060311
ECLASS-11.0	27060311
ECLASS-11.1	27060311
ECLASS-12.0	27060327
ECLASS-13.0	27060311
ECLASS-14.0	27060311
ETIM-5.0	EC001855
ETIM-6.0	EC001855
ETIM-7.0	EC001855
ETIM-8.0	EC001855
EAN	4048879669283
Förpackningsenhet	1
Kundens tullnummer	85444290
Electrical data   Supply	
Operating voltage AC max.	600 V
Current operating per contact max.	12 A
Diagnostics	
Status indication LED	No
Installation   Connection	
Width across flats	SW17
Mating cycles min.	100
Device protection   Electrical	
Degree of protection (EN IEC 60529)	IP65, IP67, IP69K
Additional condition protection degree	inserted, screwed
Försmutningsgrad	3
Rated surge voltage	6 kV
Material group (IEC 60664-1)	I
Mechanical data   Material data	
housing	PUR
Material screw connection	Mässing
Coating of fitting	nickel plated
Material guarnizione	FKM
Mechanical data   Mounting data	
Monteringsmetod	inserted, screwed, Shaking protection
Environmental characteristics   Climatic	
Operating temperature min.	-30 °C
Operating temperature max.	85 °C
Additional condition temperature range	depending on cable quality
Important installation notes	

Note on bending radius	<b>Attention:</b> Observe the permissible bending radii when laying cables, as the IP protection class can be endangered by excessive bending forces.
Note on strain relief	Protect the connectors by suitable measures from mechanical loads, e.g. by the usage of cable ties.
<b>Conformity</b>	
Product standard	EN IEC 61076-2-111
<b>Installation   Cable</b>	
Cable identification	P06
Kabeltyp	3
Function cable	Power
Stranding	1 × 4 wires stranded
Wire arrangement	green-yellow, blue 3, white 2, brown 1
Cable weight	104 g/m
Material wire insulation	PP
Amount wires	4
Outer diameter insulation	2,3 mm
Outer diameter tolerance core insulation	± 0,1 mm
Shore hardness wire insulation	60 ± 5 Shore D
Ingredient freeness wire insulation	halogenfri
Printing color of wire insulation	white (isolation blue), white (isolation brown), black (white isolation)
Amount strands (wire)	84
Diameter of single wires	0,15 mm
Conductor crosssection (wire)	1,5 mm <sup>2</sup>
Material conductor wire	Stranded copper wire, bare
Conductor type (wire)	strand class 6
Outer-diameter (jacket)	7,2 mm
Tolerance outer diameter (sheath)	± 5 %
Material mantel	PUR
Durezza rivestimento	90 ± 5 Shore A
Freedom from ingredients (jacket)	halogenfri
Material property (jacket)	abrasion-resistant, low adhesion, good machinability, matte
Conductor resistance (wire)	13.3 Ω/km @ 20 °C
Nominal voltage max.	1.000 V
Withstand voltage (wire - wire)	10 kV @ 60 s
Withstand voltage (wire - jacket)	10 kV @ 60 s
Current load capacity (standard)	to DIN VDE 0298-4
Current load capacity max. (wire)	14,4 A
Operating temperature min. (static)	-50 °C
Operating temperature max. (static)	80 °C / 90 °C @ 10000 h Operation
Operating temperature min. (dynamic)	-25 °C
Operating temperature max. (dynamic)	80 °C / 90 °C @ 10000 h Operation
Flame resistance	IEC 60332-1-2, IEC 60332-2-2, UL 1581 § 1080, CSA FT2
Oil resistance	IEC 60811-404
Chemical resistance	good
Other resistances	good resistance to gasoline, resistant to hydrolysis, resistant to microbes
Böjradie (fixerad)	5 × Outer diameter
Böjradie (vid rörelse)	10 × Outer diameter
No. of bending cycles (C-track)	5 Mio. @ 25 °C
Traversing distance (C-track)	5 m @ 25 °C
Travel speed (C-track)	3.3 m/s @ 25 °C
Acceleration (C-track)	5 m/s <sup>2</sup> @ 25 °C
No. of torsion cycles	5 Mio.
Torsion stress	± 180 °/m
Torsion speed	35 cycles/min