

**M12 Power male 0° / female 0° L-cod.**

PUR 5x1.5 bk UL/CSA+drag ch. 0.6m

Art.Nr.: 7000-P4241-P040060

Vikt: 0,138 kg

Tillverknings land: DE

Modellbeteckning: MSWBLL0-WAL-UP04\_0.6

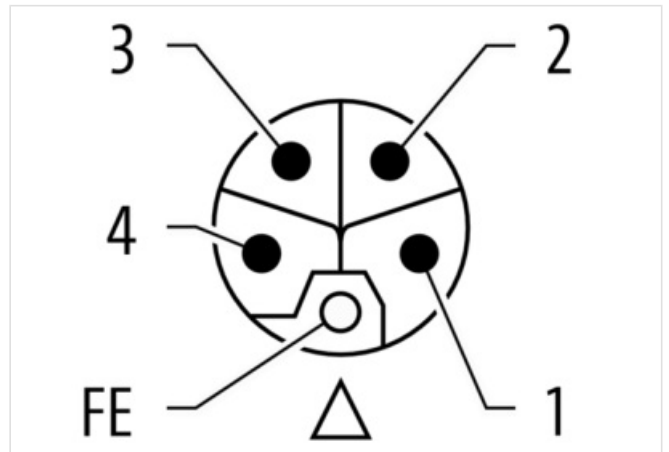
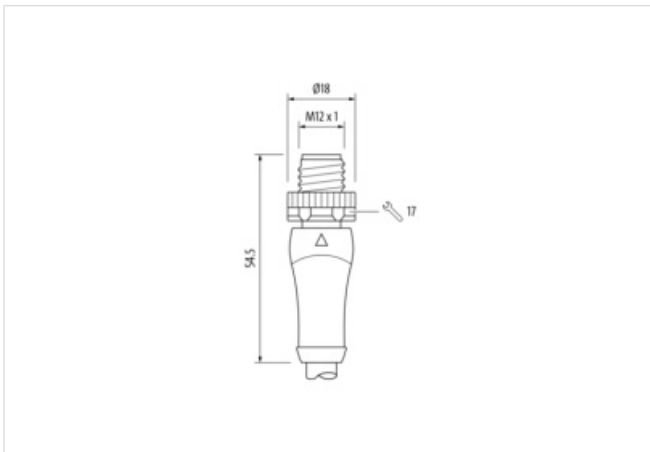
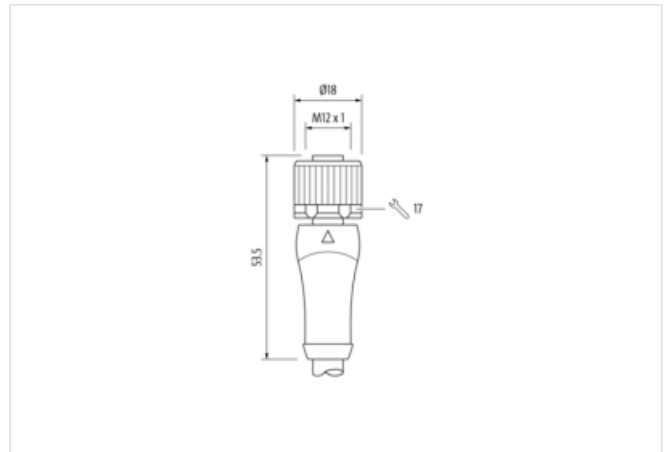
M12 - M12, 5-polig

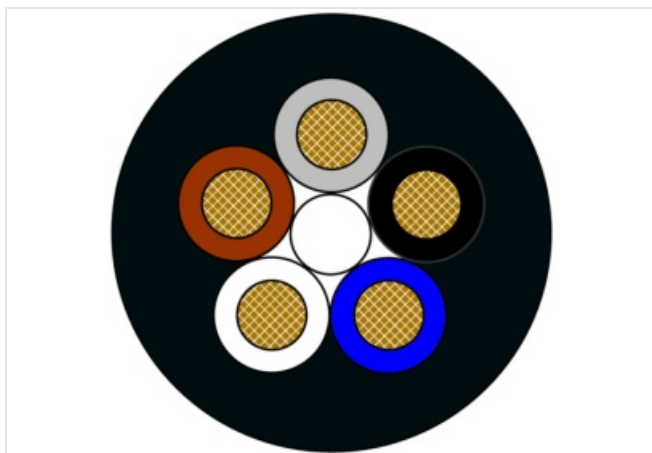
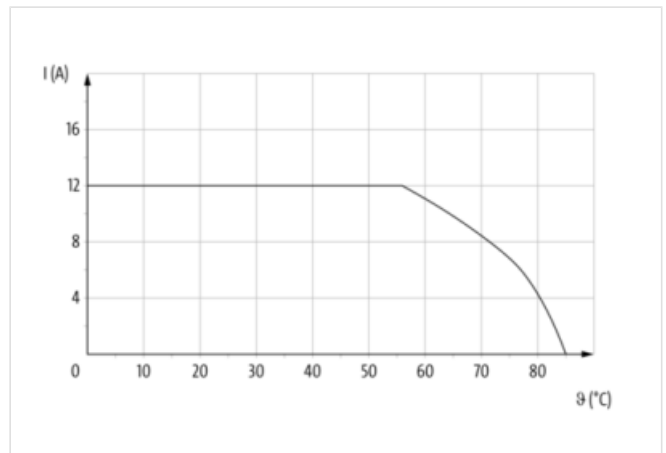
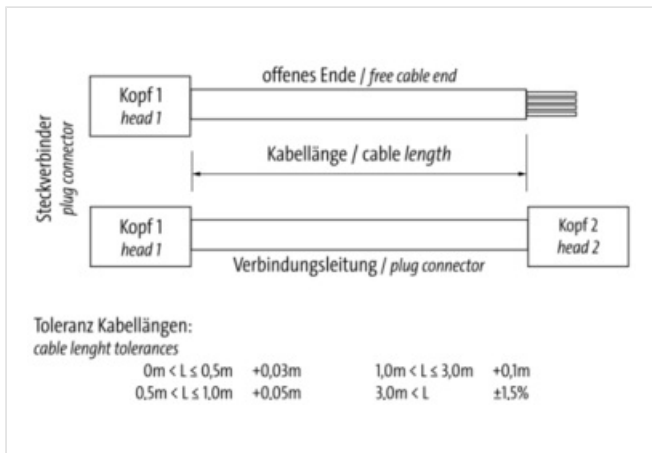
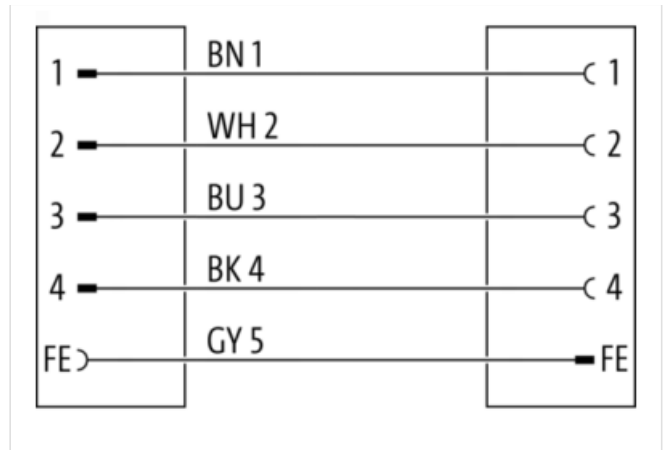
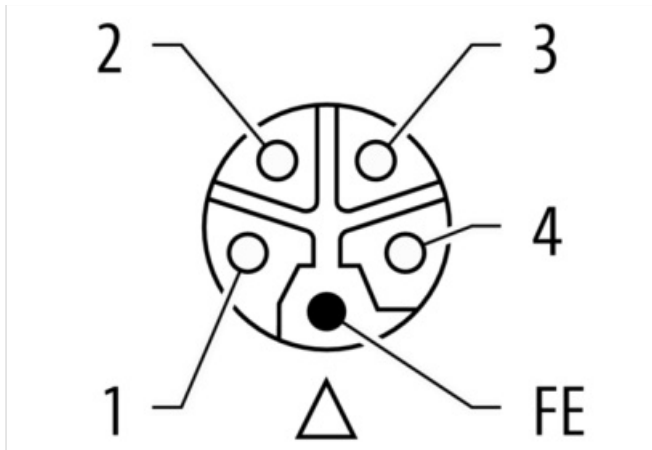
Hane rak, till rak hona

Husmaterialet är i plast med god kemisk-och oljebeständighet

Vid förekomst av aggressiv media är materialbeständighet applikationsavhängig och ska undersökas. Vidare information på begäran.

Ytterligare kabellängder kan fås på begäran.

**[Länk till produkt](#)****Illustration**



Produkten kan skilja sig från bilden



Kabellängd 0,60 m

**Side 1**

Family construction form M12P

Antal poler	5
Kodning	L
Gender	male
Monteringsmetod	inserted, screwed
Threaded hole	M12 x 1
Tightening torque	0,6 Nm
Width across flats	SW17
Kabelanslutning	rak
suitable for corrugated tube (internal Ø)	12 mm
Material	PUR
Material contact	Copper alloy
Coating contact	gold plated
Degree of protection (EN IEC 60529)	IP65, IP66K, IP67, IP69K

**Side 2**

Family construction form	M12P
Antal poler	5
Kodning	L
Gender	female
Monteringsmetod	inserted, screwed
Threaded hole	M12 x 1
Tightening torque	0,6 Nm
Width across flats	SW17
Kabelanslutning	rak
suitable for corrugated tube (internal Ø)	12 mm
Material	PUR
Material contact	Copper alloy
Coating contact	gold plated
Degree of protection (EN IEC 60529)	IP65, IP66K, IP67, IP69K

**Kommersiella uppgifter**

URL Webshop	<a href="https://shop.murrelektronik.com/7000-P4241-P040060">https://shop.murrelektronik.com/7000-P4241-P040060</a>
GTIN	4065909012543
Customs tariff number	85444290
ECLASS-6.0	27279218
ECLASS-6.1	27279218
ECLASS-7.0	27279218
ECLASS-7.1	27279218
ECLASS-8.0	27279218
ECLASS-8.1	27279218
ECLASS-9.0	27060327
ECLASS-9.1	27060311
ECLASS-10.0.1	27060311
ECLASS-10.1	27060311
ECLASS-11.0	27060311
ECLASS-11.1	27060311
ECLASS-12.0	27060327
ECLASS-13.0	27060311
ECLASS-14.0	27060311
ETIM-5.0	EC001855
ETIM-6.0	EC001855
ETIM-7.0	EC001855
ETIM-8.0	EC001855
EAN	4065909012543
Förpackningsenhet	1

Kundens tullnummer 85444290

**Electrical data | Supply**

Operating voltage DC max.	63 V
Current operating per contact max.	12 A

**Installation | Connection**

Width across flats	SW17
Mating cycles min.	100

**Device protection | Electrical**

Degree of protection (EN IEC 60529)	IP65, IP66K, IP67, IP69K
Additional condition protection degree	inserted, screwed
Försmutningsgrad	3
Rated surge voltage	1,5 kV
Material group (IEC 60664-1)	I

**Mechanical data | Material data**

housing	PUR
Screw connection	Mässing
Coating of fitting	nickel plated
Material guarnizione	FKM

**Mechanical data | Mounting data**

Monteringsmetod	inserted, screwed, Shaking protection
-----------------	---------------------------------------

**Environmental characteristics | Climatic**

Operating temperature min.	-30 °C
Operating temperature max.	85 °C
Additional condition temperature range	depending on cable quality

**Important installation notes**

Note on bending radius	<b>Attention:</b> Observe the permissible bending radii when laying cables, as the IP protection class can be endangered by excessive bending forces.
Note on strain relief	Protect the connectors by suitable measures from mechanical loads, e.g. by the usage of cable ties.

**Conformity**

Product standard	EN IEC 61076-2-111
------------------	--------------------

**Installation | Cable**

Cable identification	P04
Kabeltyp	3
Function cable	Power
Cable weight	118 g/m
UL AWM Style	21223 / 10492
Stranding	1 × 5 wires around core filler twisted
Filler	Yes
Wire arrangement	BN 1, GY 5, BK 4, BU 3, WH 2
Material wire insulation	PP
Amount wires	5
Outer diameter insulation	2.3 mm ± 0.1 mm
Conductor crosssection (wire)	1,5 mm <sup>2</sup>
Material conductor wire	Stranded copper wire, bare
Core construction (wire)	84 × 0.15 mm
Ingredient freeness wire insulation	halogenfri
Material mantel	PUR
Outer-diameter (jacket)	8.2 mm ± 5 %
Mantelfärg	black / RAL 9005
Freedom from ingredients (jacket)	halogenfri
Material property (jacket)	abrasion-resistant, low adhesion, good machinability, matte

Conductor resistance (wire)	13.3 $\Omega$ /km @ 20 °C
Nominal voltage max.	1.000 V
Withstand voltage (wire - wire)	10 kV @ 60 s
Withstand voltage (wire - jacket)	10 kV @ 60 s
Current load capacity max. (wire)	13,5 A
Current load capacity (standard)	to DIN VDE 0298-4
Operating temperature (static)	-50 °C ... 80 °C / 90 °C @ 10000 h Operation
Operating temperature (dynamic)	-25 °C ... 80 °C / 90 °C @ 10000 h Operation
Flame resistance	IEC 60332-1-2, IEC 60332-2-2, UL 1581 § 1080, CSA FT2
Oil resistance	IEC 60811-404
Chemical resistance	good
Other resistances	good resistance to gasoline, resistant to hydrolysis, resistant to microbes
Kommentarer	application-related testing
Böjradie (fixerad)	5 × Outer diameter
Böjradie (vid rörelse)	10 × Outer diameter
No. of bending cycles (C-track)	5 Mio. @ 25 °C
Traversing distance (C-track)	5 m @ 25 °C
Travel speed (C-track)	3.3 m/s @ 25 °C
Acceleration (C-track)	5 m/s <sup>2</sup> @ 25 °C
No. of torsion cycles	5 Mio.
Torsion stress	± 180 °/m
Torsion speed	35 cycles/min