

MSUD valve plug CI-9.4mm with cable

PVC 3x0.75 bk 3m

Art.Nr.: 7000-94061-6160300

Vikt: 0,186 kg

Tillverknings land: CZ

Modellbeteckning: MSUDK-QB5K-616_3.0

MSUD

Typ CI (9.4 mm)

0...230 V AC/DC

utan komponenter

3-polig

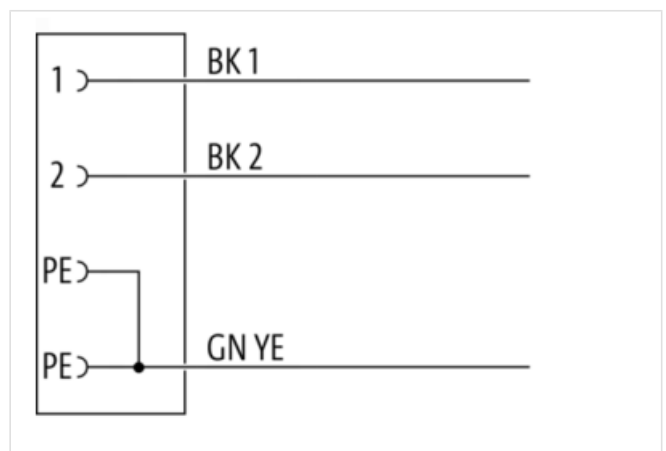
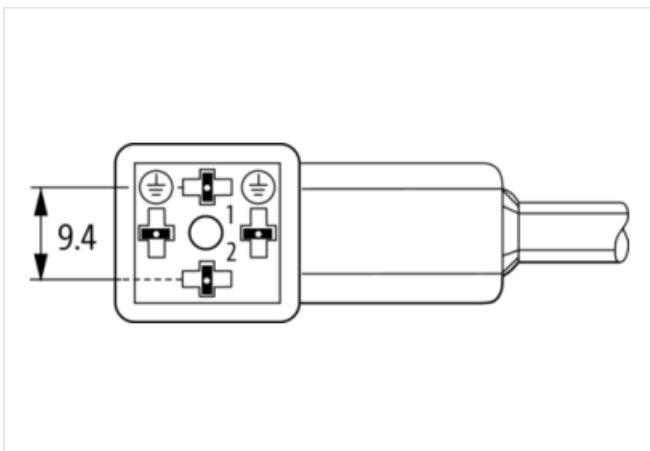
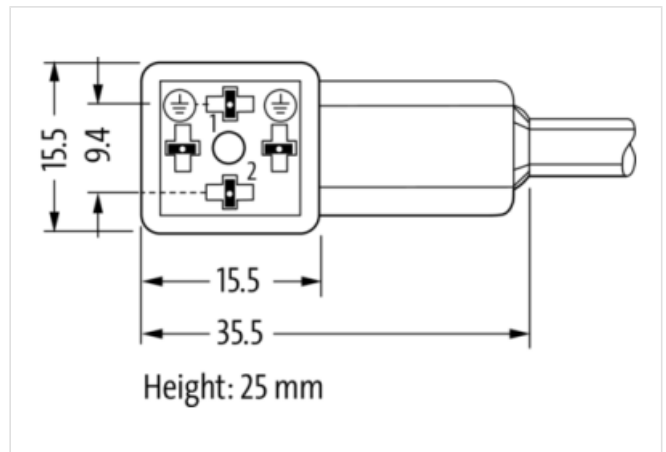
PE byglad

utan märkhylsa

Ytterligare kabellängder kan fås på begäran.

Husmaterialet är i plast med god kemisk-och oljebeständighet

Vid förekomst av aggressiv media är materialbeständighet applikationsavhängig och ska undersökas. Vidare information på begäran.

[Länk till produkt](#)**Illustration**



Produkten kan skilja sig från bilden



Kabellängd 3,00 m

Side 1

Threaded hole M3x31
Tightening torque 0,4 Nm

Kommersiella uppgifter

URL Webshop	https://shop.murrelektronik.com/7000-94061-6160300
GTIN	4048879114530
ECLASS-6.0	27279218
ECLASS-6.1	27279218
ECLASS-7.0	27279218
ECLASS-7.1	27279218
ECLASS-8.0	27279218
ECLASS-8.1	27279218
ECLASS-9.0	27060312
ECLASS-9.1	27060312
ECLASS-10.0.1	27060312
ECLASS-10.1	27060312
ECLASS-11.0	27060312
ECLASS-11.1	27060312
ECLASS-12.0	27060312
ECLASS-13.0	27060312
ECLASS-14.0	27060312
ETIM-5.0	EC001855
ETIM-6.0	EC001855
ETIM-7.0	EC001855
ETIM-8.0	EC001855
EAN	4048879114530
Förpackningsenhet	1
Kundens tullnummer	85444290

Electrical data | Supply

Operating voltage AC max. 230 V
Operating voltage DC max. 230 V

Current operating per contact max. 6 A

Device protection | Electrical

Degree of protection (EN IEC 60529)	IP67
Additional condition protection degree	inserted, screwed
Försmutningsgrad	2
Rated surge voltage	2,5 kV
Material group (IEC 60664-1)	II

Mechanical data

Contour for corrugated hose utan

Mechanical data | Material data

housing	PBT
Color housing	black
Låsningsmaterial	Steel
Coating locking	galvanized
Material guarnizione	PUR

Mechanical data | Mounting data

Monteringsmetod inserted, screwed

Environmental characteristics | Climatic

Operating temperature min.	-25 °C
Operating temperature max.	85 °C
Additional condition temperature range	depending on cable quality

Important installation notes

Note on bending radius	Attention: Observe the permissible bending radii when laying cables, as the IP protection class can be endangered by excessive bending forces.
Note on strain relief	Protect the connectors by suitable measures from mechanical loads, e.g. by the usage of cable ties.
Note on mounting	The valve plug may only be plugged in or unplugged when the power is off!

Installation | Cable

Cable identification	616
Kabeltyp	1
Stranding	1 × 3 wires stranded
Wire arrangement	black 1, black 2, green-yellow
Cable weight	56 g/m
Material wire insulation	PVC
Amount wires	3
Outer diameter insulation	1,8 mm
Outer diameter tolerance core insulation	± 0,1 mm
Shore hardness wire insulation	43 ± 5 Shore D
Material properties wire insulation	good machinability
Ingredient freeness wire insulation	lead-free, cadmium-free, CFC-free, silicone-free
Printing color of wire insulation	white (isolation black)
Amount strands (wire)	24
Diameter of single wires	0,2 mm
Conductor crosssection (wire)	0,75 mm ²
Material conductor wire	Stranded copper wire, bare
Conductor type (wire)	Strand class 5
Outer-diameter (jacket)	5,9 mm
Tolerance outer diameter (sheath)	± 5 %
Material mantel	PVC
Durezza rivestimento	80 ± 5 Shore A
Freedom from ingredients (jacket)	lead-free, cadmium-free, CFC-free, silicone-free
Material property (jacket)	good machinability
Conductor resistance (wire)	26 Ω/km @ 20 °C

Max. rated voltage (conductor - ground)	300 V
Max. rated voltage (conductor - conductor)	500 V
Withstand voltage (wire - wire)	3 kV @ 60 s
Withstand voltage (wire - jacket)	3 kV @ 60 s
Current load capacity (standard)	to DIN VDE 0298-4
Current load capacity max. (wire)	12 A
Operating temperature min. (static)	-30 °C
Operating temperature max. (static)	70 °C
Operating temperature min. (dynamic)	-5 °C
Operating temperature max. (dynamic)	70 °C
Oil resistance	good
Chemical resistance	good
Other resistances	good resistance to gasoline
Böjradie (fixerad)	5 × Outer diameter
Böjradie (vid rörelse)	10 × Outer diameter