

M8 male 0° A-cod. / RJ45 male 0° shielded

PUR 1x4xAWG26 shielded gn UL/CSA+drag ch. 1m

Art.Nr.: 7000-89721-7910100

Vikt: 0,050 kg

Tillverknings land: CZ

Modellbeteckning: MSRAL0-H-*791_1.0

Hane rak - hane rak

M8, 4-polig - RJ45, 8/4-polig

Skärmad

Ethernet CAT5

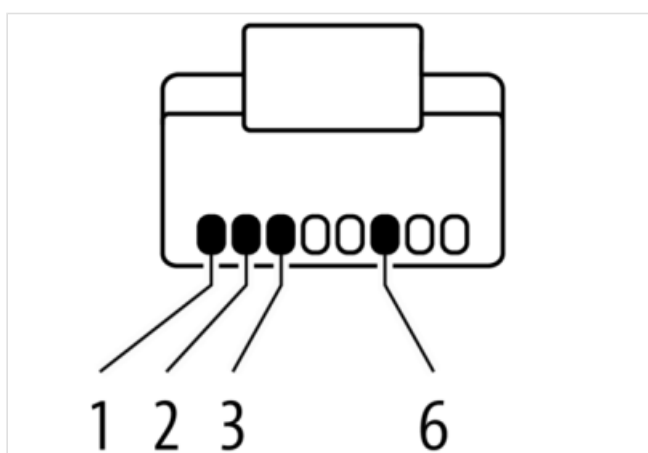
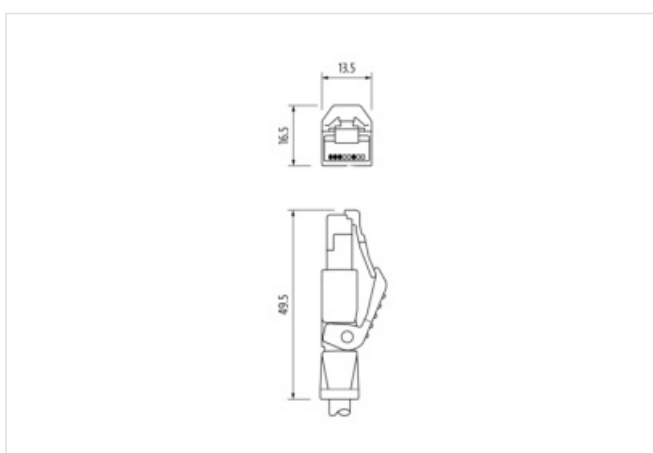
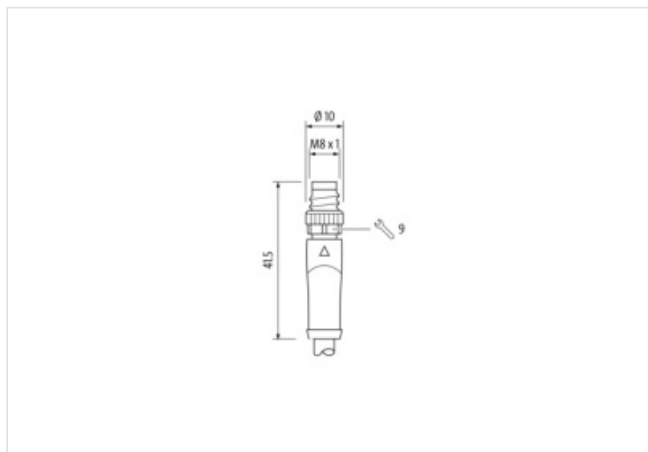
Ytterligare kabellängder kan fås på begäran.

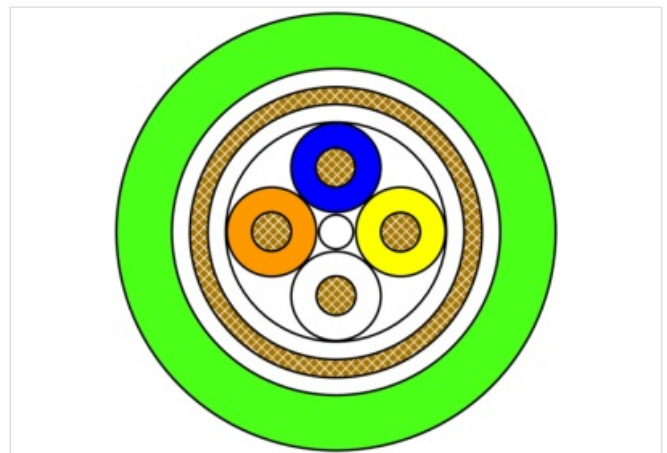
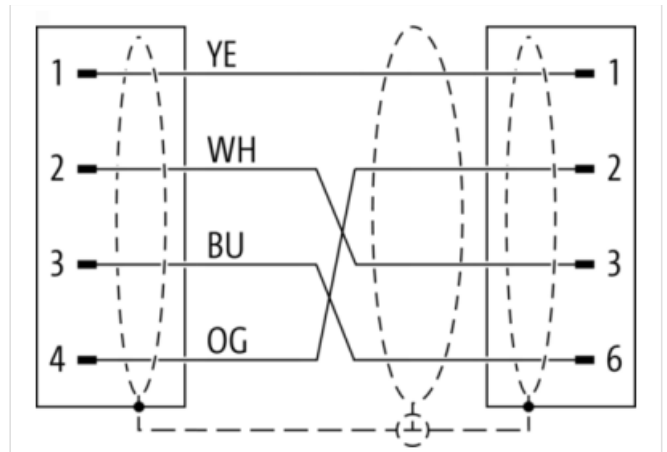
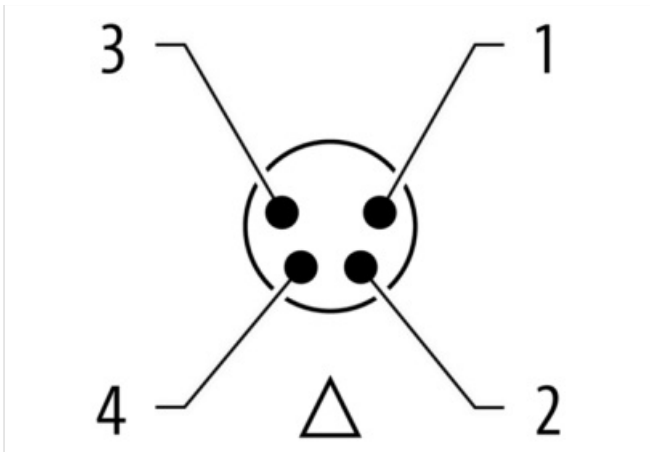
Husmaterialet är i plast med god kemisk-och oljebeständighet

Vid förekomst av aggressiv media är materialbeständighet applikationsavhängig och ska undersökas. Vidare information på begäran.

[Länk till produkt](#)

Illustration





Produkten kan skilja sig från bilden



Kabellängd	1,00 m
Side 1	
Family construction form	M8
Antal poler	4
Kodning	A
Gender	male
Monteringsmetod	pluggable, inserted, screwed
Threaded hole	M8 x 1
Tightening torque	0,4 Nm
Width across flats	SW9
Kabelanslutning	rak
suitable for corrugated tube (internal Ø)	8,5 mm
Degree of protection (EN IEC 60529)	IP67, IP66K, IP65
Side 2	
Family construction form	RJ45
Antal poler	4
Monteringsmetod	pluggable
Kabelanslutning	rak

Degree of protection (EN IEC 60529) IP20

Kommersiella uppgifter	
URL Webshop	https://shop.murrelektronik.com/7000-89721-7910100
GTIN	4048879403429
ECLASS-6.0	27061801
ECLASS-6.1	27060307
ECLASS-7.0	27060307
ECLASS-7.1	27060307
ECLASS-8.0	27060307
ECLASS-8.1	27060307
ECLASS-9.0	27060307
ECLASS-9.1	27060307
ECLASS-10.0.1	27060307
ECLASS-10.1	27060307
ECLASS-11.0	27060307
ECLASS-11.1	27060307
ECLASS-12.0	27060307
ECLASS-13.0	27060307
ECLASS-14.0	27060307
ETIM-5.0	EC002599
ETIM-6.0	EC002599
ETIM-7.0	EC002599
ETIM-8.0	EC002599
EAN	4048879403429
Förpackningsenhet	1
Kundens tullnummer	85444290

Electrical data Supply	
Operating voltage DC max.	60 V
Current operating per contact max.	1,5 A

Industrial Communication	
Överföringsparametrar	CAT5, Class D (ISO/IEC 11801:2002), (EN 50173-1)

Device protection Electrical	
Försmutningsgrad	3
Rated surge voltage	1 kV
Material group (IEC 60664-1)	I

Mechanical data Material data	
Material housing	PUR
Color housing	black
Color contact carrier	grön
Låsningmaterial	Mässing
Coating locking	nickel plated

Mechanical data Mounting data	
Monteringsmetod	inserted, screwed, Shaking protection

Environmental characteristics Climatic	
Operating temperature min.	-30 °C
Operating temperature max.	85 °C
Additional condition temperature range	depending on cable quality

Important installation notes	
Note on bending radius	Attention: Observe the permissible bending radii when laying cables, as the IP protection class can be endangered by excessive bending forces.
Note on strain relief	Protect the connectors by suitable measures from mechanical loads, e.g. by the usage of cable ties.

Conformity	
Product standard	EN/IEC 61076-2-104 (M8), EN IEC 60603-7 (RJ45)
Installation Cable	
Cable identification	791
Function cable	Data
Stranding	1 × 4 wires around core filler twisted
Cable shielding (type)	copper braid, tinned
Cable shielding (coverage)	85 %
Banding	Fiber tape, Fleece, Foil
Filler	Yes
Wire arrangement	orange, blue, yellow, white
Cable weight	34 g/m
Material wire insulation	PP
Amount wires	4
Outer diameter insulation	1,04 mm
Outer diameter tolerance core insulation	± 0,05 mm
Shore hardness wire insulation	55 ± 3 Shore D
Ingredient freeness wire insulation	halogenfri
Amount strands (wire)	19
Diameter of single wires	38 AWG
Conductor crosssection (wire)	26 AWG
Material conductor wire	Stranded copper wire, bare
Outer-diameter (jacket)	4,9 mm
Tolerance outer diameter (sheath)	± 5 %
Material mantel	PUR
Durezza rivestimento	90 ± 3 Shore A
Freedom from ingredients (jacket)	halogenfri
Conductor resistance (wire)	140 Ω/km @ 20 °C
Electric capacitance	51.000 pF/km
Isolationsmotstånd	5 GΩ × km
Nominal voltage max.	125 V
Withstand voltage (wire - wire)	0.7 kV @ 60 s
Withstand voltage (wire - jacket)	0.7 kV @ 60 s
Withstand voltage (wire - shield)	0.7 kV @ 60 s
Current load capacity (standard)	to DIN VDE 0298-4
Current load capacity max. (wire)	2,4 A
Characteristic impedance	100 Ω ± 15 % @ 1 MHz
Operating temperature min. (static)	-40 °C
Operating temperature max. (static)	80 °C
Operating temperature min. (dynamic)	-30 °C
Operating temperature max. (dynamic)	70 °C
Operating temperature min. (drag chain)	-30 °C
Operating temperature max. (drag chain)	70 °C
Flame resistance	UL 1581 § 1060, UL 1581 § 1090, UL 1581 § 1100
Oil resistance	IEC 60811-404
Chemical resistance	good
Other resistances	good resistance to gasoline
Böjradie (fixerad)	7.5 × Outer diameter
Böjradie (vid rörelse)	12.5 × Outer diameter
No. of bending cycles (C-track)	5 Mio. @ 25 °C
Traversing distance (C-track)	5 m @ 25 °C
Travel speed (C-track)	3 m/s @ 25 °C
Acceleration (C-track)	5 m/s ² @ 25 °C