

RJ45 male 0° / RJ45 male 0° shielded

FRNC/LS0H 2x2xAWG26 shielded gr 3m

Art.Nr.: 7000-74701-7770300

Vikt: 0,278 kg

Tillverknings land: HU

Modellbeteckning: MSRAL0-RA-8p4c777_3.0

Ethernet CAT5

Hane rak - hane rak

RJ45 - RJ45, 4-polig

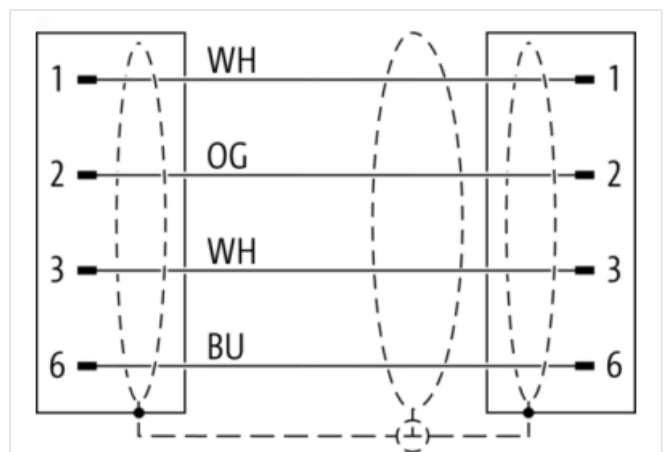
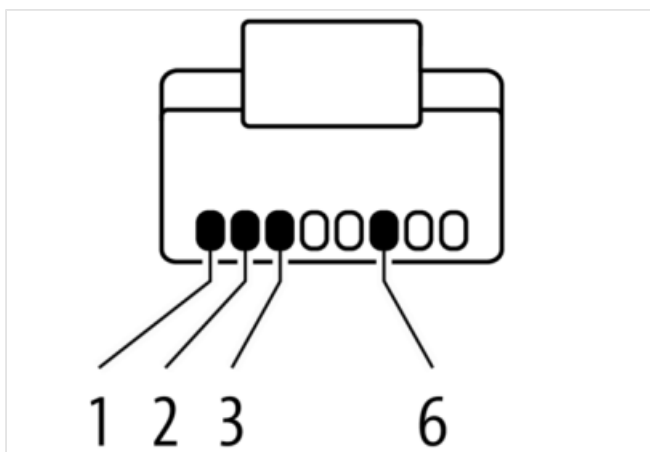
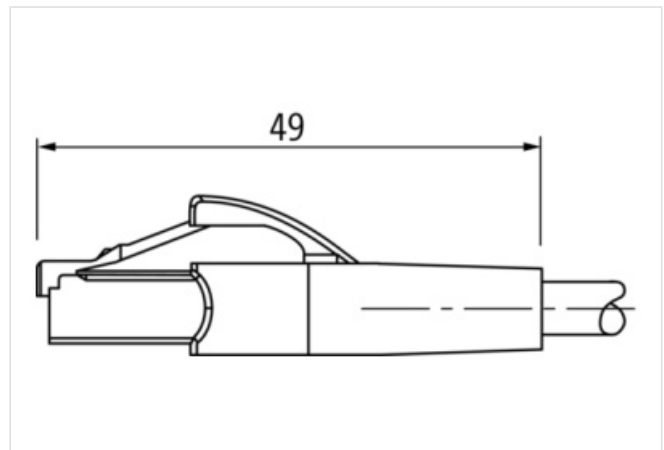
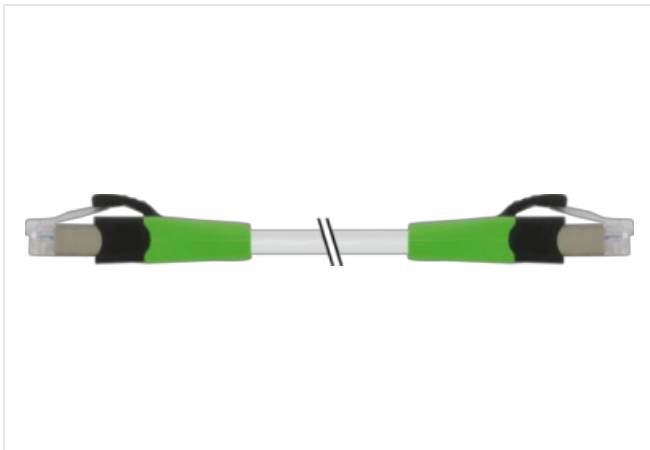
Skärmad

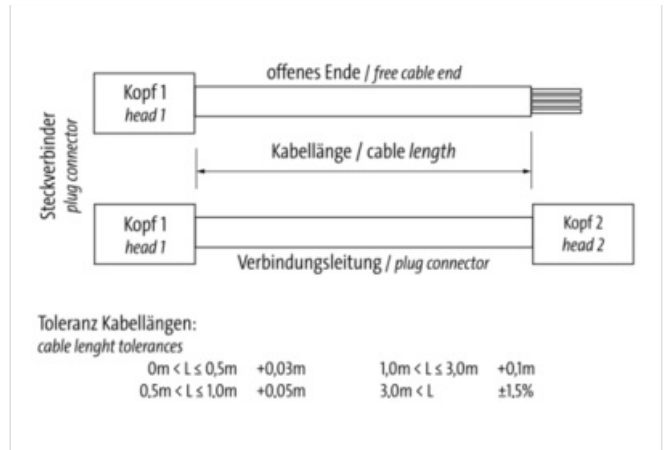
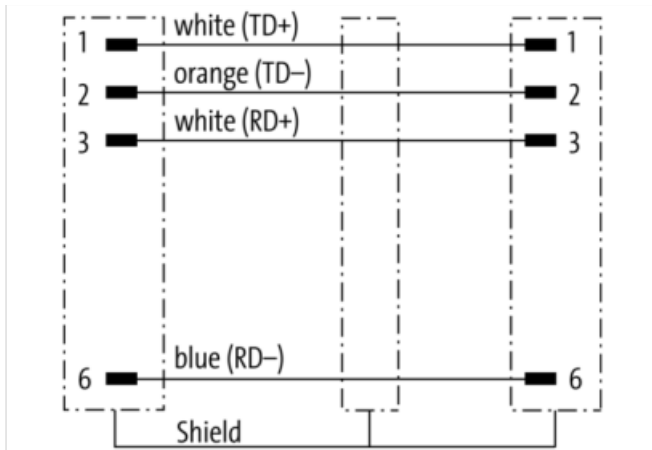
utan märkhylsa

Ytterligare kabellängder kan fås på begäran.

Husmaterialet är i plast med god kemisk-och oljebeständighet

Vid förekomst av aggressiv media är materialbeständighet applikationsavhängig och ska undersökas. Vidare information på begäran.

[Länk till produkt](#)**Illustration**



Produkten kan skilja sig från bilden



Kabellängd 3,00 m

Side 1

Family construction form	RJ45
Antal poler	4
Gender	male
Monteringsmetod	inserted
Kabelanslutning	rak
Degree of protection (EN IEC 60529)	IP20

Side 2

Family construction form	RJ45
Antal poler	4
Gender	male
Monteringsmetod	inserted
Kabelanslutning	rak
Degree of protection (EN IEC 60529)	IP20

Kommersiella uppgifter

URL Webshop	https://shop.murrelektronik.com/7000-74701-7770300
GTIN	4048879569972
ECLASS-6.0	27061801
ECLASS-6.1	27060307
ECLASS-7.0	27060307
ECLASS-7.1	27060307
ECLASS-8.0	27060307
ECLASS-8.1	27060307
ECLASS-9.0	27060307
ECLASS-9.1	27060307
ECLASS-10.0.1	27060307
ECLASS-10.1	27060307
ECLASS-11.0	27060307
ECLASS-11.1	27060307
ECLASS-12.0	27060307
ECLASS-13.0	27060307

ECLASS-14.0	27060307
ETIM-5.0	EC002599
ETIM-6.0	EC002599
ETIM-7.0	EC002599
ETIM-8.0	EC002599
EAN	4048879569972
Förpackningsenhet	1
Kundens tullnummer	85444210
Electrical data Supply	
Operating voltage DC max.	60 V
Current operating per contact max.	1,76 A
Industrial Communication	
Data transmission rate max.	100 Mbit/s
Överföringsparametrar	CAT5, Class D (ISO/IEC 11801:2002), (EN 50173-1)
Industrial communication Ethernet functionality	
duplex	Full duplex
Diagnostics	
Status indication LED	No
Device protection Electrical	
Degree of protection (EN IEC 60529)	IP20
Additional condition protection degree	inserted, screwed
Försmutningsgrad	3
Rated surge voltage	1 kV
Material group (IEC 60664-1)	I
Mechanical data	
Contour for corrugated hose	utan
Mechanical data Material data	
housing	PUR
Låsningmaterial	PA
Mechanical data Mounting data	
Looking techniques	Snäppplås
Environmental characteristics Climatic	
Operating temperature min.	-25 °C
Operating temperature max.	85 °C
Additional condition temperature range	depending on cable quality
Important installation notes	
Note on bending radius	Attention: Observe the permissible bending radii when laying cables, as the IP protection class can be endangered by excessive bending forces.
Note on strain relief	Protect the connectors by suitable measures from mechanical loads, e.g. by the usage of cable ties.
Installation Cable	
Cable identification	777
Stranding	2 Wires
Stranding (type 2)	1 Stranded joints
Wire arrangement	white, blue, white, orange
Cable weight	28,8 g/m
Material wire insulation	FRNC
Amount wires	4
Diameter of single wires	26 AWG
Conductor crosssection (wire)	26 AWG

Material conductor wire	Stranded copper wire, bare
Outer-diameter (jacket)	5 mm
Tolerance outer diameter (sheath)	± 5 %
Material mantel	FRNC
Operating temperature min. (static)	-20 °C
Operating temperature max. (static)	60 °C
Operating temperature min. (dynamic)	-20 °C
Operating temperature max. (dynamic)	60 °C
Böjradie (fixerad)	7.5 × Outer diameter