

**RJ45 male 0° / RJ45 male 0° shielded**

FRNC/LS0H 2x2xAWG26 shielded gr 0,6m

Art.Nr.: 7000-74701-7770060

Vikt: 0,142 kg

Tillverknings land: HU

Modellbeteckning: MSRAL0-RA-8p4c777\_0.6

Ethernet CAT5

Hane rak - hane rak

RJ45 - RJ45, 4-polig

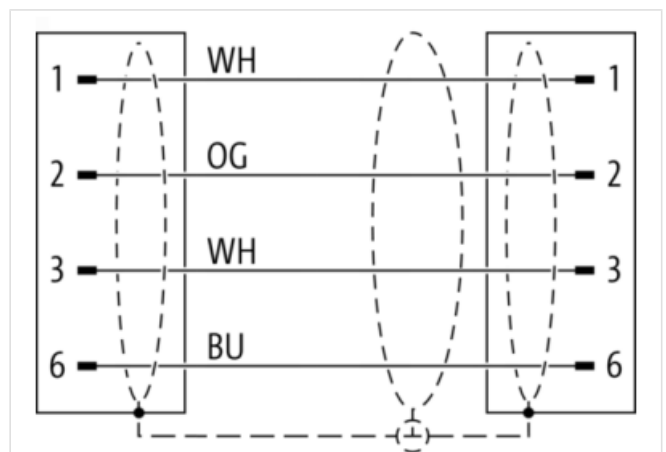
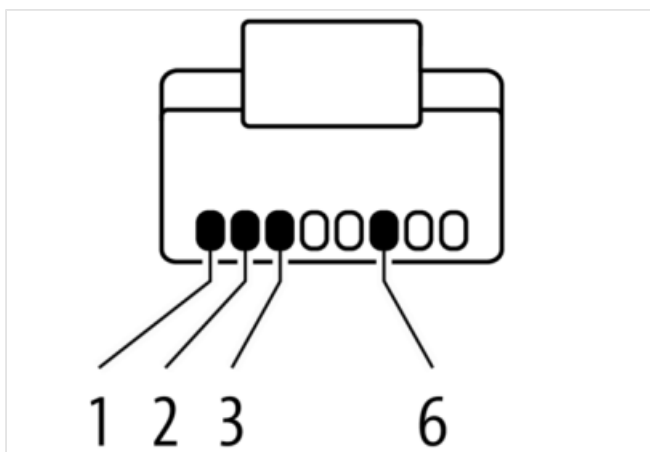
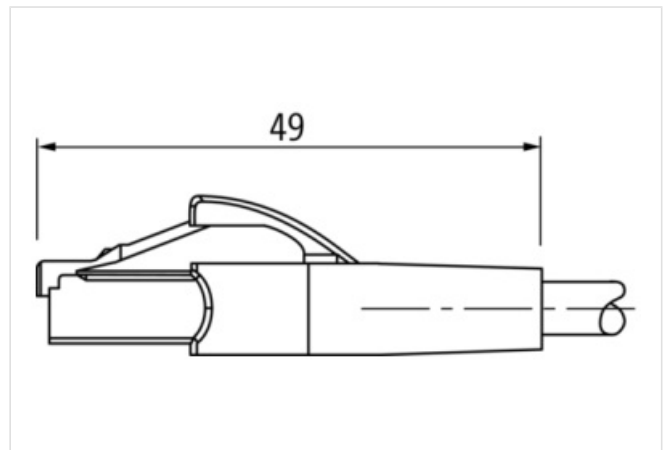
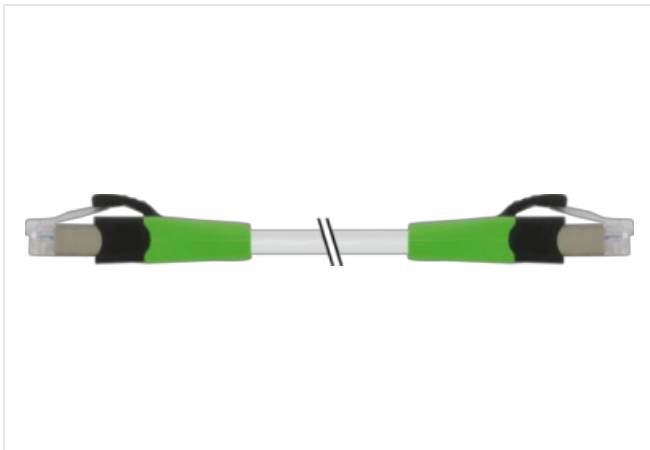
Skärmad

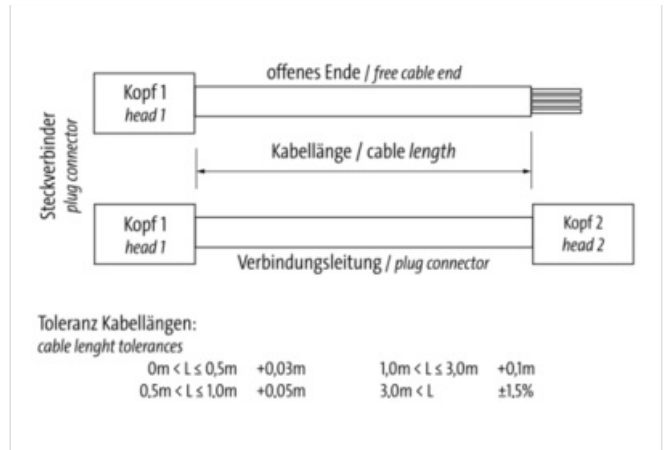
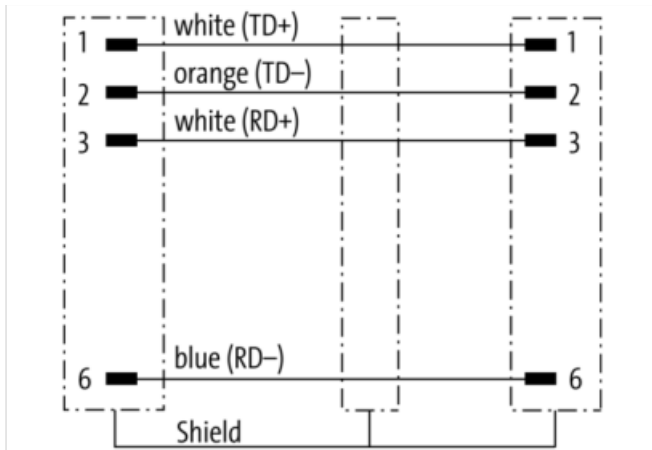
utan märkhylsa

Ytterligare kabellängder kan fås på begäran.

Husmaterialet är i plast med god kemisk-och oljebeständighet

Vid förekomst av aggressiv media är materialbeständighet applikationsavhängig och ska undersökas. Vidare information på begäran.

[Länk till produkt](#)**Illustration**



Produkten kan skilja sig från bilden



Kabellängd 0,60 m

**Side 1**

Family construction form	RJ45
Antal poler	4
Gender	male
Monteringsmetod	inserted
Kabelanslutning	rak
Degree of protection (EN IEC 60529)	IP20

**Side 2**

Family construction form	RJ45
Antal poler	4
Gender	male
Monteringsmetod	inserted
Kabelanslutning	rak
Degree of protection (EN IEC 60529)	IP20

**Kommersiella uppgifter**

URL Webshop	<a href="https://shop.murrelektronik.com/7000-74701-7770060">https://shop.murrelektronik.com/7000-74701-7770060</a>
GTIN	4048879569934
ECLASS-6.0	27061801
ECLASS-6.1	27060307
ECLASS-7.0	27060307
ECLASS-7.1	27060307
ECLASS-8.0	27060307
ECLASS-8.1	27060307
ECLASS-9.0	27060307
ECLASS-9.1	27060307
ECLASS-10.0.1	27060307
ECLASS-10.1	27060307
ECLASS-11.0	27060307
ECLASS-11.1	27060307
ECLASS-12.0	27060307
ECLASS-13.0	27060307

ECLASS-14.0	27060307
ETIM-5.0	EC002599
ETIM-6.0	EC002599
ETIM-7.0	EC002599
ETIM-8.0	EC002599
EAN	4048879569934
Förpackningsenhet	1
Kundens tullnummer	85444210
<b>Electrical data   Supply</b>	
Operating voltage DC max.	60 V
Current operating per contact max.	1,76 A
<b>Industrial Communication</b>	
Data transmission rate max.	100 Mbit/s
Överföringsparametrar	CAT5, Class D (ISO/IEC 11801:2002), (EN 50173-1)
<b>Industrial communication   Ethernet functionality</b>	
duplex	Full duplex
<b>Diagnostics</b>	
Status indication LED	No
<b>Device protection   Electrical</b>	
Degree of protection (EN IEC 60529)	IP20
Additional condition protection degree	inserted, screwed
Försmutningsgrad	3
Rated surge voltage	1 kV
Material group (IEC 60664-1)	I
<b>Mechanical data</b>	
Contour for corrugated hose	utan
<b>Mechanical data   Material data</b>	
housing	PUR
Låsningmaterial	PA
<b>Mechanical data   Mounting data</b>	
Looking techniques	Snäppplås
<b>Environmental characteristics   Climatic</b>	
Operating temperature min.	-25 °C
Operating temperature max.	85 °C
Additional condition temperature range	depending on cable quality
<b>Important installation notes</b>	
Note on bending radius	<b>Attention:</b> Observe the permissible bending radii when laying cables, as the IP protection class can be endangered by excessive bending forces.
Note on strain relief	Protect the connectors by suitable measures from mechanical loads, e.g. by the usage of cable ties.
<b>Installation   Cable</b>	
Cable identification	777
Stranding	2 Wires
Stranding (type 2)	1 Stranded joints
Wire arrangement	white, blue, white, orange
Cable weight	28,8 g/m
Material wire insulation	FRNC
Amount wires	4
Diameter of single wires	26 AWG
Conductor crosssection (wire)	26 AWG

Material conductor wire	Stranded copper wire, bare
Outer-diameter (jacket)	5 mm
Tolerance outer diameter (sheath)	± 5 %
Material mantel	FRNC
Operating temperature min. (static)	-20 °C
Operating temperature max. (static)	60 °C
Operating temperature min. (dynamic)	-20 °C
Operating temperature max. (dynamic)	60 °C
Böjradie (fixerad)	7.5 × Outer diameter