

RJ45 male 0° / RJ45 male 0° shielded

PUR 4x2xAWG26 shielded gn UL/CSA 65m

Art.Nr.: 7000-74311-7906500

Vikt: 3,011 kg

Tillverknings land: HU

Modellbeteckning: MSRAL0-RA-8p8c790_65.0

Hane rak - hane rak

RJ45 - RJ45, 8-polig

Skärmad

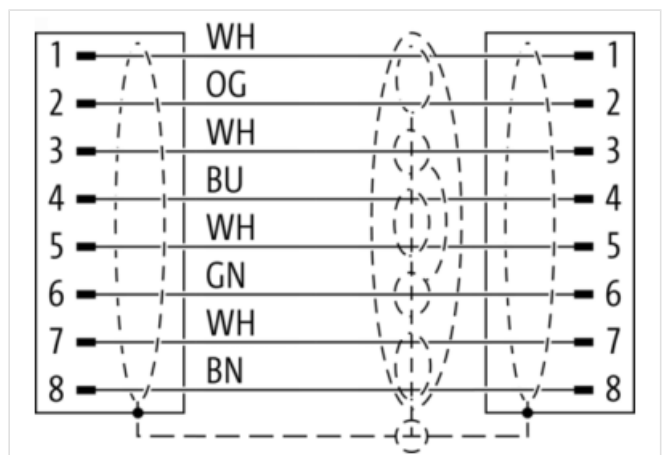
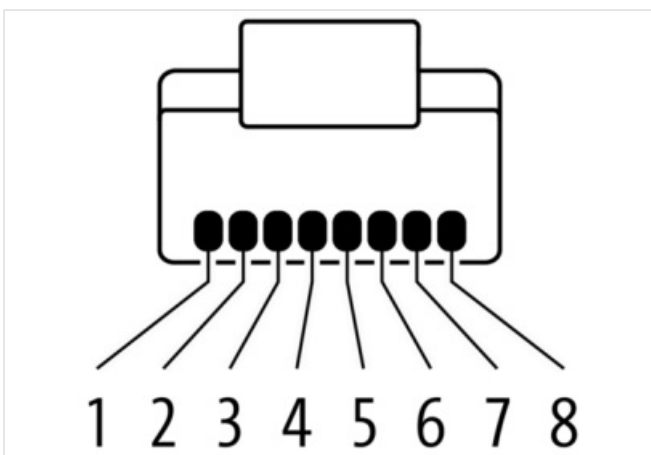
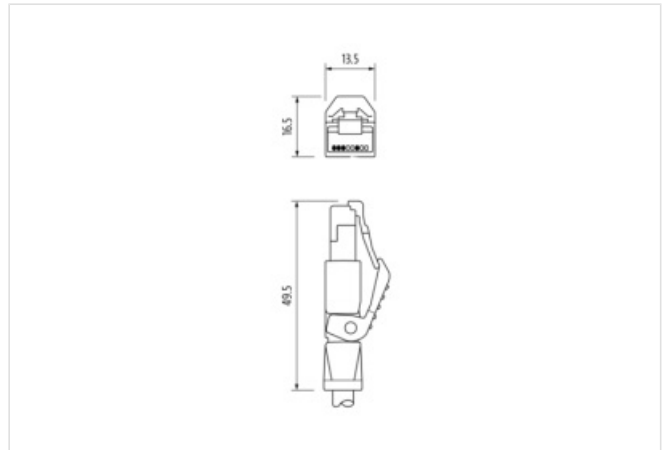
Ytterligare kabellängder kan fås på begäran.

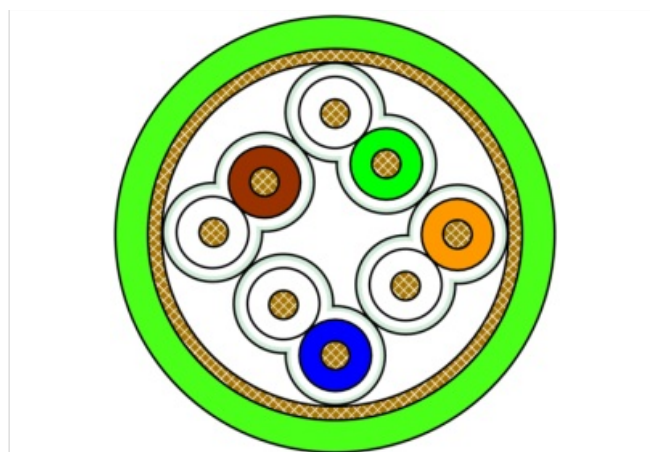
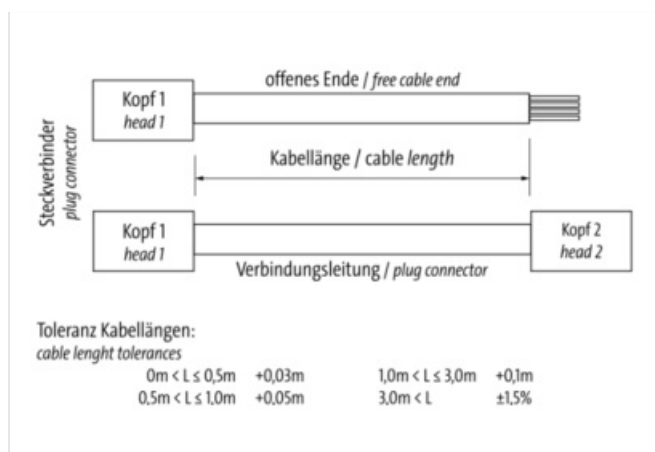
Husmaterialet är i plast med god kemisk-och oljebeständighet

Vid förekomst av aggressiv media är materialbeständighet applikationsavhängig och ska undersökas.Vidare information på begäran.

[Länk till produkt](#)

Illustration





Produkten kan skilja sig från bilden



Kabellängd 65,00 m

Side 1

Family construction form	RJ45
Antal poler	8
Gender	male
Monteringsmetod	pluggable, inserted
Kabelanslutning	rak
Material	PUR
Degree of protection (EN IEC 60529)	IP20

Side 2

Family construction form	RJ45
Antal poler	8
Gender	male
Monteringsmetod	inserted
Kabelanslutning	rak
Material	PUR
Degree of protection (EN IEC 60529)	IP20

Kommersiella uppgifter

URL Webshop	https://shop.murrelektronik.com/7000-74311-7906500
GTIN	4048879677530
ECLASS-6.0	27061801
ECLASS-6.1	27060307
ECLASS-7.0	27060307
ECLASS-7.1	27060307
ECLASS-8.0	27060307
ECLASS-8.1	27060307
ECLASS-9.0	27060307
ECLASS-9.1	27060307
ECLASS-10.0.1	27060307
ECLASS-10.1	27060307
ECLASS-11.0	27060307
ECLASS-11.1	27060307

ECLASS-12.0	27060307
ECLASS-13.0	27060307
ECLASS-14.0	27060307
ETIM-5.0	EC002599
ETIM-6.0	EC002599
ETIM-7.0	EC002599
ETIM-8.0	EC002599
EAN	4048879677530
Förpackningsenhet	1
Kundens tullnummer	85444210
Electrical data Supply	
Operating voltage DC max.	60 V
Current operating per contact max.	1,5 A
Industrial Communication	
Data transmission rate max.	10 Gbit/s
Överföringsparametrar	CAT6, Class EA (ISO/IEC 11801:2002), (EN 50173-1)
Diagnostics	
Status indication LED	No
Device protection Electrical	
Försmutningsgrad	3
Rated surge voltage	1 kV
Material group (IEC 60664-1)	I
Mechanical data	
Contour for corrugated hose	utan
Mechanical data Material data	
housing	PUR
Låsningmaterial	PA
Mechanical data Mounting data	
Looking techniques	Snäppplås
Environmental characteristics Climatic	
Operating temperature min.	-25 °C
Operating temperature max.	85 °C
Additional condition temperature range	depending on cable quality
Important installation notes	
Note on bending radius	Attention: Observe the permissible bending radii when laying cables, as the IP protection class can be endangered by excessive bending forces.
Note on strain relief	Protect the connectors by suitable measures from mechanical loads, e.g. by the usage of cable ties.
Conformity	
Product standard	EN IEC 60603-7 (RJ45)
Installation Cable	
Cable identification	790
Function cable	Data
Stranding	4 × 2 wires stranded
Stranding (type 2)	1 × 4 stranding combinations stranded
Cable shielding (type)	copper braid, tinned
Cable shielding (coverage)	65 %
Pair shielding (type)	Metal foil
Banding	Foil
Wire arrangement	(white, brown), (white, green), (white, orange), (white, blue)
Cable weight	48 g/m

Material wire insulation	PE
Amount wires	8
Outer diameter insulation	1,05 mm
Outer diameter tolerance core insulation	- 0,02 mm
Shore hardness wire insulation	65 ± 5 Shore D
Ingredient freeness wire insulation	halogenfri
Amount strands (wire)	7
Diameter of single wires	34 AWG
Conductor crosssection (wire)	26 AWG
Material conductor wire	Stranded copper wire, bare
Outer-diameter (jacket)	6,4 mm
Tolerance outer diameter (sheath)	± 5 %
Material mantel	PUR
Durezza rivestimento	89 ± 5 Shore A
Freedom from ingredients (jacket)	halogenfri
Conductor resistance (wire)	140 Ω/km @ 20 °C
Electrical capacity line constant (wire - wire)	44.000 pF/km
Isolationsmotstånd	5.000 MΩ × km
Nominal voltage max.	125 V
Withstand voltage (wire - wire)	2 kV @ 60 s
Withstand voltage (wire - jacket)	2 kV @ 60 s
Withstand voltage (wire - shield)	2 kV @ 60 s
Current load capacity (standard)	to DIN VDE 0298-4
Current load capacity max. (wire)	2 A
Characteristic impedence	100 Ω ± 15 % @ 15 MHz
Operating temperature min. (static)	-40 °C
Operating temperature max. (static)	80 °C
Operating temperature min. (dynamic)	-30 °C
Operating temperature max. (dynamic)	70 °C
Flame resistance	UL 1581 § 1090, UL 1581 § 1100, IEC 60332-1-2
Oil resistance	IEC 60811-404, IRM 902
Ozone resistance	EN 50396
Other resistances	resistant to microbes, MUD-resistant (NEK 606)
Böjradie (fixerad)	8 × Outer diameter
Böjradie (vid rörelse)	10 × Outer diameter