

**RJ45 male 0° / RJ45 male 0° shielded**

PUR 4x2xAWG26 shielded gn UL/CSA 20m

Art.Nr.: 7000-74311-7902000

Vikt: 0,941 kg

Tillverknings land: HU

Modellbeteckning: MSRAL0-RA-8p8c790\_20.0

Hane rak - hane rak

RJ45 - RJ45, 8-polig

Skärmad

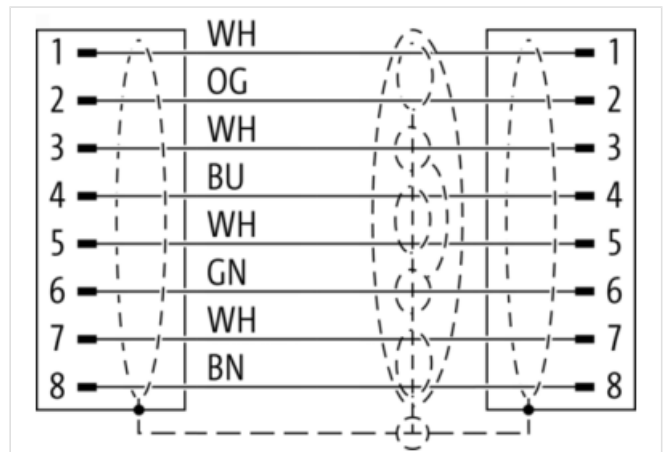
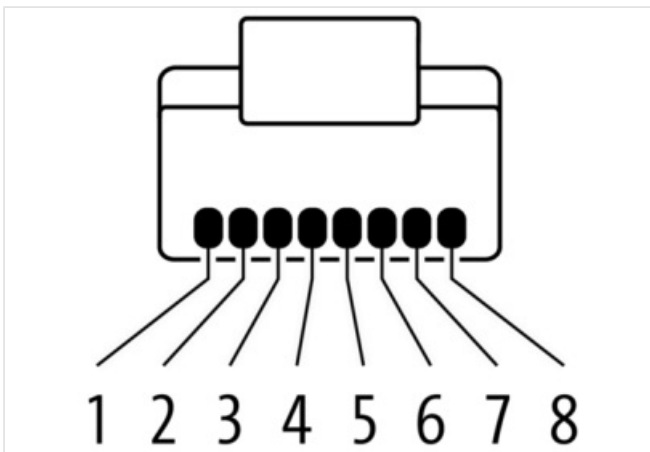
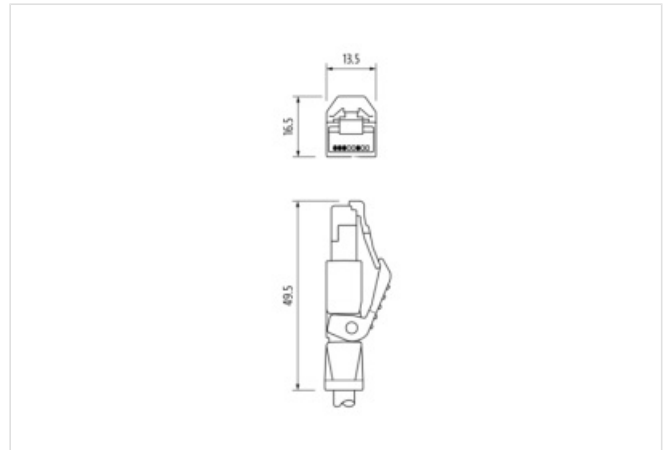
Ytterligare kabellängder kan fås på begäran.

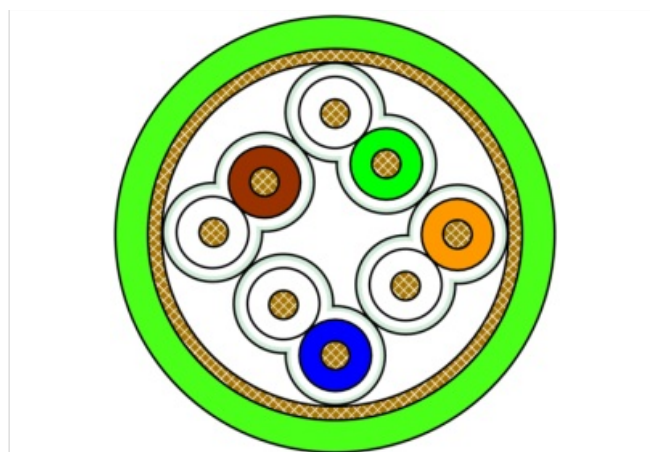
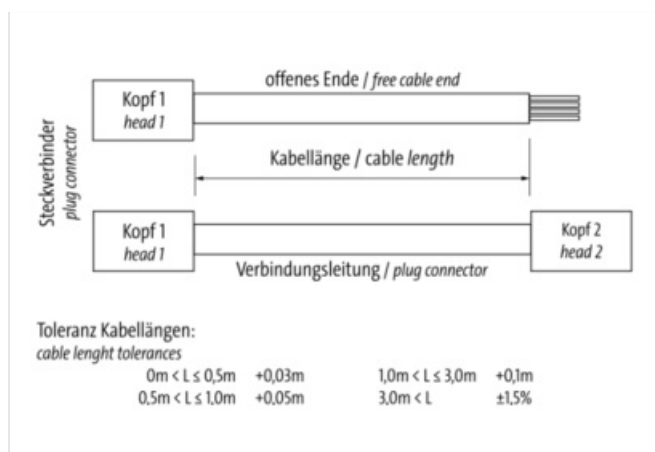
Husmaterialet är i plast med god kemisk-och oljebeständighet

Vid förekomst av aggressiv media är materialbeständighet applikationsavhängig och ska undersökas.Vidare information på begäran.

**Länk till produkt**

**Illustration**





Produkten kan skilja sig från bilden



Kabellängd 20,00 m

**Side 1**

Family construction form	RJ45
Antal poler	8
Gender	male
Monteringsmetod	pluggable, inserted
Kabelanslutning	rak
Material	PUR
Degree of protection (EN IEC 60529)	IP20

**Side 2**

Family construction form	RJ45
Antal poler	8
Gender	male
Monteringsmetod	inserted
Kabelanslutning	rak
Material	PUR
Degree of protection (EN IEC 60529)	IP20

**Kommersiella uppgifter**

URL Webshop	<a href="https://shop.murrelektronik.com/7000-74311-7902000">https://shop.murrelektronik.com/7000-74311-7902000</a>
GTIN	4048879620192
ECLASS-6.0	27061801
ECLASS-6.1	27060307
ECLASS-7.0	27060307
ECLASS-7.1	27060307
ECLASS-8.0	27060307
ECLASS-8.1	27060307
ECLASS-9.0	27060307
ECLASS-9.1	27060307
ECLASS-10.0.1	27060307
ECLASS-10.1	27060307
ECLASS-11.0	27060307
ECLASS-11.1	27060307

ECLASS-12.0	27060307
ECLASS-13.0	27060307
ECLASS-14.0	27060307
ETIM-5.0	EC002599
ETIM-6.0	EC002599
ETIM-7.0	EC002599
ETIM-8.0	EC002599
EAN	4048879620192
Förpackningsenhet	1
Kundens tullnummer	85444210
<b>Electrical data   Supply</b>	
Operating voltage DC max.	60 V
Current operating per contact max.	1,5 A
<b>Industrial Communication</b>	
Data transmission rate max.	10 Gbit/s
Överföringsparametrar	CAT6, Class EA (ISO/IEC 11801:2002), (EN 50173-1)
<b>Diagnostics</b>	
Status indication LED	No
<b>Device protection   Electrical</b>	
Försmutningsgrad	3
Rated surge voltage	1 kV
Material group (IEC 60664-1)	I
<b>Mechanical data</b>	
Contour for corrugated hose	utan
<b>Mechanical data   Material data</b>	
housing	PUR
Låsningmaterial	PA
<b>Mechanical data   Mounting data</b>	
Looking techniques	Snäppplås
<b>Environmental characteristics   Climatic</b>	
Operating temperature min.	-25 °C
Operating temperature max.	85 °C
Additional condition temperature range	depending on cable quality
<b>Important installation notes</b>	
Note on bending radius	<b>Attention:</b> Observe the permissible bending radii when laying cables, as the IP protection class can be endangered by excessive bending forces.
Note on strain relief	Protect the connectors by suitable measures from mechanical loads, e.g. by the usage of cable ties.
<b>Conformity</b>	
Product standard	EN IEC 60603-7 (RJ45)
<b>Installation   Cable</b>	
Cable identification	790
Function cable	Data
Stranding	4 × 2 wires stranded
Stranding (type 2)	1 × 4 stranding combinations stranded
Cable shielding (type)	copper braid, tinned
Cable shielding (coverage)	65 %
Pair shielding (type)	Metal foil
Banding	Foil
Wire arrangement	(white, brown), (white, green), (white, orange), (white, blue)
Cable weight	48 g/m

Material wire insulation	PE
Amount wires	8
Outer diameter insulation	1,05 mm
Outer diameter tolerance core insulation	- 0,02 mm
Shore hardness wire insulation	65 ± 5 Shore D
Ingredient freeness wire insulation	halogenfri
Amount strands (wire)	7
Diameter of single wires	34 AWG
Conductor crosssection (wire)	26 AWG
Material conductor wire	Stranded copper wire, bare
Outer-diameter (jacket)	6,4 mm
Tolerance outer diameter (sheath)	± 5 %
Material mantel	PUR
Durezza rivestimento	89 ± 5 Shore A
Freedom from ingredients (jacket)	halogenfri
Conductor resistance (wire)	140 Ω/km @ 20 °C
Electrical capacity line constant (wire - wire)	44.000 pF/km
Isolationsmotstånd	5.000 MΩ × km
Nominal voltage max.	125 V
Withstand voltage (wire - wire)	2 kV @ 60 s
Withstand voltage (wire - jacket)	2 kV @ 60 s
Withstand voltage (wire - shield)	2 kV @ 60 s
Current load capacity (standard)	to DIN VDE 0298-4
Current load capacity max. (wire)	2 A
Characteristic impedence	100 Ω ± 15 % @ 15 MHz
Operating temperature min. (static)	-40 °C
Operating temperature max. (static)	80 °C
Operating temperature min. (dynamic)	-30 °C
Operating temperature max. (dynamic)	70 °C
Flame resistance	UL 1581 § 1090, UL 1581 § 1100, IEC 60332-1-2
Oil resistance	IEC 60811-404, IRM 902
Ozone resistance	EN 50396
Other resistances	resistant to microbes, MUD-resistant (NEK 606)
Böjradie (fixerad)	8 × Outer diameter
Böjradie (vid rörelse)	10 × Outer diameter