

**M12 male 0° / M12 female 0° A-cod. shielded**

PUR 4x0.5+2x0.25 shielded gn UL/CSA+drag ch. 7.5m

Art.Nr.: 7000-46041-8020750

Vikt: 0,721 kg

Tillverknings land: HU

Modellbeteckning: MSBL0-A-6p2\_802\_7.5-ZE

Cube67

Hane rak, till rak hona

M12 - M12, 6-polig

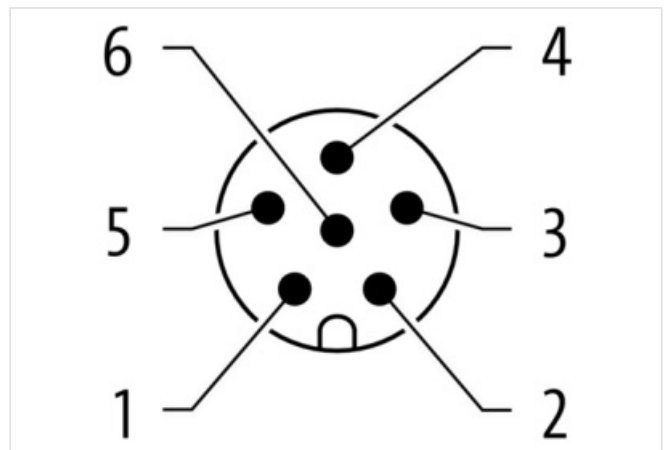
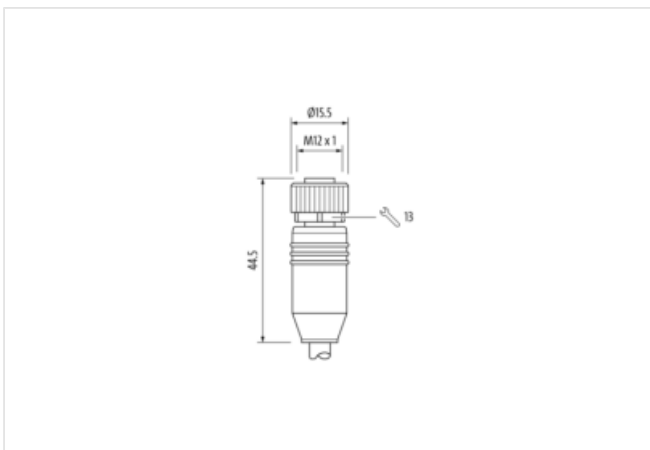
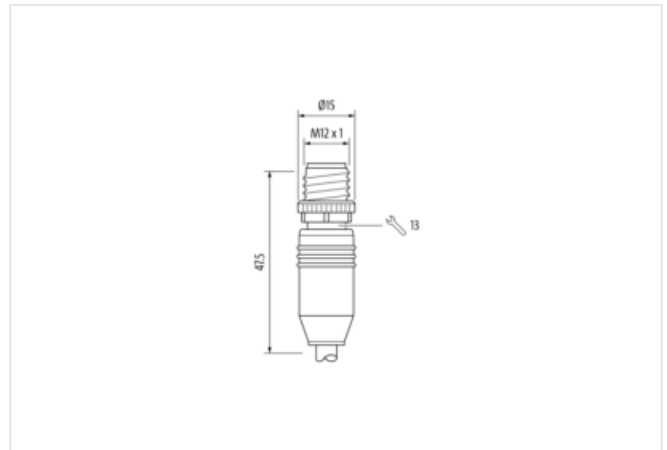
Skärmad

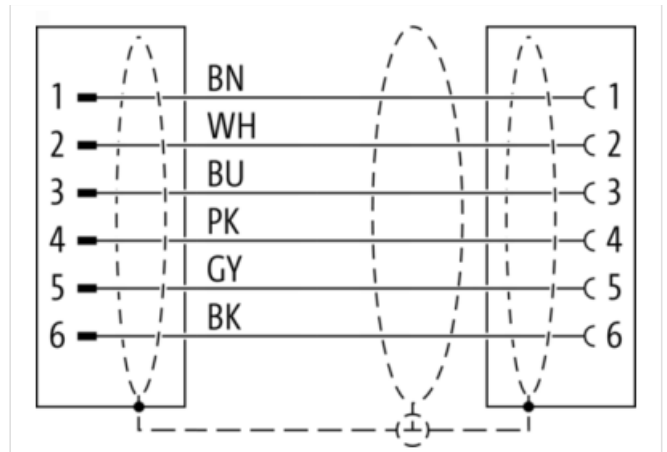
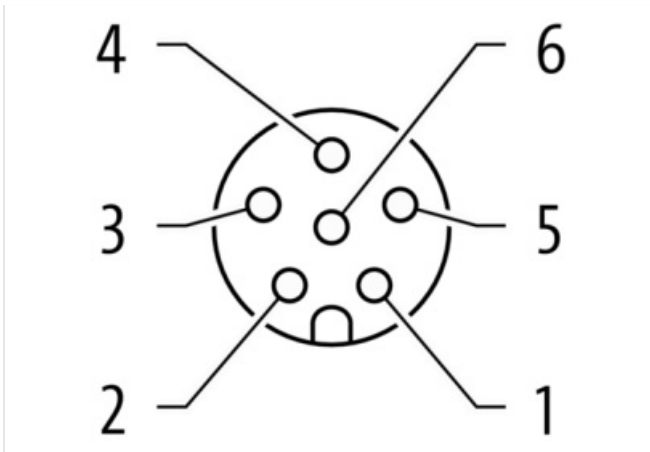
Hybridkabel

Husmaterialet är i plast med god kemisk-och oljebeständighet

Vid förekomst av aggressiv media är materialbeständighet applikationsavhängig och ska undersökas. Vidare information på begäran.

Ytterligare kabellängder kan fås på begäran.

[Länk till produkt](#)**Illustration**



Produkten kan skilja sig från bilden



Kabellängd 7,50 m

**Side 1**

Family construction form	M12
Antal poler	6
Kodning	A
Gender	male
Monteringsmetod	inserted, screwed
Threaded hole	M12 x 1
Tightening torque	0,6 Nm
Width across flats	SW13
Kabelanslutning	rak
Material	PUR
Material contact	Copper alloy
Coating contact	gold plated
Degree of protection (EN IEC 60529)	IP67, IP66K, IP65

**Side 2**

Family construction form	M12
Antal poler	6

Kodning	A
Gender	female
Monteringsmetod	inserted, screwed
Threaded hole	M12 x 1
Tightening torque	0,6 Nm
Width across flats	SW13
Kabelanslutning	rak
Material	PUR
Material contact	Copper alloy
Coating contact	gold plated
Degree of protection (EN IEC 60529)	IP67, IP66K, IP65

#### Kommersiella uppgifter

URL Webshop	<a href="https://shop.murrelektronik.com/7000-46041-8020750">https://shop.murrelektronik.com/7000-46041-8020750</a>
GTIN	4048879140362
ECLASS-6.0	27061801
ECLASS-6.1	27060307
ECLASS-7.0	27060307
ECLASS-7.1	27060307
ECLASS-8.0	27060307
ECLASS-8.1	27060307
ECLASS-9.0	27060307
ECLASS-9.1	27060307
ECLASS-10.0.1	27060307
ECLASS-10.1	27060307
ECLASS-11.0	27060307
ECLASS-11.1	27060307
ECLASS-12.0	27060307
ECLASS-13.0	27060307
ECLASS-14.0	27060307
ETIM-5.0	EC001855
ETIM-6.0	EC001855
ETIM-7.0	EC001855
ETIM-8.0	EC001855
EAN	4048879140362
Förpackningsenhet	1
Kundens tullnummer	85444290

#### Electrical data | Supply

Operating voltage AC max.	30 V
Operating voltage DC max.	30 V
Current operating per contact max.	4 A

#### Diagnostics

Status indication LED	No
-----------------------	----

#### Device protection | Electrical

Additional condition protection degree	inserted, screwed
Försmutningsgrad	3
Rated surge voltage	0,8 kV
Material group (IEC 60664-1)	I

#### Mechanical data

Contour for corrugated hose	utan
-----------------------------	------

#### Mechanical data | Material data

Color housing	black
---------------	-------

Material screw connection	Zinc die-casting
Coating of fitting	nickel plated
Material guarnizione	FKM
<b>Mechanical data   Mounting data</b>	
Monteringsmetod	inserted, screwed, Shaking protection
<b>Environmental characteristics   Climatic</b>	
Operating temperature min.	-30 °C
Operating temperature max.	85 °C
Additional condition temperature range	depending on cable quality
<b>Important installation notes</b>	
Note on bending radius	<b>Attention:</b> Observe the permissible bending radii when laying cables, as the IP protection class can be endangered by excessive bending forces.
Note on strain relief	Protect the connectors by suitable measures from mechanical loads, e.g. by the usage of cable ties.
<b>Installation   Cable</b>	
Cable identification	802
Function cable	Signal
Stranding	1 × 2 wires stranded
Stranding (type 2)	1 × 4 wires stranded with stranding combination with 3 filler
Cable shielding (type)	copper braid, tinned
Cable shielding (coverage)	80 %
Banding	Fleece
Filler	Yes
Wire arrangement	(gray, pink), blue, white, brown, black
Cable weight	70 g/m
Material wire insulation	PP
Amount wires	4
Outer diameter insulation	1,4 mm
Outer diameter tolerance core insulation	± 0,05 mm
Shore hardness wire insulation	50 ± 2 Shore D
Ingredient freeness wire insulation	halogenfri
Amount strands (wire)	64
Diameter of single wires	0,1 mm
Conductor crosssection (wire)	0,5 mm <sup>2</sup>
Material conductor wire	Stranded copper wire, bare
Conductor type (wire)	strand class 6
Electrical function wire	Signal
Material wire insulation (type 2)	PP
Outer diameter wire insulation (type 2)	1,1 mm
Tolerance outer diameter wire insulation (type 2)	± 0,05 mm
Shore hardness wire insulation (type 2)	50 ± 2 Shore D
Ingredient freeness wire insulation (type 2)	halogenfri
Amount wires (type 2)	2
Amount strands wire (type 2)	32
Diameter of single wires (type 2)	0,1 mm
Conductor crosssection wire (type 2)	0,25 mm <sup>2</sup>
Material conductor wire (type 2)	Stranded copper wire, bare
Wire conductor type (type 2)	strand class 6
Electrical function wire (type 2)	Data
Outer-diameter (jacket)	6,6 mm
Tolerance outer diameter (sheath)	± 5 %
Material mantel	PUR

Durezza rivestimento	90 ± 3 Shore A
Freedom from ingredients (jacket)	halogenfri
Conductor resistance (wire)	39 Ω/km @ 20 °C
Conductor resistance (wire type 2)	79 Ω/km @ 20 °C
Electrical capacity line constant (wire - wire)	63.000 pF/km
Isolationsmotstånd	2 GΩ × km
Nominal voltage max.	300 V
Withstand voltage (wire - wire)	2 kV @ 60 s
Withstand voltage (wire - jacket)	2 kV @ 60 s
Withstand voltage (wire - shield)	2 kV @ 60 s
Current load capacity (standard)	to DIN VDE 0298-4
Current load capacity max. (wire)	7,2 A
Current load capacity max. Wire (type 2)	4,5 A
Characteristic impedence	84 Ω
Operating temperature min. (static)	-40 °C
Operating temperature max. (static)	80 °C
Operating temperature min. (dynamic)	-30 °C
Operating temperature max. (dynamic)	70 °C
Flame resistance	IEC 60332-1-2, UL 1581 § 1060, UL 1581 § 1090, UL 1581 § 1100
Oil resistance	IEC 60811-404, IRM 902
Ozone resistance	EN 50396
UV resistance	UL 1581 § 1200
Other resistances	good resistance to saturated hydrocarbons (diesel, kerosene, petrol ether), resistant to microbes, MUD-resistant (NEK 606)
Böjradie (fixerad)	5 × Outer diameter
Böjradie (vid rörelse)	10 × Outer diameter
No. of bending cycles (C-track)	5 Mio. @ 25 °C
Traversing distance (C-track)	10 m @ 25 °C
Travel speed (C-track)	2 m/s @ 25 °C
Acceleration (C-track)	2 m/s <sup>2</sup> @ 25 °C
Torsion stress	± 180 °/m