

M12 male 0° / M12 male 90° D-cod. shielded

PUR 1x4xAWG22 shielded gn UL/CSA+drag ch. 0.5m

Art.Nr.: 7000-44541-7960050

Vikt: 0,067 kg

Tillverknings land: CZ

Modellbeteckning: MSDCL0-DA-T796_0.5-ZS

Ethernet CAT5

Hane vinklad - hane rak

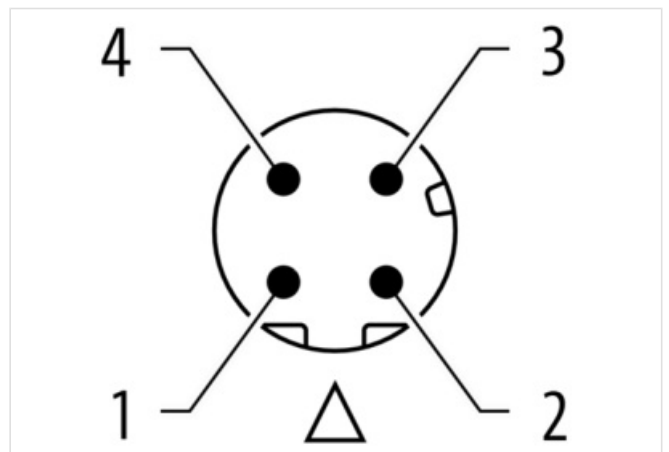
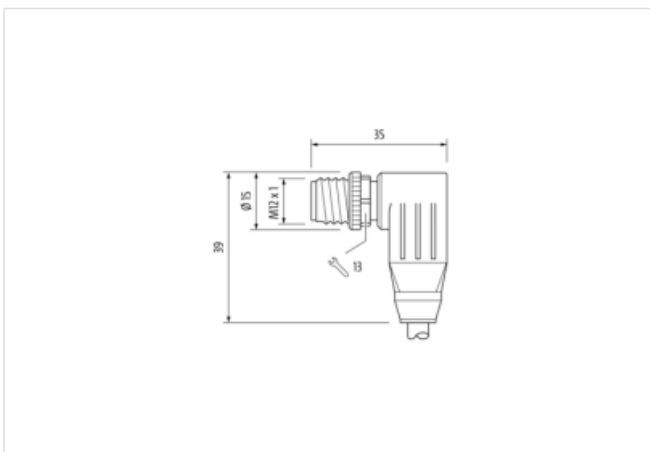
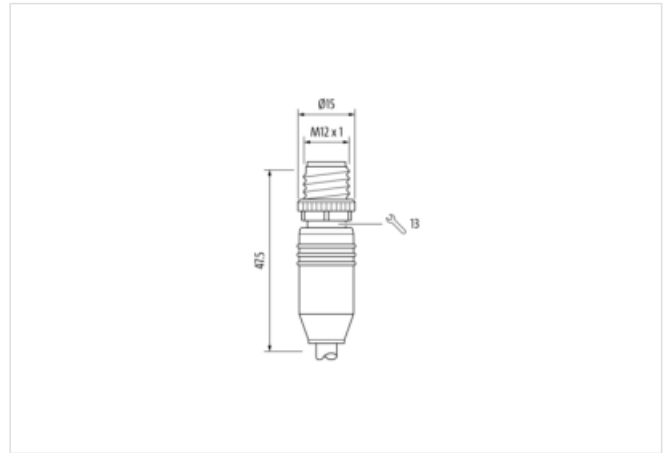
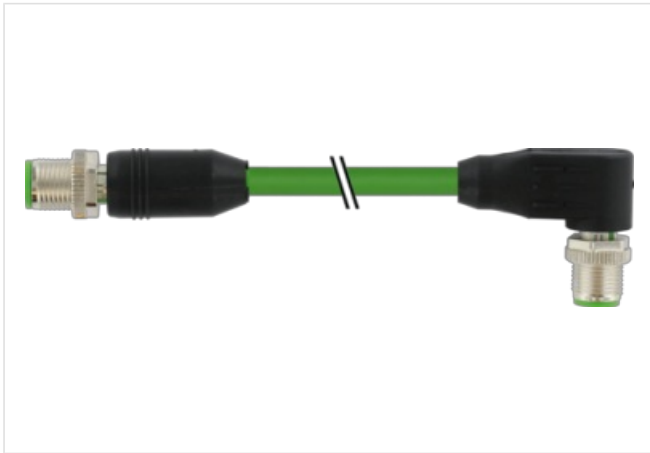
M12 - M12, 4-polig

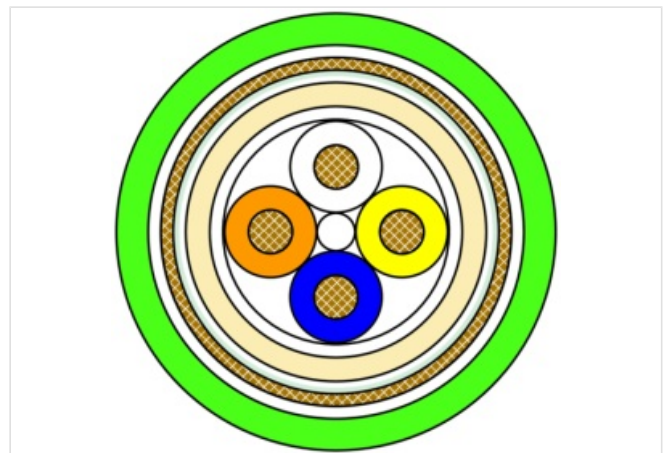
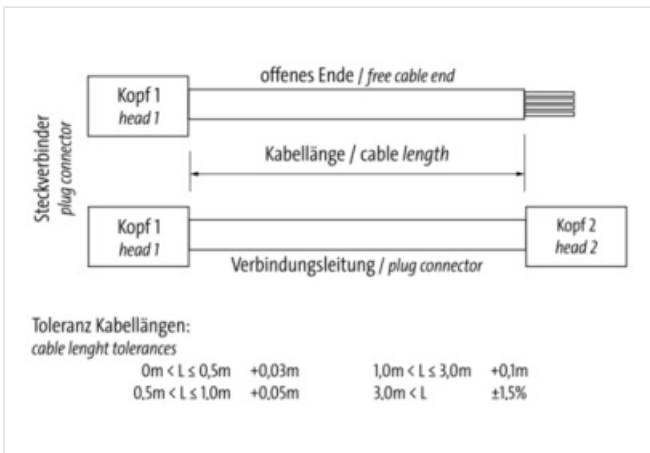
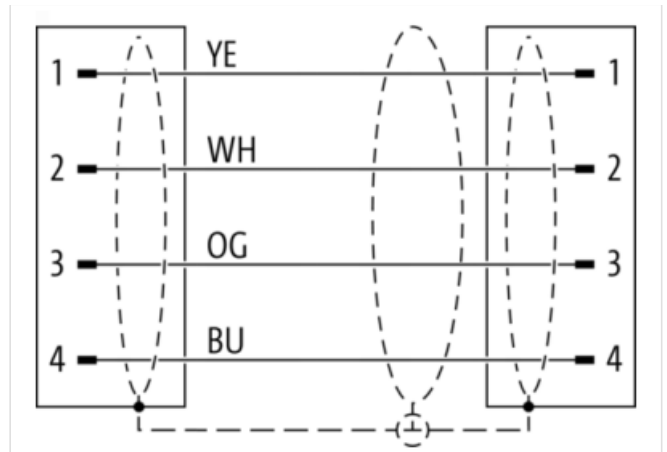
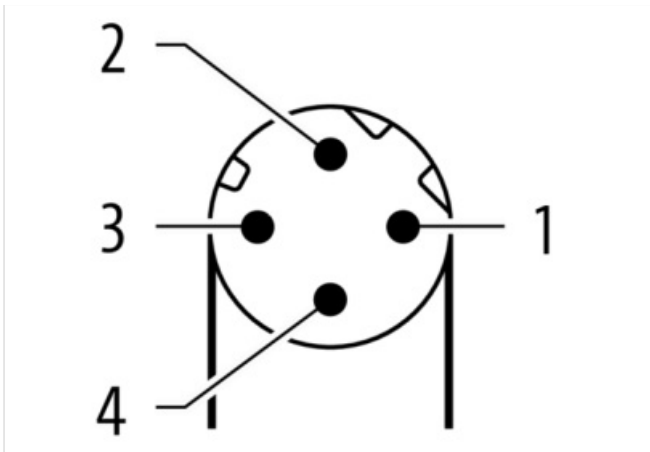
Skärmad

Ytterligare kabellängder kan fås på begäran.

Husmaterialet är i plast med god kemisk-och oljebeständighet

Vid förekomst av aggressiv media är materialbeständighet applikationsavhängig och ska undersökas. Vidare information på begäran.

[Länk till produkt](#)**Illustration**



Produkten kan skilja sig från bilden



Kabellängd	0,50 m
Side 1	
Family construction form	M12
Antal poler	4
Kodning	D
Gender	male
Monteringsmetod	inserted, screwed
Threaded hole	M12 x 1
Tightening torque	0,6 Nm
Width across flats	SW13
Kabelanslutning	rak
Material	PUR
Material contact	Copper alloy
Coating contact	gold plated
Degree of protection (EN IEC 60529)	IP67, IP66K, IP65
Side 2	
Family construction form	M12
Antal poler	4

Kodning	D
Gender	male
Monteringsmetod	inserted, screwed
Threaded hole	M12 x 1
Tightening torque	0,6 Nm
Width across flats	SW13
Kabelanslutning	angled
Material	PUR
Material contact	Copper alloy
Coating contact	gold plated
Degree of protection (EN IEC 60529)	IP67, IP66K, IP65

Kommersiella uppgifter

URL Webshop	https://shop.murrelektronik.com/7000-44541-7960050
GTIN	4048879141178
ECLASS-6.0	27061801
ECLASS-6.1	27060307
ECLASS-7.0	27060307
ECLASS-7.1	27060307
ECLASS-8.0	27060307
ECLASS-8.1	27060307
ECLASS-9.0	27060307
ECLASS-9.1	27060307
ECLASS-10.0.1	27060307
ECLASS-10.1	27060307
ECLASS-11.0	27060307
ECLASS-11.1	27060307
ECLASS-12.0	27060307
ECLASS-13.0	27060307
ECLASS-14.0	27060307
ETIM-5.0	EC002599
ETIM-6.0	EC002599
ETIM-7.0	EC002599
ETIM-8.0	EC002599
EAN	4048879141178
Förpackningsenhet	1
Kundens tullnummer	85444290

Electrical data | Supply

Operating voltage DC max.	60 V
Current operating per contact max.	1,5 A

Industrial Communication

Data transmission rate max.	100 Mbit/s
Överföringsparametrar	CAT5, Class D (ISO/IEC 11801:2002), (EN 50173-1)

Industrial communication | Ethernet functionality

duplex	Full duplex
--------	-------------

Device protection | Electrical

Additional condition protection degree	inserted, screwed
Försmutningsgrad	3
Rated surge voltage	1,5 kV
Material group (IEC 60664-1)	I

Mechanical data

Contour for corrugated hose	utan
-----------------------------	------

Mechanical data | Material data

Material screw connection	Zinc die-casting
---------------------------	------------------

Coating of fitting	Nickeled
--------------------	----------

Environmental characteristics | Climatic

Operating temperature min.	-30 °C
----------------------------	--------

Operating temperature max.	85 °C
----------------------------	-------

Additional condition temperature range	depending on cable quality
--	----------------------------

Important installation notes

Note on bending radius	Attention: Observe the permissible bending radii when laying cables, as the IP protection class can be endangered by excessive bending forces.
------------------------	---

Note on strain relief	Protect the connectors by suitable measures from mechanical loads, e.g. by the usage of cable ties.
-----------------------	---

Conformity

Product standard	EN IEC 61076-2-101 (M12)
------------------	--------------------------

Installation | Cable

Cable identification	796
----------------------	-----

Function cable	Data
----------------	------

Stranding	1 × 4 wires around core filler star-shaped twisted
-----------	--

Cable shielding (type)	copper braid, tinned
------------------------	----------------------

Cable shielding (coverage)	85 %
----------------------------	------

Banding	Foil, Fleece
---------	--------------

Filler	Yes
--------	-----

Wire arrangement	white, yellow, blue, orange
------------------	-----------------------------

Cable weight	63 g/m
--------------	--------

Material wire insulation	PE
--------------------------	----

Amount wires	4
--------------	---

Outer diameter insulation	1,4 mm
---------------------------	--------

Outer diameter tolerance core insulation	± 0,05 mm
--	-----------

Shore hardness wire insulation	65 ± 5 Shore D
--------------------------------	----------------

Ingredient freeness wire insulation	halogenfri
-------------------------------------	------------

Amount strands (wire)	7
-----------------------	---

Diameter of single wires	30 AWG
--------------------------	--------

Conductor crosssection (wire)	22 AWG
-------------------------------	--------

Material conductor wire	Stranded copper wire, bare
-------------------------	----------------------------

Outer-diameter (jacket)	6,7 mm
-------------------------	--------

Tolerance outer diameter (sheath)	± 5 %
-----------------------------------	-------

Material mantel	PUR
-----------------	-----

Durezza rivestimento	89 ± 5 Shore A
----------------------	----------------

Freedom from ingredients (jacket)	halogenfri
-----------------------------------	------------

Material property (jacket)	abrasion-resistant, low adhesion, good machinability, matte
----------------------------	---

Material inner jacket	FRNC
-----------------------	------

Color (inner jacket)	natural
----------------------	---------

Conductor resistance (wire)	55.4 Ω/km @ 20 °C
-----------------------------	-------------------

Electrical capacity line constant (wire - wire)	50.000 pF/km
---	--------------

Isolationsmotstånd	5.000 MΩ × km
--------------------	---------------

Nominal voltage max.	300 V
----------------------	-------

Withstand voltage (wire - wire)	2 kV @ 60 s
---------------------------------	-------------

Withstand voltage (wire - jacket)	2 kV @ 60 s
-----------------------------------	-------------

Withstand voltage (wire - shield)	2 kV @ 60 s
-----------------------------------	-------------

Current load capacity (standard)	to DIN VDE 0298-4
----------------------------------	-------------------

Current load capacity max. (wire)	4,8 A
-----------------------------------	-------

Characteristic impedance	100 Ω ± 15 %
--------------------------	--------------

Operating temperature min. (static)	-40 °C
-------------------------------------	--------

Operating temperature max. (static)	80 °C
-------------------------------------	-------

Operating temperature min. (dynamic)	-30 °C
--------------------------------------	--------

Operating temperature max. (dynamic)	70 °C
Operating temperature min. (drag chain)	-30 °C
Operating temperature max. (drag chain)	70 °C
Flame resistance	IEC 60332-1-2, UL 1581 § 1090, UL 1581 § 1100
Oil resistance	IEC 60811-404, IRM 901, NEMA WC55
Ozone resistance	IEC 60811-403
UV resistance	UL 1581 § 1200
Other resistances	resistant to hydrolysis, resistant to microbes, MUD-resistant (NEK 606)
Böjradie (fixerad)	5 × Outer diameter
Böjradie (vid rörelse)	12 × Outer diameter
No. of bending cycles (C-track)	3 Mio. @ 25 °C
Traversing distance (C-track)	5 m @ 25 °C
Travel speed (C-track)	3.3 m/s @ 25 °C
Acceleration (C-track)	2 m/s ² @ 25 °C
No. of torsion cycles	1 Mio. @ 25 °C
Torsion stress	± 180 °/m
Torsion speed	35 cycles/min