

M12 male 0° / M12 male 0° D-cod. shielded

PUR 1x4xAWG22 shielded gn UL/CSA+drag ch. 5m

Art.Nr.: 7000-44511-7960500

Vikt: 0,376 kg

Tillverknings land: HU

Modellbeteckning: MSDAL0-DA-T796_5.0-ZS

Ethernet CAT5e

Hane rak - hane rak

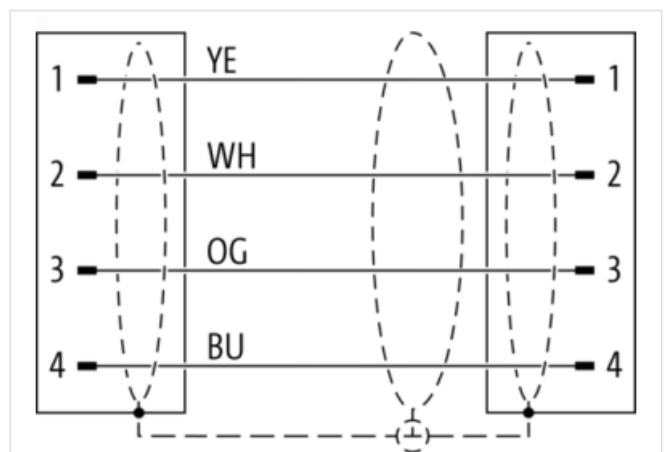
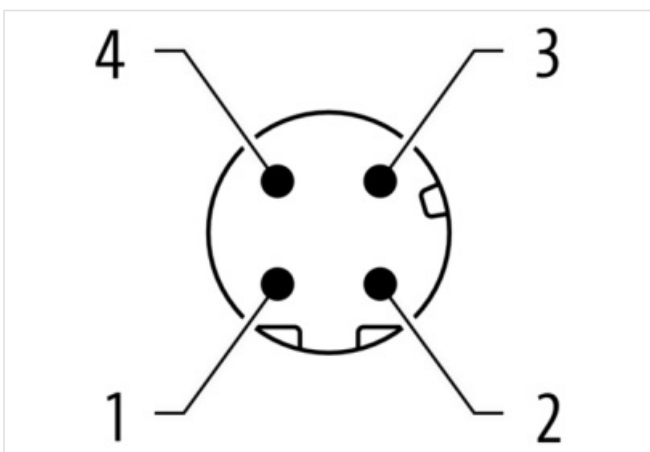
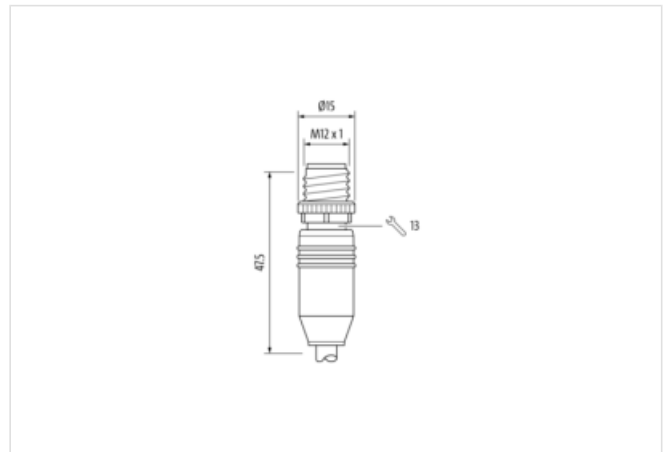
M12 - M12, 4-polig

Skärmad

Ytterligare kabellängder kan fås på begäran.

Husmaterialet är i plast med god kemisk-och oljebeständighet

Vid förekomst av aggressiv media är materialbeständighet applikationsavhängig och ska undersökas. Vidare information på begäran.

[Länk till produkt](#)**Illustration**



Produkten kan skilja sig från bilden



Kabellängd	5,00 m
Side 1	
Family construction form	M12
Antal poler	4
Kodning	D
Gender	male
Monteringsmetod	inserted, screwed
Threaded hole	M12 x 1
Tightening torque	0,6 Nm
Width across flats	SW13
Kabelanslutning	rak
Material	PUR
Material contact	Copper alloy
Coating contact	gold plated
Degree of protection (EN IEC 60529)	IP67, IP66K, IP65
Side 2	
Family construction form	M12
Antal poler	4
Kodning	D
Gender	male
Monteringsmetod	inserted, screwed
Threaded hole	M12 x 1
Tightening torque	0,6 Nm
Width across flats	SW13
Kabelanslutning	rak
Material	PUR
Material contact	Copper alloy
Coating contact	gold plated
Degree of protection (EN IEC 60529)	IP67, IP66K, IP65
Kommersiella uppgifter	
URL Webshop	https://shop.murrelektronik.com/7000-44511-7960500
GTIN	4048879141307

Customs tariff number	85444290
ECLASS-6.0	27061801
ECLASS-6.1	27060307
ECLASS-7.0	27060307
ECLASS-7.1	27060307
ECLASS-8.0	27060307
ECLASS-8.1	27060307
ECLASS-9.0	27060307
ECLASS-9.1	27060307
ECLASS-10.0.1	27060307
ECLASS-10.1	27060307
ECLASS-11.0	27060307
ECLASS-11.1	27060307
ECLASS-12.0	27060307
ECLASS-13.0	27060307
ECLASS-14.0	27060307
ETIM-5.0	EC002599
ETIM-6.0	EC002599
ETIM-7.0	EC002599
ETIM-8.0	EC002599
EAN	4048879141307
Förpackningsenhet	1
Kundens tullnummer	85444290

Electrical data | Supply

Operating voltage DC max.	60 V
Current operating per contact max.	1,5 A

Industrial Communication

Data transmission rate max.	100 Mbit/s
Överföringsparametrar	CAT5, Class D (ISO/IEC 11801:2002), (EN 50173-1)

Industrial communication | Ethernet functionality

duplex	Full duplex
--------	-------------

Device protection | Electrical

Degree of protection (EN IEC 60529)	IP67, IP66K, IP65
Additional condition protection degree	inserted, screwed
Försmutningsgrad	3
Rated surge voltage	1,5 kV
Material group (IEC 60664-1)	I

Mechanical data

Contour for corrugated hose	utan
-----------------------------	------

Mechanical data | Material data

housing	PUR
Screw connection	Zinc die-casting
Coating of fitting	nickel plated

Mechanical data | Mounting data

Monteringsmetod	inserted, screwed, Shaking protection
-----------------	---------------------------------------

Environmental characteristics | Climatic

Operating temperature min.	-30 °C
Operating temperature max.	85 °C
Additional condition temperature range	depending on cable quality

Important installation notes

Note on bending radius	Attention: Observe the permissible bending radii when laying cables, as the IP protection class can be endangered by excessive bending forces.
Note on strain relief	Protect the connectors by suitable measures from mechanical loads, e.g. by the usage of cable ties.
Conformity	
Product standard	EN IEC 61076-2-101 (M12)
Installation Cable	
Cable identification	796
Function cable	Data
Cable weight	63 g/m
UL AWM Style	20549 / 11602
Stranding	1 × 4 wires around core filler star-shaped twisted
Cable shielding (type)	copper braid, tinned
Cable shielding (coverage)	85 %
Banding	Foil, Fleece
Filler	Yes
Wire arrangement	WH, YE, BU, OG
Avskärmning	skärmad
Material wire insulation	PE
Amount wires	4
Outer diameter insulation	1.4 mm ± 0.05 mm
Conductor crosssection (wire)	22 AWG
Material conductor wire	Stranded copper wire, bare
Core construction (wire)	7
Ingredient freeness wire insulation	halogenfri
Material mantel	PUR
Outer-diameter (jacket)	6.7 mm ± 5 %
Mantelfärg	green / RAL 6018
Material inner jacket	FRNC
Color (inner jacket)	natural
Freedom from ingredients (jacket)	halogenfri
Material property (jacket)	abrasion-resistant, low adhesion, good machinability, matte
Cable shielding (type)	copper braid, tinned
Cable shielding (coverage)	85 %
Conductor resistance (wire)	55.4 Ω/km @ 20 °C
Nominal voltage max.	300 V
Withstand voltage (wire - wire)	2 kV @ 60 s
Withstand voltage (wire - jacket)	2 kV @ 60 s
Withstand voltage (wire - shield)	2 kV @ 60 s
Current load capacity max. (wire)	4,8 A
Current load capacity (standard)	to DIN VDE 0298-4
Electrical capacity line constant (wire - wire)	50.000 pF/km
Isolationsmotstånd	5.000 MΩ × km
Characteristic impedance	100 Ω ± 15 %
Kabeltyp	Industrial Ethernet Profinet Typ C, CAT5e
Operating temperature (static)	-40 °C ... 80 °C
Operating temperature (dynamic)	-30 °C ... 70 °C
Operating temperature (drag chain)	-30 °C ... 70 °C
Flame resistance	IEC 60332-1-2, UL 1581 § 1090, UL 1581 § 1100
Oil resistance	IEC 60811-404, IRM 901, NEMA WC55
Ozone resistance	IEC 60811-403
UV resistance	UL 1581 § 1200
Other resistances	resistant to hydrolysis, resistant to microbes, MUD-resistant (NEK 606)
Kommentarer	application-related testing

Böjradie (fixerad)	5 × Outer diameter
Böjradie (vid rörelse)	12 × Outer diameter
No. of bending cycles (C-track)	3 Mio. @ 25 °C
Traversing distance (C-track)	5 m @ 25 °C
Travel speed (C-track)	3.3 m/s @ 25 °C
Acceleration (C-track)	2 m/s ² @ 25 °C
No. of torsion cycles	1 Mio. @ 25 °C
Torsion stress	± 180 °/m
Torsion speed	35 cycles/min