

M12 male 0° / M12 female 0° B-cod. shielded

PUR AWG24+22 shielded vt UL/CSA+drag ch. 0.3m

Art.Nr.: 7000-44032-8030030

Vikt: 0,036 kg

Tillverknings land: CZ

Modellbeteckning: MSBBL0-BA-T803_0.3

Hane rak, till rak hona

M12 - M12, 4-polig

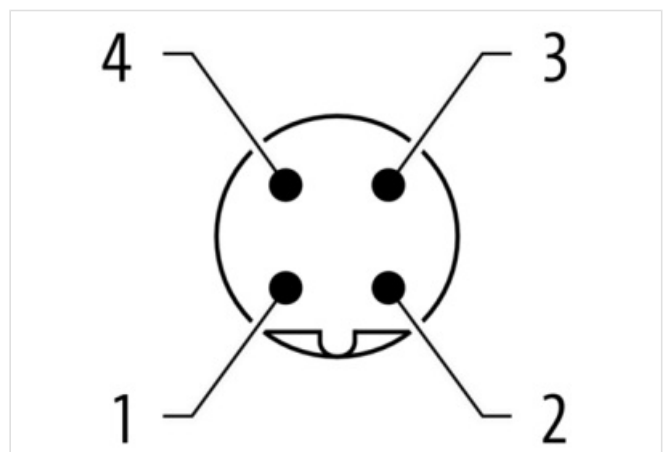
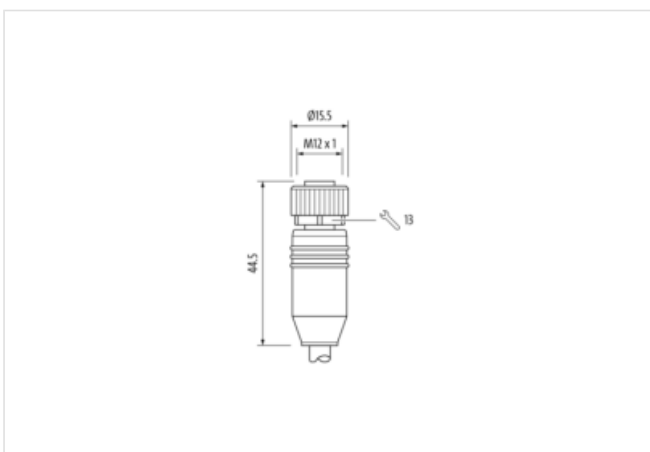
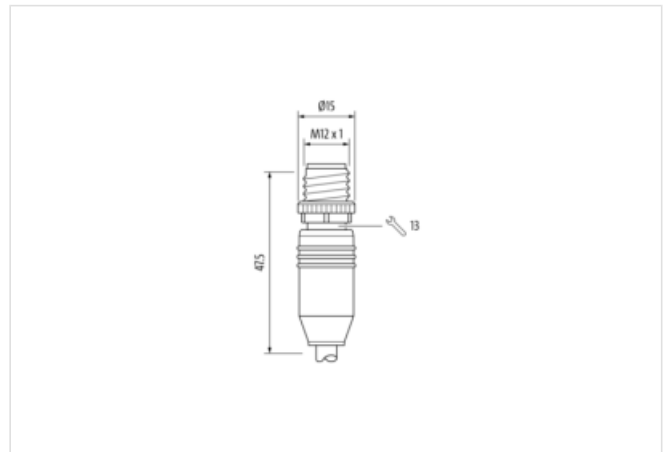
B-kodad

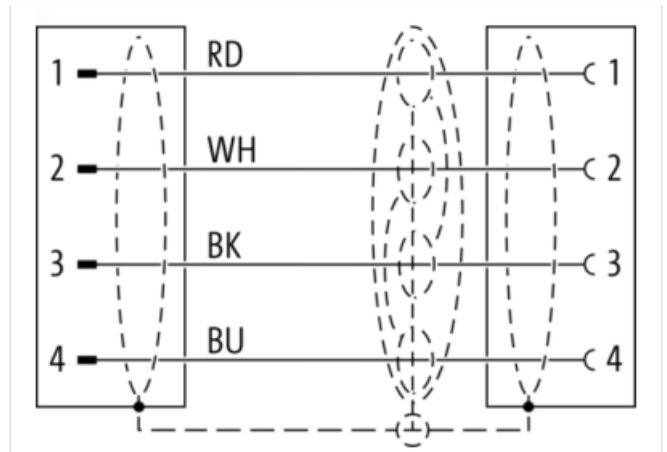
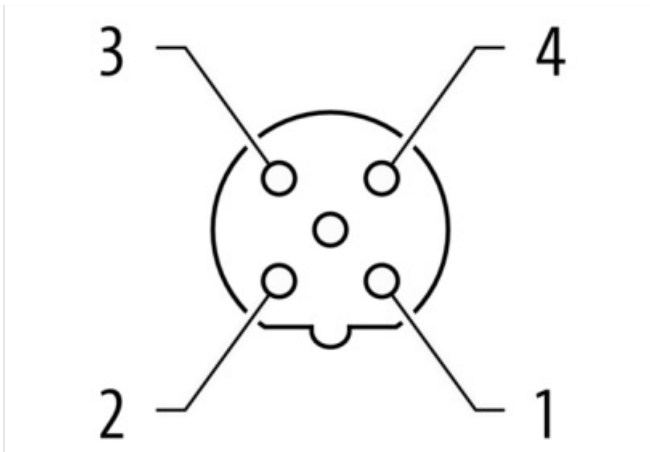
Skärmad

Husmaterialet är i plast med god kemisk-och oljebeständighet

Vid förekomst av aggressiv media är materialbeständighet applikationsavhängig och ska undersökas. Vidare information på begäran.

Ytterligare kabellängder kan fås på begäran.

[Länk till produkt](#)**Illustration**



Produkten kan skilja sig från bilden



Kabellängd 0,30 m

Side 1

Family construction form	M12
Antal poler	4
Kodning	B
Gender	male
Monteringsmetod	inserted, screwed
Threaded hole	M12 x 1
Tightening torque	0,6 Nm
Width across flats	SW13
Kabelanslutning	rak
Material	PUR
Material contact	Copper alloy
Coating contact	gold plated
Degree of protection (EN IEC 60529)	IP67, IP66K, IP65

Side 2

Family construction form	M12
Antal poler	4

Kodning	B
Gender	female
Monteringsmetod	inserted, screwed
Threaded hole	M12 x 1
Tightening torque	0,6 Nm
Width across flats	SW13
Kabelanslutning	rak
Material	PUR
Material contact	Copper alloy
Coating contact	gold plated
Degree of protection (EN IEC 60529)	IP67, IP66K, IP65

Kommersiella uppgifter

URL Webshop	https://shop.murrelektronik.com/7000-44032-8030030
EAN	4048879141833
Förpackningsenhet	1
Kundens tullnummer	85444290

Electrical data | Supply

Operating voltage AC max.	60 V
Operating voltage DC max.	60 V
Current operating per contact max.	4 A

Diagnostics

Status indication LED	No
-----------------------	----

Device protection | Electrical

Degree of protection (EN IEC 60529)	IP67
Additional condition protection degree	inserted, screwed
Försmutningsgrad	3
Rated surge voltage	1,5 kV
Material group (IEC 60664-1)	I

Mechanical data

Contour for corrugated hose	utan
-----------------------------	------

Mechanical data | Material data

Material screw connection	Zinc die-casting
Coating of fitting	nickel plated

Mechanical data | Mounting data

Monteringsmetod	inserted, screwed, Shaking protection
-----------------	---------------------------------------

Environmental characteristics | Climatic

Operating temperature min.	-30 °C
Operating temperature max.	85 °C
Additional condition temperature range	depending on cable quality

Important installation notes

Note on bending radius	Attention: Observe the permissible bending radii when laying cables, as the IP protection class can be endangered by excessive bending forces.
Note on strain relief	Protect the connectors by suitable measures from mechanical loads, e.g. by the usage of cable ties.

Conformity

Product standard	EN IEC 61076-2-101 (M12)
------------------	--------------------------

Installation | Cable

Cable identification	803
Function cable	Hybrid, Data, Power
Stranding	2 x 2 wires stranded
Stranding (type 2)	1 x 2 stranding combinations stranded

Cable shielding (type)	copper braid, tinned
Cable shielding (coverage)	65 %
Pair shielding (type)	Metal foil
Banding	Foil
Drain wire (cross-section)	22 AWG
Wire arrangement	(white, blue), (black, red)
Cable weight	57,38 g/m
Material wire insulation	PE
Amount wires	2
Outer diameter insulation	2,1 mm
Outer diameter tolerance core insulation	± 0,05 mm
Shore hardness wire insulation	65 ± 5 Shore D
Ingredient freeness wire insulation	halogenfri
Amount strands (wire)	19
Diameter of single wires	36 AWG
Conductor crosssection (wire)	24 AWG
Drain wire (cross-section)	22 AWG
Material conductor wire	copper stranded wire, tinned
Electrical function wire	Data
Material wire insulation (type 2)	PE
Outer diameter wire insulation (type 2)	1,5 mm
Tolerance outer diameter wire insulation (type 2)	± 0,05 mm
Shore hardness wire insulation (type 2)	65 ± 5 Shore D
Ingredient freeness wire insulation (type 2)	halogenfri
Amount wires (type 2)	2
Amount strands wire (type 2)	19
Diameter of single wires (type 2)	34 AWG
Conductor crosssection wire (type 2)	22 AWG
Material conductor wire (type 2)	copper stranded wire, tinned
Electrical function wire (type 2)	Power
Outer-diameter (jacket)	6,9 mm
Tolerance outer diameter (sheath)	± 5 %
Material mantel	PUR
Durezza rivestimento	89 ± 5 Shore A
Freedom from ingredients (jacket)	halogenfri
Conductor resistance (wire)	94.2 Ω/km @ 20 °C
Conductor resistance (wire type 2)	59.4 Ω/km @ 20 °C
Electric capacitance	40.000 pF/km
Isolationsmotstånd	5 GΩ × km
Nominal voltage max.	300 V
Withstand voltage (wire - wire)	2 kV @ 60 s
Withstand voltage (wire - shield)	2 kV @ 60 s
Current load capacity (standard)	to DIN VDE 0298-4
Current load capacity max. (wire)	3 A
Current load capacity max. Wire (type 2)	6 A
Characteristic impedance	120 Ω ± 10 % @ 10 MHz
Operating temperature min. (static)	-40 °C
Operating temperature max. (static)	80 °C
Operating temperature min. (dynamic)	-30 °C
Operating temperature max. (dynamic)	70 °C
Flame resistance	IEC 60332-1-2, UL 1581 § 1060, UL 1581 § 1090, UL 1581 § 1100
Oil resistance	IEC 60811-404, IRM 902
Ozone resistance	IEC 60811-403, EN 50396

UV resistance	UL 1581 § 1200 @ 300 h
Other resistances	good resistance to saturated hydrocarbons (diesel, kerosene, petrol ether), resistant to microbes, MUD-resistant (NEK 606)
Böjradie (fixerad)	6 × Outer diameter
Böjradie (vid rörelse)	10 × Outer diameter
No. of bending cycles (C-track)	1 Mio. @ 25 °C
Traversing distance (C-track)	5 m @ 25 °C
Travel speed (C-track)	3 m/s @ 25 °C
Acceleration (C-track)	5 m/s ² @ 25 °C