

M12 male 0° / M12 female 0° B-cod. shielded

PUR 1x2xAWG24 shielded vt UL/CSA+drag ch. 10m

Art.Nr.: 7000-44001-8401000

Vikt: 0,608 kg

Tillverknings land: CZ

Modellbeteckning: MSBBL0-BA-F840_10.0-ZS

Profibus

Hane rak, till rak hona

M12, 4-polig - M12, 2-polig

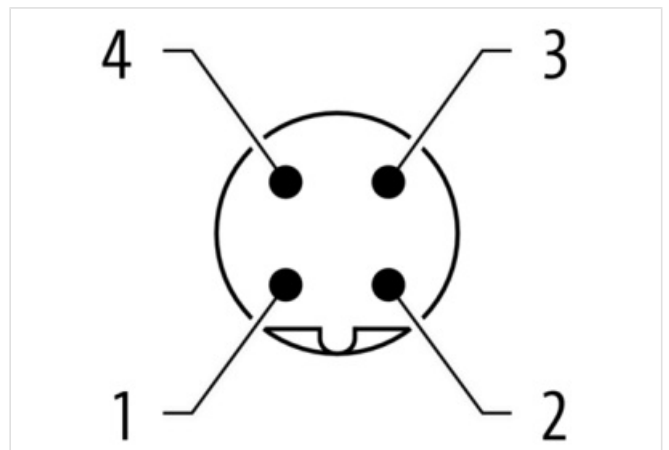
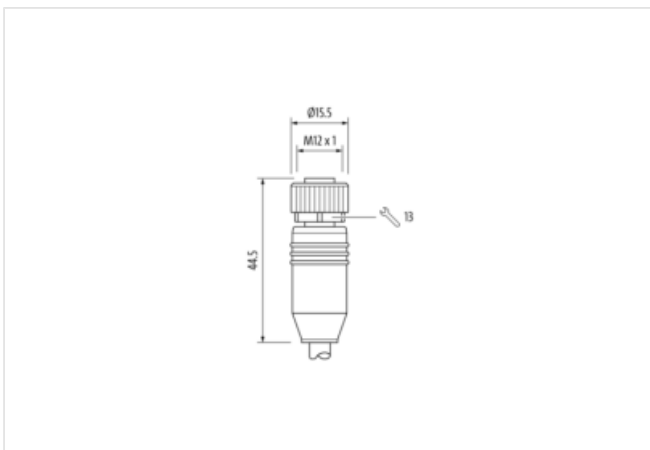
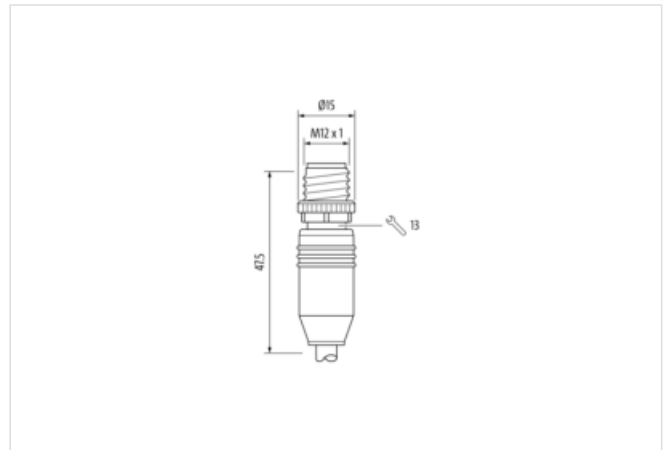
B-kodad

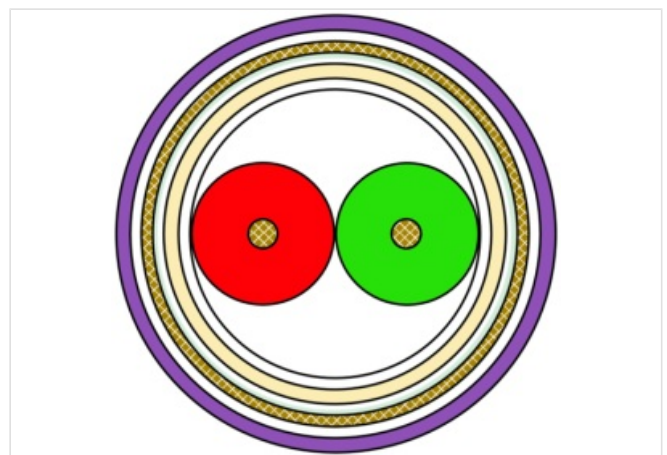
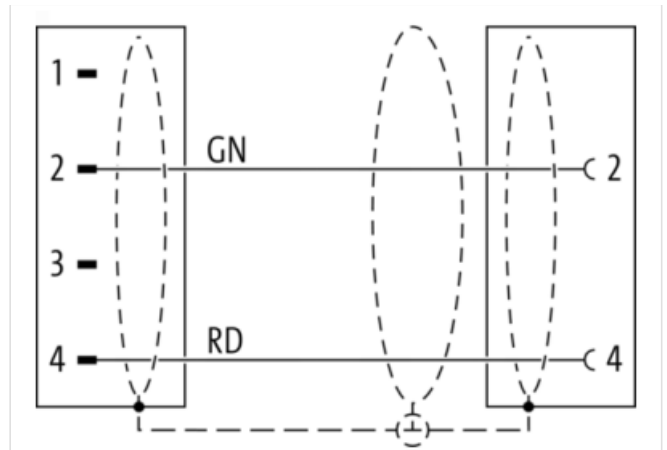
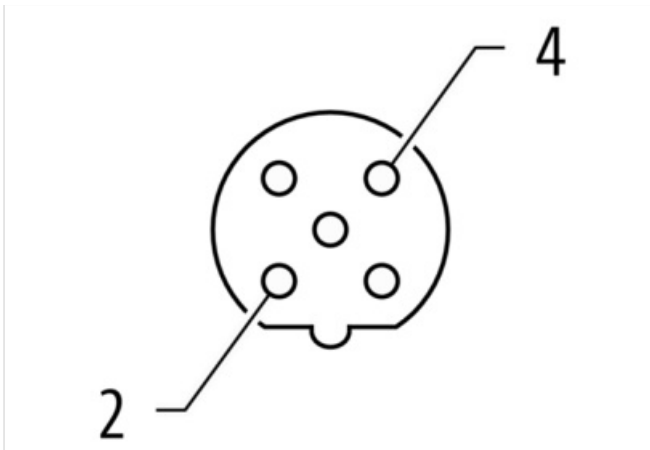
Skärmad

Husmaterialet är i plast med god kemisk-och oljebeständighet

Vid förekomst av aggressiv media är materialbeständighet applikationsavhängig och ska undersökas. Vidare information på begäran.

Ytterligare kabellängder kan fås på begäran.

[Länk till produkt](#)**Illustration**



Produkten kan skilja sig från bilden



Kabellängd	10,00 m
Side 1	
Family construction form	M12
Antal poler	2
Kodning	B
Gender	male
Monteringsmetod	inserted, screwed
Threaded hole	M12 x 1
Tightening torque	0,6 Nm
Width across flats	SW13
Kabelanslutning	rak
Material	PUR
Degree of protection (EN IEC 60529)	IP67, IP66K, IP65

Side 2	
Family construction form	M12
Antal poler	2
Kodning	B
Gender	female

Monteringsmetod	inserted, screwed
Threaded hole	M12 x 1
Tightening torque	0,6 Nm
Width across flats	SW13
Kabelanslutning	rak
Material	PUR
Degree of protection (EN IEC 60529)	IP67, IP66K, IP65

Kommersiella uppgifter

URL Webshop	https://shop.murrelektronik.com/7000-44001-8401000
EAN	4048879142243
Förpackningsenhet	1
Kundens tullnummer	85444290

Electrical data | Supply

Operating voltage AC max.	60 V
Operating voltage DC max.	60 V
Current operating per contact max.	4 A
Operating voltage AC (UL-listed)	30 V
Operating voltage DC (UL-listed)	30 V

Diagnostics

Status indication LED	No
-----------------------	----

Device protection | Electrical

Degree of protection (EN IEC 60529)	IP67, IP68, IP66K, IP65
Additional condition protection degree	inserted, screwed
Försmutningsgrad	3
Rated surge voltage	1,5 kV
Material group (IEC 60664-1)	I

Mechanical data

Contour for corrugated hose	utan
-----------------------------	------

Mechanical data | Material data

Låsningmaterial	Zinc die-casting
Coating locking	Nickeled

Mechanical data | Mounting data

Monteringsmetod	inserted, screwed, Shaking protection
-----------------	---------------------------------------

Environmental characteristics | Climatic

Operating temperature min.	-30 °C
Operating temperature max.	85 °C
Additional condition temperature range	depending on cable quality

Important installation notes

Note on bending radius	Attention: Observe the permissible bending radii when laying cables, as the IP protection class can be endangered by excessive bending forces.
Note on strain relief	Protect the connectors by suitable measures from mechanical loads, e.g. by the usage of cable ties.

Conformity

Product standard	EN IEC 61076-2-101 (M12)
------------------	--------------------------

Installation | Cable

Cable identification	840
Function cable	Data
Stranding	1 × 2 wires stranded
Cable shielding (type)	copper braid, tinned
Cable shielding (coverage)	70 %
Banding	Fleece, Foil

Wire arrangement	red, green
Cable weight	75 g/m
Material wire insulation	cell polyethylene
Amount wires	2
Outer diameter insulation	2,55 mm
Outer diameter tolerance core insulation	± 0,1 mm
Shore hardness wire insulation	65 ± 3 Shore D
Ingredient freeness wire insulation	halogenfri
Amount strands (wire)	19
Diameter of single wires	36 AWG
Conductor crosssection (wire)	24 AWG
Material conductor wire	Stranded copper wire, bare
Outer-diameter (jacket)	7,8 mm
Tolerance outer diameter (sheath)	± 5 %
Material mantel	PUR
Durezza rivestimento	90 ± 3 Shore A
Freedom from ingredients (jacket)	halogenfri
Material property (jacket)	abrasion-resistant, low adhesion, good machinability, matte
Material inner jacket	TPE-V
Color (inner jacket)	white
Conductor resistance (wire)	78 Ω/km @ 20 °C
Electrical capacity line constant (wire - wire)	30.000 pF/km
Isolationsmotstånd	5 GΩ × km
Nominal voltage max.	250 V
Withstand voltage (wire - wire)	1 kV @ 60 s
Withstand voltage (wire - jacket)	1 kV @ 60 s
Withstand voltage (wire - shield)	1 kV @ 60 s
Current load capacity (standard)	to DIN VDE 0298-4
Current load capacity max. (wire)	3 A
Characteristic impedance	150 Ω ± 10 % @ 1 MHz
Operating temperature min. (static)	-40 °C
Operating temperature max. (static)	80 °C
Operating temperature min. (dynamic)	-30 °C
Operating temperature max. (dynamic)	70 °C
Operating temperature min. (drag chain)	-30 °C
Operating temperature max. (drag chain)	70 °C
Flame resistance	IEC 60332-1-2, UL 1581 § 1060, UL 1581 § 1080, UL 1581 § 1090, UL 1581 § 1100
Oil resistance	IEC 60811-404, IRM 902
Ozone resistance	EN 50396
UV resistance	UL 1581 § 1200 @ 300 h
Other resistances	good resistance to saturated hydrocarbons (diesel, kerosene, petrol ether), resistant to hydrolysis, resistant to microbes
Böjradie (fixerad)	10 × Outer diameter
Böjradie (vid rörelse)	12 × Outer diameter
No. of bending cycles (C-track)	5 Mio. @ 25 °C
Traversing distance (C-track)	5 m @ 25 °C horizontal
Travel speed (C-track)	3 m/s @ 25 °C
Acceleration (C-track)	5 m/s ² @ 25 °C