

M23 female 90° with cable

PUR 12x0.34+3X0.75 gy, drag ch. 5m

Art.Nr.: 7000-23331-3880500

Vikt: 0,434 kg

Tillverknings land: DE

Modellbeteckning: MS23SNDD19-053_388_5.0

Hona vinklad

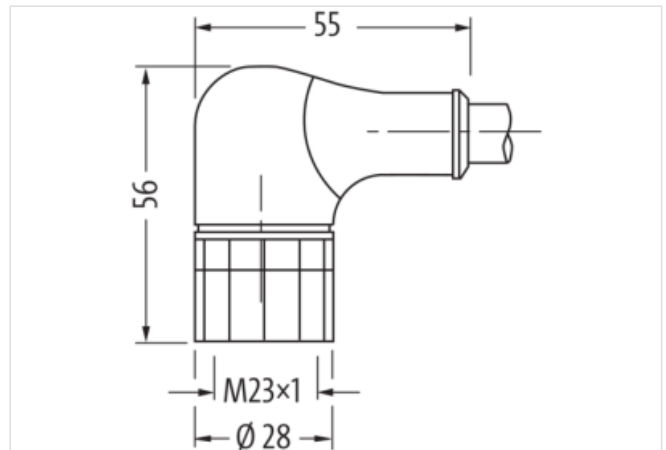
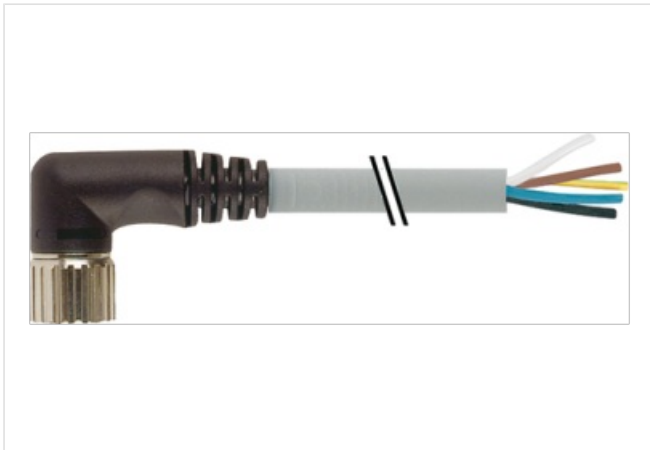
M23, 19-polig

15-polig ansluten

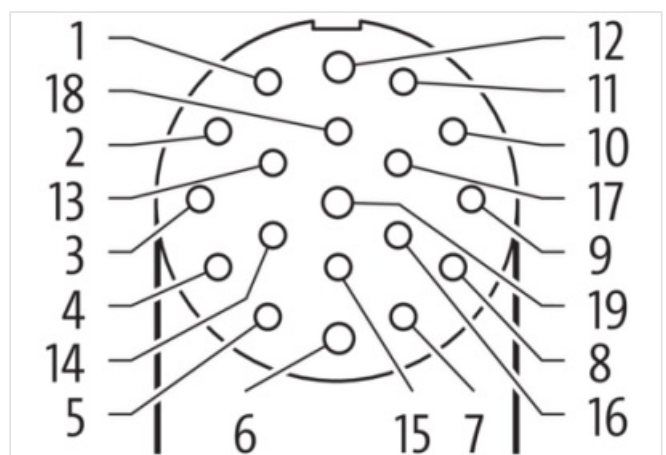
Ytterligare kabellängder kan fås på begäran.

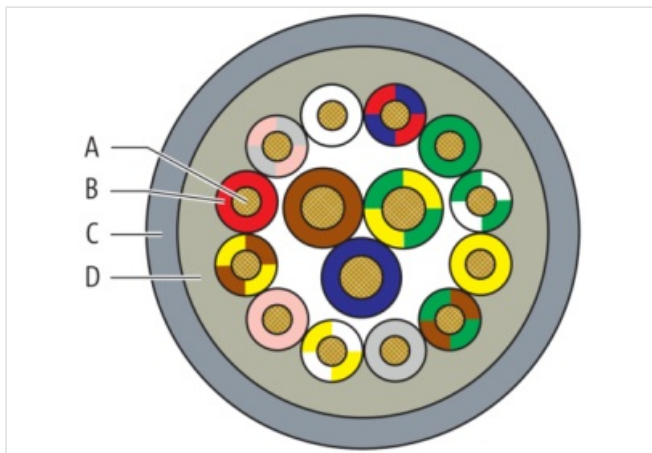
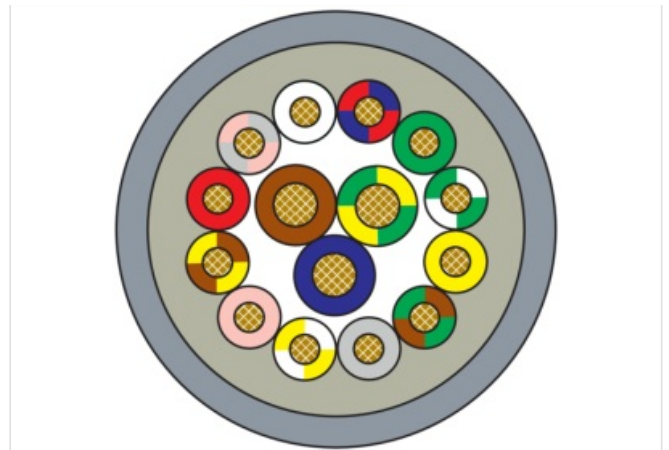
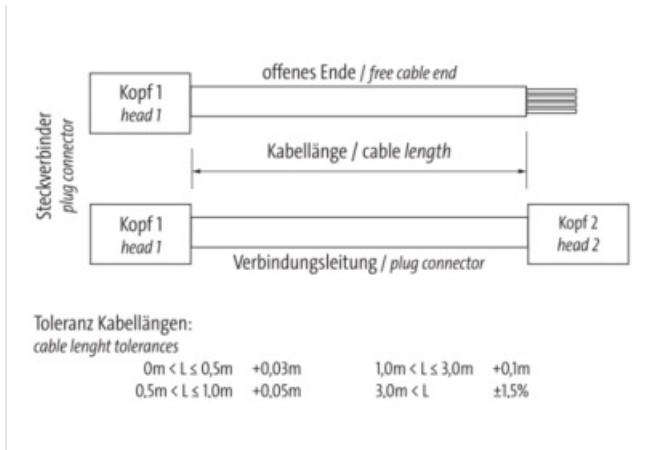
Husmaterialet är i plast med god kemisk-och oljebeständighet

Vid förekomst av aggressiv media är materialbeständighet applikationsavhängig och ska undersökas. Vidare information på begäran.

Länk till produkt**Illustration**

1 >	RD
2 >	GY
3 >	RD BU
4 >	GN
5 >	BU
6 >	GY PK
7 >	GN WH
8 >	YE WH
9 >	
10 >	
11 >	GN YE
12 >	BN YE
13 >	BN GN
14 >	WH
15 >	YE
16 >	PK
17 >	
18 >	
19 >	BN





Produkten kan skilja sig från bilden



Kabellängd 5,00 m

Side 1

Family construction form	M23
Antal poler	15
Monteringsmetod	inserted, screwed
Threaded hole	M23 x 1
Tightening torque	2 Nm
Width across flats	SW27
Kabelanslutning	angled
suitable for corrugated tube (internal Ø)	16 mm
Material	PUR
Degree of protection (EN IEC 60529)	IP67

Side 2

Family construction form free cable end

Kommersiella uppgifter

URL Webshop	https://shop.murrelektronik.com/7000-23331-3880500
EAN	4048879187909

Förpackningsenhet	1
Kundens tullnummer	85444290
Electrical data Supply	
Operating voltage AC max.	125 V
Operating voltage DC max.	125 V
Current operating per contact max.	7,5 A
Diagnostics	
Status indication LED	No
Installation Connection	
Gender	female
Monteringsatts	M23 x 1
Device protection Electrical	
Additional condition protection degree	inserted, screwed
Försmutningsgrad	3
Rated surge voltage	2,5 kV
Material group (IEC 60664-1)	I
Mechanical data Material data	
Material screw connection	Mässing
Coating of fitting	nickel plated
Mechanical data Mounting data	
Monteringsmetod	inserted, screwed, Shaking protection
Important installation notes	
Note on bending radius	Attention: Observe the permissible bending radii when laying cables, as the IP protection class can be endangered by excessive bending forces.
Note on strain relief	Protect the connectors by suitable measures from mechanical loads, e.g. by the usage of cable ties.
Installation Cable	
Cable identification	388
Kabeltyp	2
Function cable	Signal
Amount stranding	1
Stranding	3 wires stranded
Amount stranding (type 2)	1
Stranding (type 2)	12 wires stranded around stranding combination
Cable weight	148 g/m
Material wire insulation	PVC
Amount wires	12
Outer diameter insulation	1,3 mm
Outer diameter tolerance core insulation	± 0,1 mm
Shore hardness wire insulation	43 ± 5 Shore D
Material properties wire insulation	good machinability
Ingredient freeness wire insulation	lead-free, cadmium-free, CFC-free, silicone-free
Amount strands (wire)	19
Diameter of single wires	0,15 mm
Conductor crosssection (wire)	0,34 mm ²
Material conductor wire	Stranded copper wire, bare
Conductor type (wire)	Strand class 5
Material wire insulation (type 2)	PVC
Outer diameter wire insulation (type 2)	1,8 mm
Tolerance outer diameter wire insulation (type 2)	± 0,1 mm
Shore hardness wire insulation (type 2)	43 ± 5 Shore D

Material properties wire insulation (type 2)	good machinability
Ingredient freeness wire insulation (type 2)	lead-free, cadmium-free, CFC-free, silicone-free
Amount wires (type 2)	3
Amount strands wire (type 2)	42
Diameter of single wires (type 2)	0,15 mm
Conductor crosssection wire (type 2)	0,75 mm ²
Material conductor wire (type 2)	Stranded copper wire, bare
Wire conductor type (type 2)	strand class 6
Electrical function wire (type 2)	Power
Outer-diameter (jacket)	9,2 mm
Tolerance outer diameter (sheath)	± 5 %
Material mantel	PUR
Durezza rivestimento	87 ± 5 Shore A
Freedom from ingredients (jacket)	lead-free, cadmium-free, CFC-free, silicone-free
Material property (jacket)	abrasion-resistant, low adhesion, good machinability, matte
Material inner jacket	PVC
Color (inner jacket)	grå
Conductor resistance (wire)	57 Ω/km @ 20 °C
Max. rated voltage (conductor - ground)	300 V
Max. rated voltage (conductor - conductor)	300 V
Withstand voltage (wire - wire)	2 kV @ 60 s
Withstand voltage (wire - jacket)	2 kV @ 60 s
Current load capacity (standard)	to DIN VDE 0298-4
Current load capacity max. (wire)	4 A
Current load capacity max. Wire (type 2)	12 A
Operating temperature min. (static)	-30 °C
Operating temperature max. (static)	80 °C
Operating temperature min. (dynamic)	-5 °C
Operating temperature max. (dynamic)	70 °C
Operating temperature min. (drag chain)	-5 °C
Operating temperature max. (drag chain)	60 °C
Flame resistance	UL 1581 § 1090, CSA FT2, IEC 60332-2-2
Oil resistance	IEC 60811-404
Chemical resistance	good
Other resistances	good resistance to gasoline, resistant to hydrolysis, resistant to microbes
Böjradie (fixerad)	5 × Outer diameter
Böjradie (vid rörelse)	10 × Outer diameter
No. of bending cycles (C-track)	2 Mio. @ 25 °C
Traversing distance (C-track)	5 m @ 25 °C
Travel speed (C-track)	2 m/s @ 25 °C
Acceleration (C-track)	10 m/s ² @ 25 °C