

M23 female 90° with cable

PUR 8x0.5+3x1.0 gy UL/CSA+drag ch. 5m

Art.Nr.: 7000-23311-4480500

Vikt: 0,758 kg

Tillverknings land: DE

Modellbeteckning: MS23SNDD19-052_448_5.0

Hona vinklad

M23, 19-polig

11-polig ansluten

för distributionsbox 4-facks, 5-polig

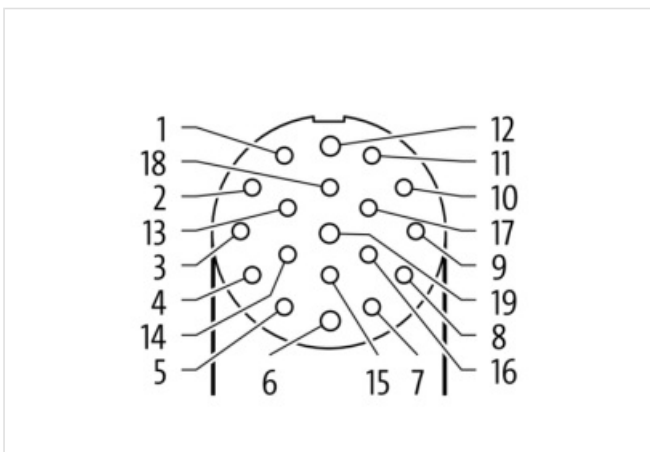
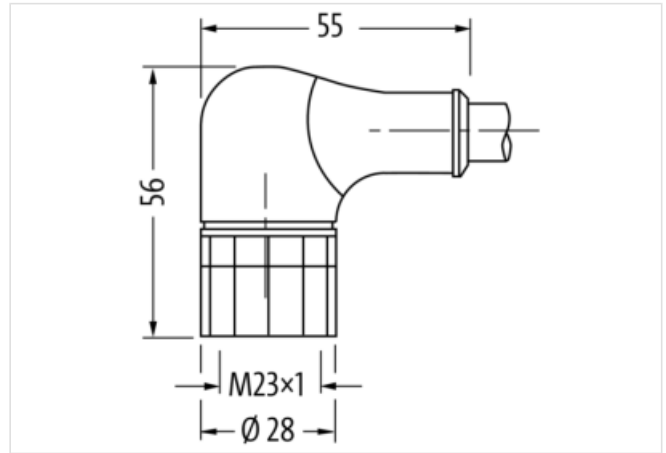
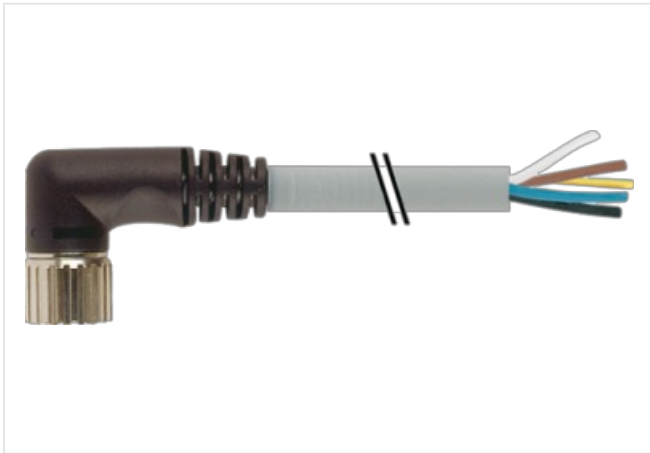
Ytterligare kabellängder kan fås på begäran.

Husmaterialet är i plast med god kemisk-och oljebeständighet

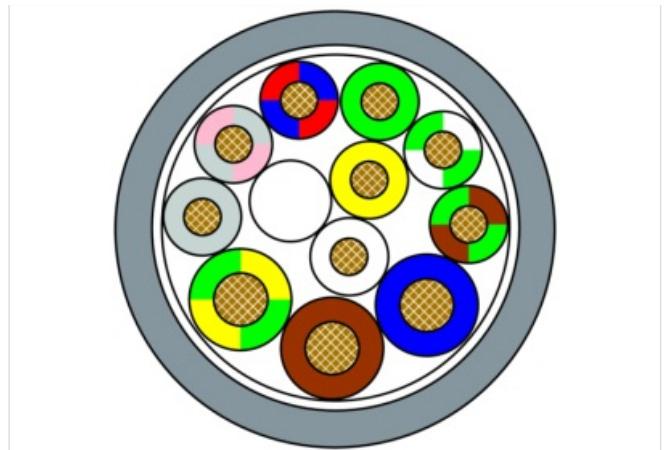
Vid förekomst av aggressiv media är materialbeständighet applikationsavhängig och ska undersökas. Vidare information på begäran.

[Länk till produkt](#)

Illustration



1 >	
2 >	
3 >	GY
4 >	RD BU
5 >	GN
6 >	BU
7 >	GY PK
8 >	GN WH
9 >	
10 >	
11 >	
12 >	GN YE
13 >	
14 >	BN GN
15 >	WH
16 >	YE
17 >	
18 >	
19 >	BN



Produkten kan skilja sig från bilden

Kabellängd	5,00 m
Side 1	
Family construction form	M23
Monteringsmetod	inserted, screwed
Threaded hole	M23 x 1
Tightening torque	2 Nm
Width across flats	SW27
Kabelanslutning	angled
suitable for corrugated tube (internal Ø)	16 mm
Material	PUR
Degree of protection (EN IEC 60529)	IP67, IP65
Side 2	
Family construction form	free cable end
Kommersiella uppgifter	
URL Webshop	https://shop.murrelektronik.com/7000-23311-4480500
Customs tariff number	85444290
EAN	4048879187930
Förpackningsenhet	1
Kundens tullnummer	85444290
Electrical data Supply	
Operating voltage AC max.	125 V
Operating voltage DC max.	125 V
Current operating per contact max.	7,5 A
Diagnostics	
Status indication LED	No
Installation Connection	
Gender	male
Monteringssats	M23 x 1
Device protection Electrical	
Försmutningsgrad	3
Rated surge voltage	2,5 kV
Material group (IEC 60664-1)	I
Mechanical data Material data	
Screw connection	Mässing
Coating of fitting	nickel plated

Låsningmaterial	Mässing
Coating locking	nickel plated
Mechanical data Mounting data	
Monteringsmetod	inserted, screwed
Environmental characteristics Climatic	
Operating temperature min.	-25 °C
Operating temperature max.	85 °C
Additional condition temperature range	depending on cable quality
Important installation notes	
Note on bending radius	Attention: Observe the permissible bending radii when laying cables, as the IP protection class can be endangered by excessive bending forces.
Note on strain relief	Protect the connectors by suitable measures from mechanical loads, e.g. by the usage of cable ties.
Installation Cable	
Cable identification	448
Kabeltyp	3
Function cable	Hybrid
Cable weighth	133 g/m
UL AWM Style	20549 / 10493
Stranding	1 × 2 wires stranded with filler
Stranding factor min.	51 mm
Stranding factor max.	51 mm
Stranding (type 2)	1 × 9 wires stranded in opposite direction
Stranding factor min. (type 2)	100 mm
Stranding factor max. (type 2)	100 mm
Banding	Fleece
Filler	Yes
Wire arrangement	(YE, WH), GY, GYPK, RDBU, GN, GNWH, BNGN, BU, BN, GNYE
Material wire insulation	PP
Amount wires	8
Outer diameter insulation	1.6 mm ± 0.1 mm
Conductor crosssection (wire)	0,5 mm ²
Material conductor wire	Stranded copper wire, bare
Core construction (wire)	64 × 0.1 mm
Ingredient freeness wire insulation	halogenfri
Material wire insulation (type 2)	PP
Amount wires (type 2)	3
Outer diameter wire insulation (type 2)	2.1 mm ± 0.1 mm
Conductor crosssection (wire type 2)	1 mm ²
Material conductor wire (type 2)	Stranded copper wire, bare
Core construction (wire type 2)	128 × 0.1 mm
Ingredient freeness wire insulation (type 2)	halogenfri
Material mantel	PUR
Outer-diameter (jacket)	9 mm ± 5 %
Mantelfärg	gray / RAL 7040
Freedom from ingredients (jacket)	halogenfri
Material property (jacket)	abrasion-resistant, low adhesion, good machinability, matte
Conductor resistance (wire)	39 Ω/km @ 20 °C
Conductor resistance (wire type 2)	19.5 Ω/km @ 20 °C
Max. rated voltage (conductor - ground)	300 V
Max. rated voltage (conductor - conductor)	500 V
Withstand voltage (wire - wire)	2 kV @ 60 s
Withstand voltage (wire - jacket)	2 kV @ 60 s
Current load capacity max. (wire)	5,9 A

Current load capacity max. Wire (type 2)	15 A
Current load capacity (standard)	to DIN VDE 0298-4
Operating temperature (static)	-40 °C ... 80 °C / 90 °C @ 10000 h Operation
Operating temperature (dynamic)	-25 °C ... 80 °C / 90 °C @ 10000 h Operation
Operating temperature (drag chain)	-5 °C ... 60 °C
Flame resistance	IEC 60332-1-2
Oil resistance	good
Chemical resistance	good
Ozone resistance	IEC 60811-403
UV resistance	UL 1581 § 1200
Other resistances	resistant to mineral oils, greases, machine and gear oils and cooling lubricants, good resistance to gasoline, resistant to hydrolysis, resistant to microbes
Kommentarer	application-related testing
Böjradie (fixerad)	7.5 × Outer diameter
Böjradie (vid rörelse)	10 × Outer diameter
No. of bending cycles (C-track)	5 Mio. @ 25 °C
Traversing distance (C-track)	5 m @ 25 °C horizontal
Travel speed (C-track)	2 m/s @ 25 °C
Acceleration (C-track)	5 m/s ² @ 25 °C
No. of torsion cycles	0.5 Mio. @ 25 °C
Torsion stress	± 180 °/m