

**M8 male 0° A-cod. IDC**

3-pol., 0,14 - 0,34mm<sup>2</sup>, 2,5 - 5,1mm

Art.Nr.: 7000-08331-0000000

Vikt: 0,018 kg

Tillverknings land: DE

Modellbeteckning: MSHL0-AC-R MOSA 0,14-0,34qmm

IDC terminaler

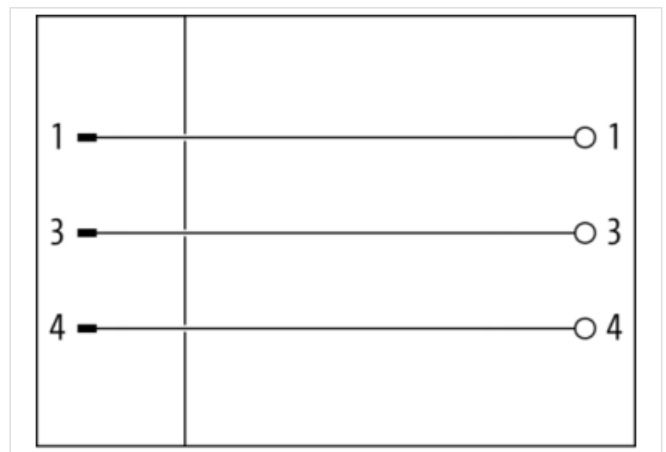
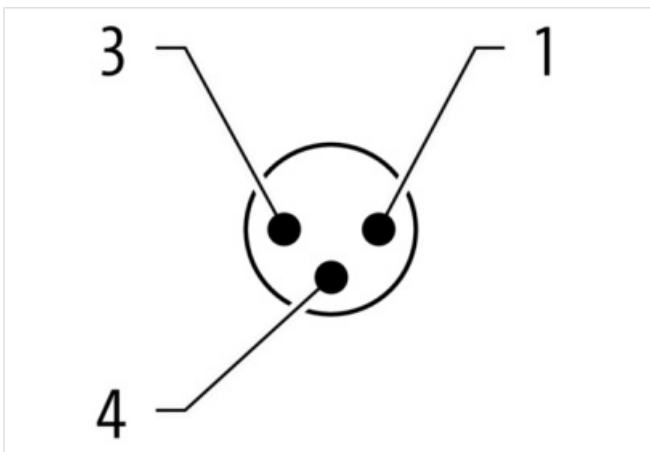
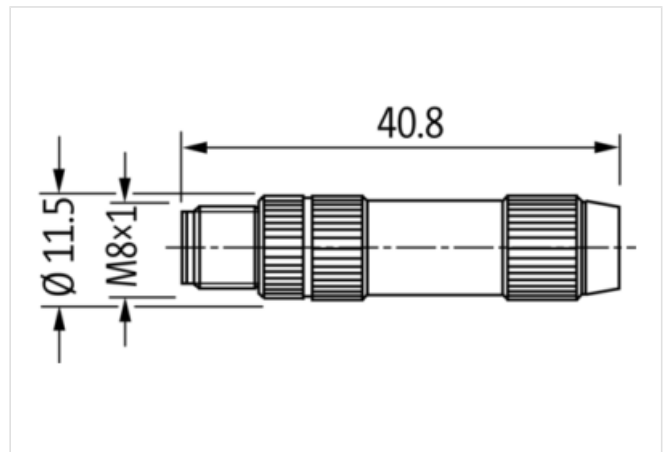
Hane, rak

M8, 3-polig

Anslutningsarea: 0.14...0.34 mm<sup>2</sup>

[Länk till produkt](#)

Illustration



Produkten kan skilja sig från bilden



Side 1

Family construction form	M8
Antal poler	3
Gender	male

Monteringsmetod	inserted, screwed
Width across flats	SW9
Kabelanslutning	rak
Material	PA
Material contact	Copper alloy
Degree of protection (EN IEC 60529)	IP67

**Side 2**

Monteringsmetod	fältkopplingsbar
-----------------	------------------

**Kommersiella uppgifter**

URL Webshop	<a href="https://shop.murrelektronik.com/7000-08331-0000000">https://shop.murrelektronik.com/7000-08331-0000000</a>
GTIN	4048879224734
ECLASS-6.0	27279221
ECLASS-6.1	27260702
ECLASS-7.0	27440102
ECLASS-7.1	27440102
ECLASS-8.0	27440102
ECLASS-8.1	27440102
ECLASS-9.0	27440116
ECLASS-9.1	27440106
ECLASS-10.0.1	27440106
ECLASS-10.1	27440102
ECLASS-11.0	27440106
ECLASS-11.1	27440102
ECLASS-12.0	27440116
ECLASS-13.0	27440106
ECLASS-14.0	27440106
ETIM-5.0	EC002635
ETIM-6.0	EC002635
ETIM-7.0	EC002635
ETIM-8.0	EC002635
EAN	4048879224734
Förpackningsenhet	1
Kundens tullnummer	85366990

**Electrical data | Supply**

Operating voltage AC max.	32 V
Operating voltage DC max.	32 V
Current operating per contact max.	4 A

**Installation**

Single wire diameter min.	0,1 mm
Connection cross section min.	0,14 mm <sup>2</sup>
Connection cross section max.	0,34 mm <sup>2</sup>

**Installation | Connection**

Anslutning	Cut clamps IDC
Tightening torque	0,4 Nm
Monteringssats	M8 x 1
Mating cycles min.	100
Wire insulation diameter min.	1 mm
Wire insulation diameter max.	1,6 mm

**Installation | Pin assignment**

Konfiguration	fully used
---------------	------------

**Device protection | Electrical**

Additional condition protection degree	inserted, screwed
Försmutningsgrad	3
Overvoltage category (EN 60950-1)	III
Rated surge voltage	0,8 kV
Insulation resistance min.	100 mΩ
Material group (IEC 60664-1)	I

#### Mechanical data | Material data

Låsningmaterial	Zinc die-casting
Coating locking	Nickeled

#### Mechanical data | Mounting data

Height	40,8 mm
Width	11,5 mm
Depth	11,5 mm
Monteringsmetod	inserted, screwed, Shaking protection
Clamping range min.	2,5 mm
Clamping range max.	5,1 mm

#### Environmental characteristics | Climatic

Operating temperature min.	-25 °C
Operating temperature max.	85 °C

#### Important installation notes

Note on bending radius	<b>Attention:</b> Observe the permissible bending radii when laying cables, as the IP protection class can be endangered by excessive bending forces.
Note on strain relief	Protect the connectors by suitable measures from mechanical loads, e.g. by the usage of cable ties.

#### Conformity

Product standard	EN IEC 61076-2-114 (M8)
------------------	-------------------------