

MTL 1-PHASE CONTROL AND ISOLATION TRANSFORMER

P: 400VA IN: 230/400VAC +/- 15VAC OUT: 2x115VAC

Art.Nr.: 86477

Vikt: 7,320 kg

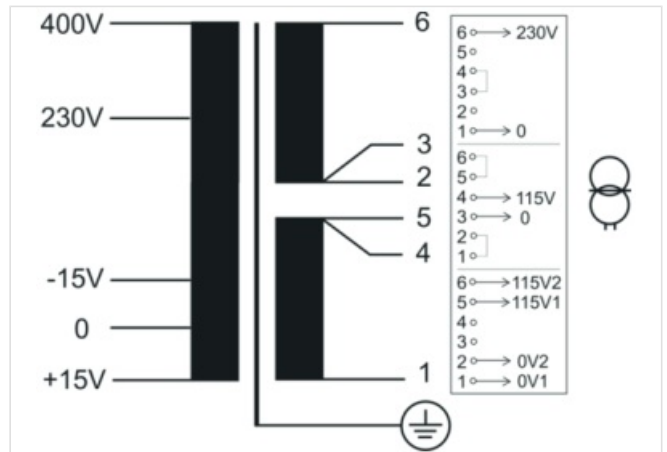
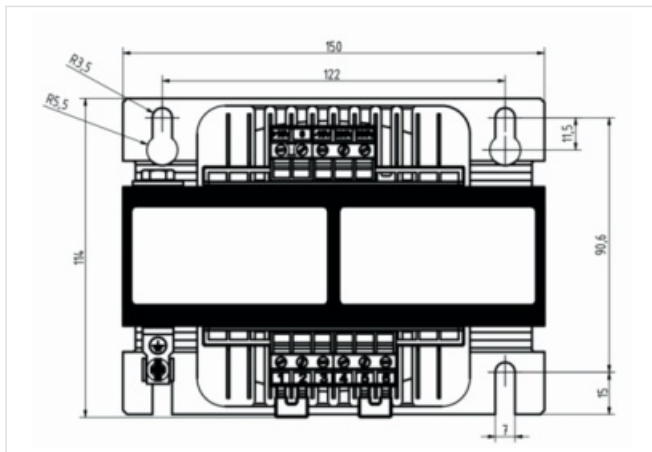
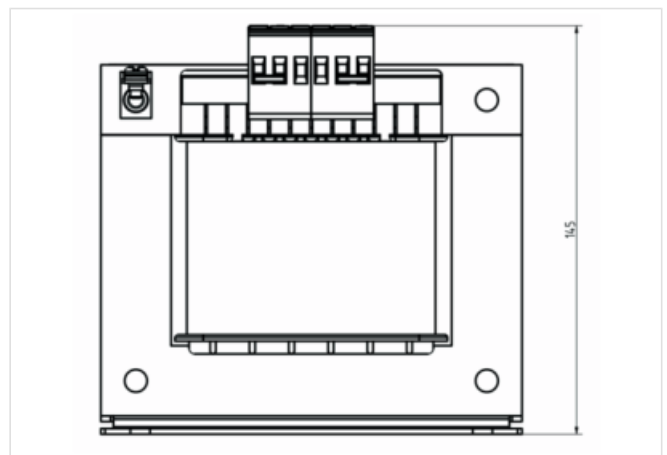
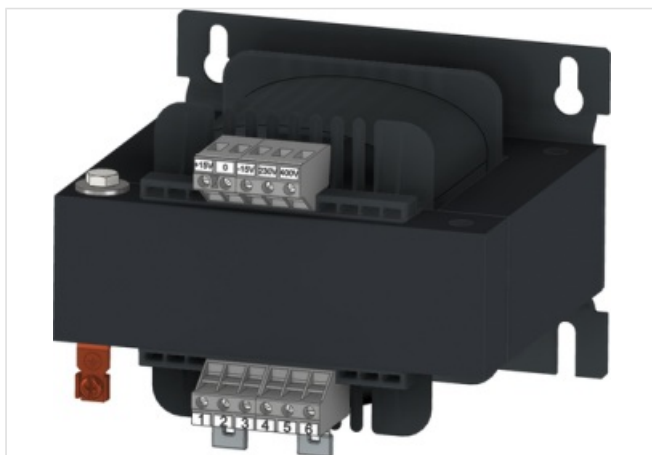
Tillverknings land: CZ

Modellbeteckning: MTL 0400-230-400+-15V/2x115

The MTL series comprises single-phase control transformers/isolating transformers of the protection class I and protection degree IP20 with double insulation between the primary and secondary windings for general use in industrial applications.

Länk till produkt

Illustration



Produkten kan skilja sig från bilden



Kommersiella uppgifter

URL Webshop	https://shop.murrelektronik.com/86477
GTIN	4048879078160
Customs tariff number	85043180
ECLASS-6.0	27031302

ECLASS-6.1	27031302
ECLASS-7.0	27031302
ECLASS-7.1	27031302
ECLASS-8.0	27031302
ECLASS-8.1	27031302
ECLASS-9.0	27031302
ECLASS-9.1	27031302
ECLASS-10.0.1	27031302
ECLASS-10.1	27031302
ECLASS-11.0	27031302
ECLASS-11.1	27031302
ECLASS-12.0	27031302
ECLASS-13.0	27031302
ECLASS-14.0	27031302
ETIM-5.0	EC002486
ETIM-6.0	EC002486
ETIM-7.0	EC002486
ETIM-8.0	EC002486
EAN	4048879078160
Förpackningsenhet	1
Kundens tullnummer	85043180

Electrical data | Supply

Power frequency	50 ... 60 Hz
-----------------	--------------

Electrical data | Input

Nominal input voltage AC	230 V ... 400 V
Input voltage 1 AC min.	195,5 V
Input voltage 1 AC max.	264,5 V
Input voltage 2 AC min.	340 V
Input voltage 2 AC max.	460 V
Nominal current AC	2 A @ 230 V, 1.17 A @ 400 V
Inrush current at input voltage 1	32 A
Inrush current at input voltage 2	18,48 A
Short-circuit current at input voltage 1	59 A
Short-circuit current at input voltage 2	34,1 A

Electrical data | Output

Output voltage adjustable	Yes
Utgångsspänning	1 × 230 / 1 × 115 / 2 × 115 V AC
Output voltage AC 1	230 V
Output voltage AC 2	115 V
Power rating AC max.	400 VA

Device protection | Electrical

Insulation test voltage input - output	4 kV
--	------

Mechanical data | Mounting data

Height	113 mm
Width	151 mm
Depth	146 mm
Monteringsmetod	geschnappt
Suitable for mounting type	(EN 60715), Keyhole mounting, Mounting rail TH35-15
Mounting dimension a	95 mm
Mounting dimension b	122 mm
Mounting dimension c	7 mm
Diameter bore	7 mm

Length bore 11 mm

Environmental characteristics | Climatic

Operating temperature min. -20 °C

Operating temperature max. 60 °C

Conformity

Product standard EN IEC 61558-1, EN IEC 61558-2-4

Connection type 2

Connection type 1 Ingång

Connection type 2 Output

Family construction form terminal

Antal poler 5

Gender female

Anslutning Screw terminals SK

PIN 1 + 15 V

PIN 3 - 15 V

PIN 4 230 V

PIN 5 400 V

Family construction form terminal

Antal poler 7

Gender female

Anslutning Screw terminals SK

PIN 1 PE

PIN 2 1

PIN 3 2

PIN 4 3

PIN 5 4

PIN 6 5

PIN 7 6