

## MTS 1-PHASE SAFETY TRANSFORMER

P: 250VA IN: 230/400VAC OUT: 24VAC

Art.Nr.: 86345

Vikt: 3,980 kg

Tillverknings land: CZ

Modellbeteckning: MTS 0250-230-400/24

Enfas skyddstransformator

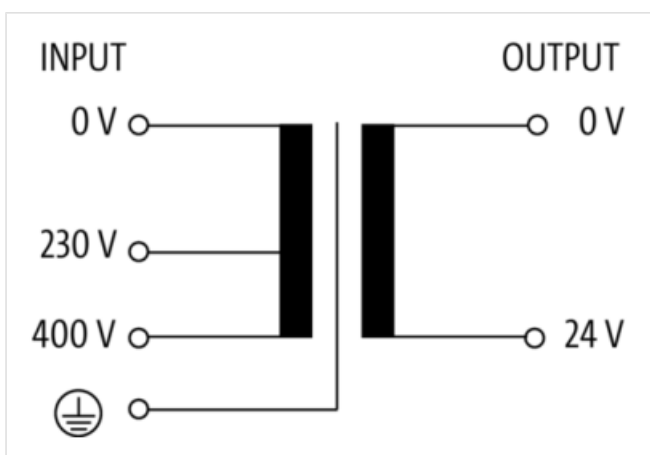
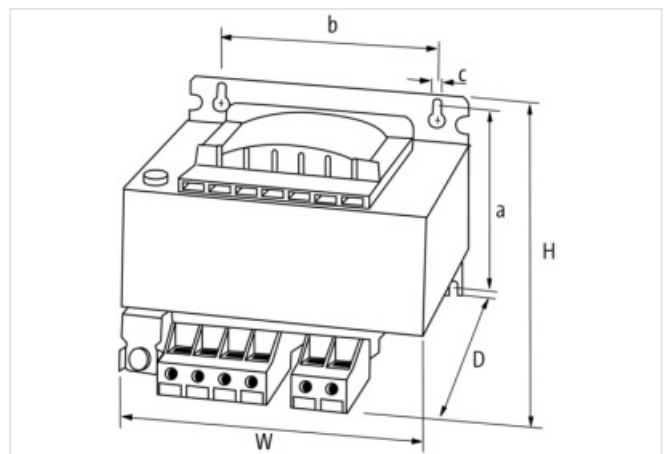
250 VA

Isolationsklass T 40/B

Andra spänningar på begäran.

### Länk till produkt

#### Illustration



Produkten kan skilja sig från bilden



#### Kommersiella uppgifter

URL Webshop <https://shop.murrelektronik.com/86345>

GTIN 4048879078511

Customs tariff number 85043180

ECLASS-6.0	27031302
ECLASS-6.1	27031302
ECLASS-7.0	27031302
ECLASS-7.1	27031302
ECLASS-8.0	27031302
ECLASS-8.1	27031302
ECLASS-9.0	27031302
ECLASS-9.1	27031302
ECLASS-10.0.1	27031302
ECLASS-10.1	27031302
ECLASS-11.0	27031302
ECLASS-11.1	27031302
ECLASS-12.0	27031302
ECLASS-13.0	27031302
ECLASS-14.0	27031302
ETIM-5.0	EC002486
ETIM-6.0	EC002486
ETIM-7.0	EC002486
ETIM-8.0	EC002486
EAN	4048879078511
Förpackningsenhet	1
Kundens tullnummer	85043180
<b>Electrical data   Supply</b>	
Protective measure	SELV
Power frequency	50 ... 60 Hz
<b>Electrical data   Input</b>	
Nominal input voltage AC	230 V ... 400 V
Nominal current AC	1.2 A @ 230 V, 0.69 A @ 400 V
Inrush current at input voltage 1	8,2 A
Inrush current at input voltage 2	4,74 A
Short-circuit current at input voltage 1	1,83 A
Short-circuit current at input voltage 2	1,02 A
<b>Electrical data   Output</b>	
Output voltage adjustable	No
Output voltage AC	24 V
Power rating AC max.	250 VA
<b>Device protection   Electrical</b>	
Insulation test voltage input - output	4 kV
<b>Mechanical data   Mounting data</b>	
Height	102 mm
Width	96 mm
Depth	108 mm
Monteringsmetod	geschnappt
Suitable for mounting type	Långhålsmontage, (EN 60715)
Mounting dimension a	86,5 mm
Mounting dimension b	84 mm
Mounting dimension c	4,8 mm
Diameter bore	4,8 mm
Length bore	8,4 mm
<b>Environmental characteristics   Climatic</b>	
Operating temperature min.	-20 °C
Operating temperature max.	40 °C

Ambient temperature (storage, transport) -40 °C ... 80 °C

#### Conformity

Product standard EN IEC 61558-2-4, EN IEC 61558-2-6

#### Connection type 3

Connection type 1	Ingång
Connection type 2	Output
Family construction form	terminal
Antal poler	3
Gender	female
Anslutning	Screw terminals SK
PIN 2	230 V
PIN 3	400 V
Family construction form	terminal
Antal poler	2
Gender	female
Anslutning	Screw terminals SK
PIN 2	24 V DC
Family construction form	terminal
Antal poler	1
Gender	female
Color contact carrier	metallic
Anslutning	Screw terminals SK
PIN 1	PE