

MTS 1-PHASE SAFETY TRANSFORMER

P: 40VA IN: 230/400VAC OUT: 24VAC

Art.Nr.: 86340

Vikt: 1,182 kg

Tillverknings land: CZ

Modellbeteckning: MTS 0040-230-400/24

Enfas skyddstransformator

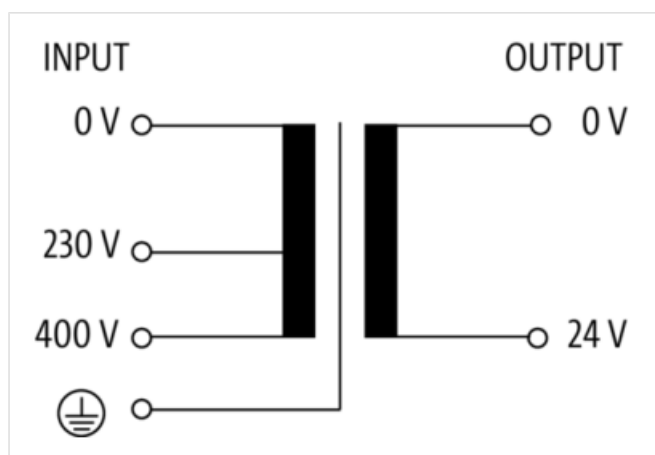
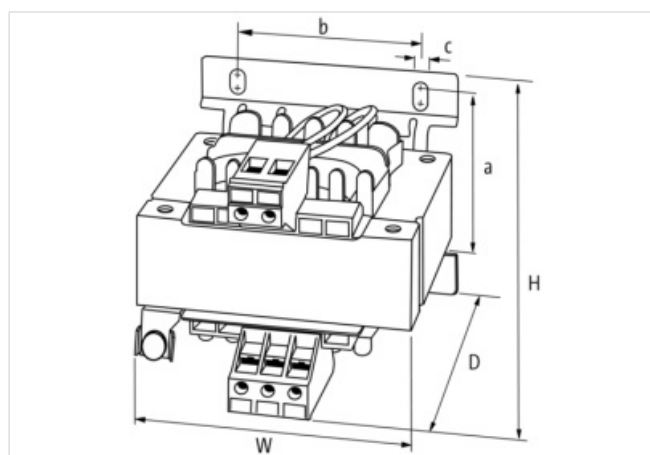
40 VA

Isolationsklass T 40/B

Andra spänningar på begäran.

Länk till produkt

Illustration



Produkten kan skilja sig från bilden



Kommersiella uppgifter

URL Webshop

<https://shop.murrelektronik.com/86340>

GTIN

4048879078559

Customs tariff number

85043180

ECLASS-6.0	27031302
ECLASS-6.1	27031302
ECLASS-7.0	27031302
ECLASS-7.1	27031302
ECLASS-8.0	27031302
ECLASS-8.1	27031302
ECLASS-9.0	27031302
ECLASS-9.1	27031302
ECLASS-10.0.1	27031302
ECLASS-10.1	27031302
ECLASS-11.0	27031302
ECLASS-11.1	27031302
ECLASS-12.0	27031302
ECLASS-13.0	27031302
ECLASS-14.0	27031302
ETIM-5.0	EC002486
ETIM-6.0	EC002486
ETIM-7.0	EC002486
ETIM-8.0	EC002486
EAN	4048879078559
Förpackningsenhet	1
Kundens tullnummer	85043180
Electrical data Supply	
Protective measure	SELV
Power frequency	50 ... 60 Hz
Electrical data Input	
Nominal input voltage AC	230 V ... 400 V
Nominal current AC	0.24 A @ 230 V, 0.14 A @ 400 V
Inrush current at input voltage 1	1,61 A
Inrush current at input voltage 2	0,94 A
Short-circuit current at input voltage 1	1,83 A
Short-circuit current at input voltage 2	1,02 A
Electrical data Output	
Output voltage adjustable	No
Output voltage AC	24 V
Power rating AC max.	40 VA
Device protection Electrical	
Insulation test voltage input - output	4 kV
Mechanical data Mounting data	
Height	78 mm
Width	78 mm
Depth	93 mm
Monteringsmetod	geschnappt
Suitable for mounting type	Långhålsmontage, (EN 60715)
Mounting dimension a	56 mm
Mounting dimension b	56 mm
Mounting dimension c	4,8 mm
Diameter bore	4,8 mm
Length bore	8,4 mm
Environmental characteristics Climatic	
Operating temperature min.	-20 °C
Operating temperature max.	40 °C

Ambient temperature (storage, transport) -40 °C ... 80 °C

Conformity

Product standard EN IEC 61558-2-4, EN IEC 61558-2-6

Connection type 3

Connection type 1	Ingång
Connection type 2	Output
Family construction form	terminal
Antal poler	3
Gender	female
Anslutning	Screw terminals SK
PIN 2	230 V
PIN 3	400 V
Family construction form	terminal
Antal poler	2
Gender	female
Anslutning	Screw terminals SK
PIN 2	24 V DC
Family construction form	terminal
Antal poler	1
Gender	female
Color contact carrier	metallic
Anslutning	Screw terminals SK
PIN 1	PE