

## MST 1-PHASE SAFETY TRANSFORMER

P: 800VA IN: 230/400VAC OUT: 24VAC

Art.Nr.: 86330

Vikt: 10,100 kg

Tillverknings land: CZ

Modellbeteckning: MST 0800-230-400/24

Enfas skyddstransformator

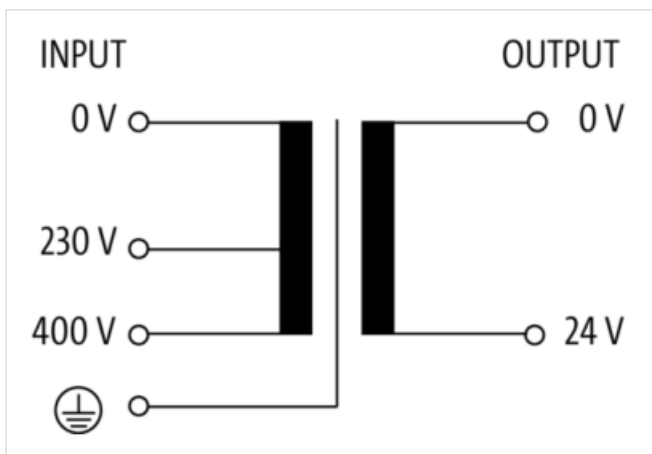
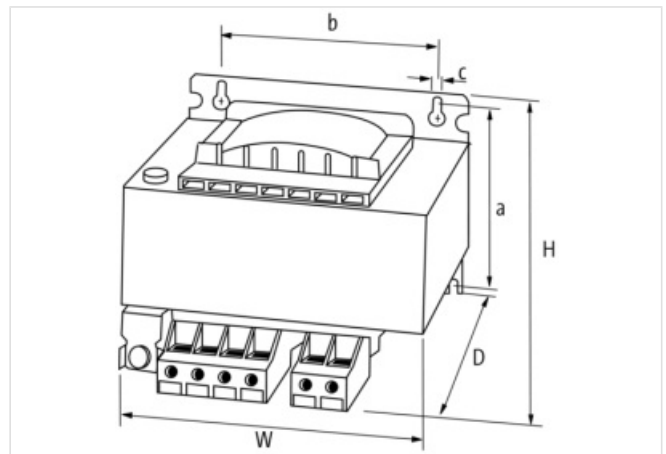
800 VA

Isolationsklass T 40/B

Andra spänningar på begäran.

### Länk till produkt

#### Illustration



Produkten kan skilja sig från bilden



#### Kommersiella uppgifter

URL Webshop

<https://shop.murrelektronik.com/86330>

GTIN

4048879078573

Customs tariff number

85043180

ECLASS-6.0	27031302
ECLASS-6.1	27031302
ECLASS-7.0	27031302
ECLASS-7.1	27031302
ECLASS-8.0	27031302
ECLASS-8.1	27031302
ECLASS-9.0	27031302
ECLASS-9.1	27031302
ECLASS-10.0.1	27031302
ECLASS-10.1	27031302
ECLASS-11.0	27031302
ECLASS-11.1	27031302
ECLASS-12.0	27031302
ECLASS-13.0	27031302
ECLASS-14.0	27031302
ETIM-5.0	EC002486
ETIM-6.0	EC002486
ETIM-7.0	EC002486
ETIM-8.0	EC002486
EAN	4048879078573
Förpackningsenhet	1
Kundens tullnummer	85043180

**Electrical data | Supply**

Protective measure	SELV
Power frequency	50 ... 60 Hz

**Electrical data | Input**

Input voltage AC	110 V
Nominal input voltage AC	230 V
Input voltage 3 AC	400 V
Nominal current AC	3.5 A @ 230 V
Input current at input voltage 3 AC	2 A
Inrush current at input voltage 2	50 A
Inrush current at input voltage 3	29 A
Kortslutningsström	219 A

**Electrical data | Output**

Output voltage adjustable	No
Output voltage AC	24 V
Power rating AC max.	800 VA

**Device protection | Electrical**

Insulation test voltage input - output	4 kV
--	------

**Mechanical data | Mounting data**

Height	136,3 mm
Width	150 mm
Depth	149 mm
Suitable for mounting type	Keyhole mounting
Mounting dimension a	107,5 mm
Mounting dimension b	122 mm
Mounting dimension c	7 mm
Diameter bore	7 mm
Length bore	11 mm

**Environmental characteristics | Climatic**

Operating temperature min.	-20 °C
----------------------------	--------

Operating temperature max.	40 °C
Ambient temperature (storage, transport)	-40 °C ... 80 °C

#### Conformity

Product standard	EN IEC 61558-2-4, EN IEC 61558-2-6
------------------	------------------------------------

#### Connection type 3

Connection type 1	Ingång
Connection type 2	Output
Family construction form	terminal
Antal poler	3
Gender	female
Anslutning	Screw terminals SK
PIN 2	230 V
PIN 3	400 V
Family construction form	terminal
Antal poler	2
Gender	female
Anslutning	Screw terminals SK
PIN 2	24 V DC
Family construction form	terminal
Antal poler	1
Gender	female
Color contact carrier	metallic
Anslutning	Screw terminals SK
PIN 1	PE