

## MST 1-PHASE SAFETY TRANSFORMER

P: 630VA IN: 230/400VAC OUT: 24VAC

Art.Nr.: 86329

Vikt: 8,220 kg

Tillverknings land: CZ

Modellbeteckning: MST 0630-230-400/24

Enfas skyddstransformator

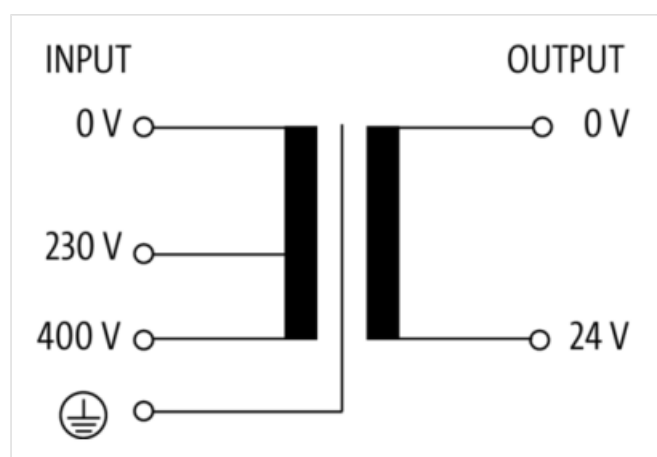
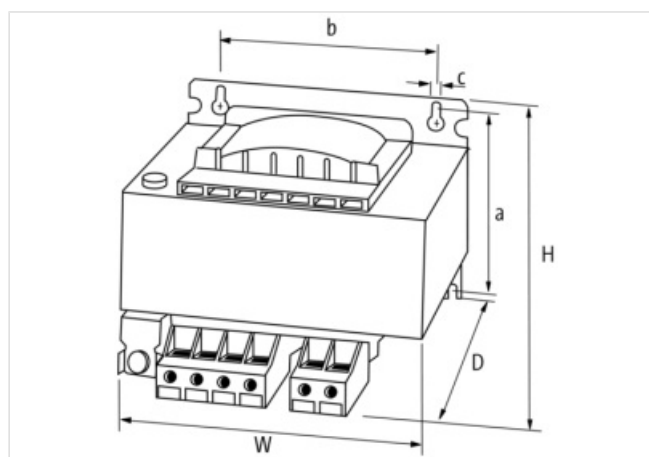
630 VA

Isolationsklass T 40/B

Andra spänningar på begäran.

### Länk till produkt

#### Illustration



Produkten kan skilja sig från bilden



#### Kommersiella uppgifter

URL Webshop

<https://shop.murrelektronik.com/86329>

GTIN

4048879078580

Customs tariff number

85043180

ECLASS-6.0	27031302
ECLASS-6.1	27031302
ECLASS-7.0	27031302
ECLASS-7.1	27031302
ECLASS-8.0	27031302
ECLASS-8.1	27031302
ECLASS-9.0	27031302
ECLASS-9.1	27031302
ECLASS-10.0.1	27031302
ECLASS-10.1	27031302
ECLASS-11.0	27031302
ECLASS-11.1	27031302
ECLASS-12.0	27031302
ECLASS-13.0	27031302
ECLASS-14.0	27031302
ETIM-5.0	EC002486
ETIM-6.0	EC002486
ETIM-7.0	EC002486
ETIM-8.0	EC002486
EAN	4048879078580
Förpackningsenhet	1
Kundens tullnummer	85043180

**Electrical data | Supply**

Protective measure	SELV
Power frequency	50 ... 60 Hz

**Electrical data | Input**

Nominal input voltage AC	230 V ... 400 V
Nominal current AC	2.95 A @ 230 V, 1.7 A @ 400 V
Inrush current at input voltage 1	37 A
Inrush current at input voltage 2	21 A
Short-circuit current at input voltage 1	77 A
Short-circuit current at input voltage 2	44 A

**Electrical data | Output**

Output voltage adjustable	No
Output voltage AC	24 V
Power rating AC max.	630 VA

**Device protection | Electrical**

Insulation test voltage input - output	4 kV
--	------

**Mechanical data | Mounting data**

Height	112,5 mm
Width	150 mm
Depth	144,6 mm
Suitable for mounting type	Keyhole mounting
Mounting dimension a	90,6 mm
Mounting dimension b	122 mm
Mounting dimension c	7 mm
Diameter bore	7 mm
Length bore	11 mm

**Environmental characteristics | Climatic**

Operating temperature min.	-20 °C
Operating temperature max.	40 °C

Ambient temperature (storage, transport) -40 °C ... 80 °C

**Conformity**

Product standard EN IEC 61558-2-4, EN IEC 61558-2-6

**Connection type 3**

Connection type 1	Ingång
Connection type 2	Output
Family construction form	terminal
Antal poler	3
Gender	female
Anslutning	Screw terminals SK
PIN 2	230 V
PIN 3	400 V
Family construction form	terminal
Antal poler	2
Gender	female
Anslutning	Screw terminals SK
PIN 2	24 V DC
Family construction form	terminal
Antal poler	1
Gender	female
Color contact carrier	metallic
Anslutning	Screw terminals SK
PIN 1	PE