

MST 1-PHASE SAFETY TRANSFORMER

P: 500VA IN: 230/400VAC OUT: 24VAC

Art.Nr.: 86328

Vikt: 6,450 kg

Tillverknings land: CZ

Modellbeteckning: MST 0500-230-400/24

Enfas skyddstransformator

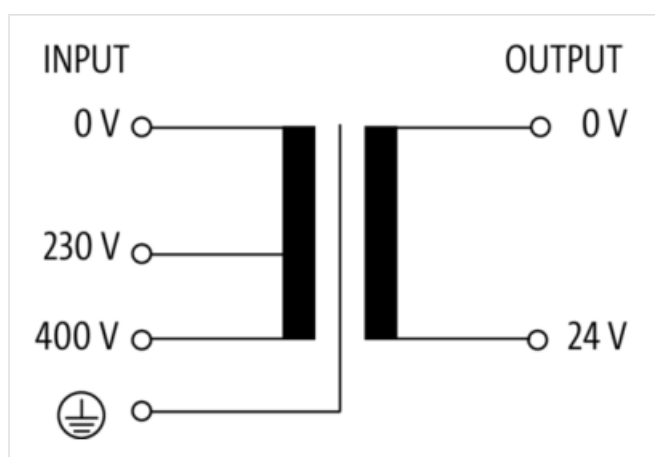
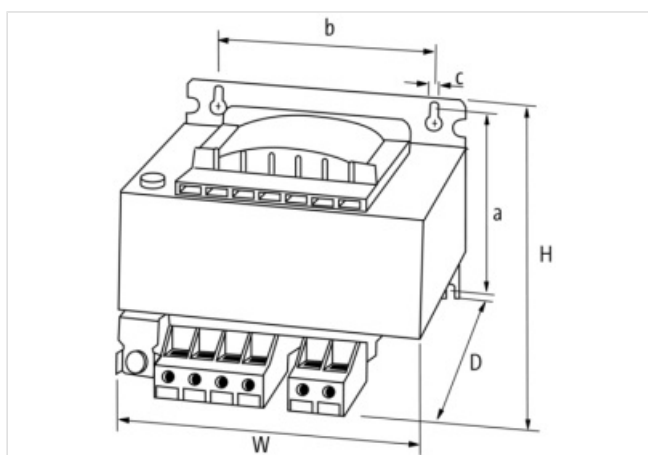
500 VA

Isolationsklass T 40/B

Andra spänningar på begäran.

Länk till produkt

Illustration



Produkten kan skilja sig från bilden



Kommersiella uppgifter

URL Webshop

<https://shop.murrelektronik.com/86328>

GTIN

4048879078597

ECLASS-6.0

27031302

ECLASS-6.1	27031302
ECLASS-7.0	27031302
ECLASS-7.1	27031302
ECLASS-8.0	27031302
ECLASS-8.1	27031302
ECLASS-9.0	27031302
ECLASS-9.1	27031302
ECLASS-10.0.1	27031302
ECLASS-10.1	27031302
ECLASS-11.0	27031302
ECLASS-11.1	27031302
ECLASS-12.0	27031302
ECLASS-13.0	27031302
ECLASS-14.0	27031302
ETIM-5.0	EC002486
ETIM-6.0	EC002486
ETIM-7.0	EC002486
ETIM-8.0	EC002486
EAN	4048879078597
Förpackningsenhet	1
Kundens tullnummer	85043180

Electrical data | Supply

Security level	SELV
Power frequency	50 ... 60 Hz

Electrical data | Input

Nominal input voltage AC	230 V ... 400 V
Nominal current AC	2.4 A @ 230 V, 1.4 A @ 400 V
Inrush current at input voltage 1	81 A
Inrush current at input voltage 2	17,3 A
Short-circuit current at input voltage 1	40,4 A
Short-circuit current at input voltage 2	21,2 A

Electrical data | Output

Output voltage adjustable	No
Output voltage AC	24 V
Power rating AC max.	500 VA

Mechanical data | Mounting data

Height	108 mm
Width	135 mm
Depth	133,6 mm
Suitable for mounting type	Keyhole mounting
Mounting dimension a	87 mm
Mounting dimension b	104 mm
Mounting dimension c	5,8 mm
Diameter bore	5,8 mm
Length bore	10 mm

Environmental characteristics | Climatic

Operating temperature min.	-20 °C
Operating temperature max.	40 °C
Ambient temperature (storage, transport)	-40 °C ... 80 °C

Conformity

Product standard	EN IEC 61558-2-4, EN IEC 61558-2-6
------------------	------------------------------------