

**MST 1-PHASE SAFETY TRANSFORMER**

P: 400VA IN: 230/400VAC OUT: 24VAC

Art.Nr.: 86327

Vikt: 5,150 kg

Tillverknings land: CZ

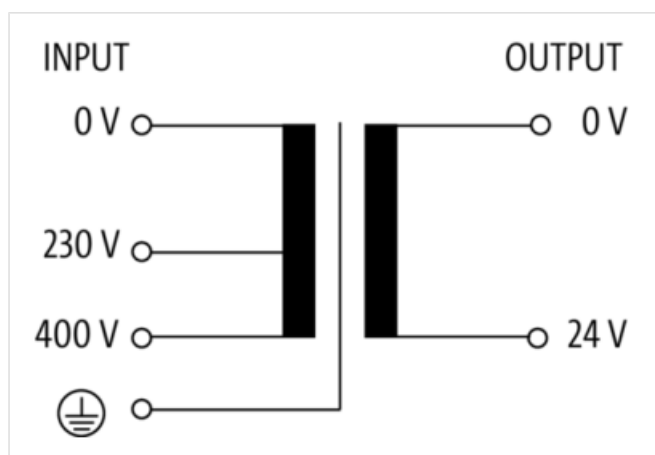
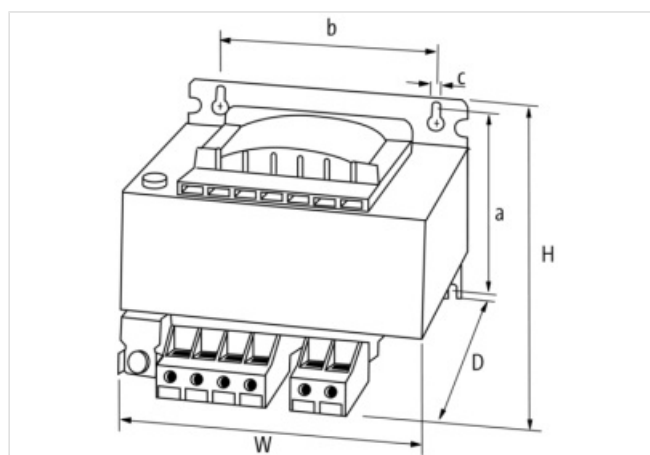
Modellbeteckning: MST 0400-230-400/24

Enfas skyddstransformator

400 VA

Isolationsklass T 40/B

Andra spänningar på begäran.

**Länk till produkt****Illustration**

Produkten kan skilja sig från bilden

**Kommersiella uppgifter**

URL Webshop

<https://shop.murrelektronik.com/86327>

GTIN

4048879078603

ECLASS-6.0

27031302

ECLASS-6.1	27031302
ECLASS-7.0	27031302
ECLASS-7.1	27031302
ECLASS-8.0	27031302
ECLASS-8.1	27031302
ECLASS-9.0	27031302
ECLASS-9.1	27031302
ECLASS-10.0.1	27031302
ECLASS-10.1	27031302
ECLASS-11.0	27031302
ECLASS-11.1	27031302
ECLASS-12.0	27031302
ECLASS-13.0	27031302
ECLASS-14.0	27031302
ETIM-5.0	EC002486
ETIM-6.0	EC002486
ETIM-7.0	EC002486
ETIM-8.0	EC002486
EAN	4048879078603
Förpackningsenhet	1
Kundens tullnummer	85043180

**Electrical data | Supply**

Security level	SELV
Power frequency	50 ... 60 Hz

**Electrical data | Input**

Nominal input voltage AC	230 V ... 400 V
Nominal current AC	1.95 A @ 230 V, 1.1 A @ 400 V
Inrush current at input voltage 1	52,3 A
Inrush current at input voltage 2	30,2 A
Short-circuit current at input voltage 1	43 A
Short-circuit current at input voltage 2	24,9 A

**Electrical data | Output**

Output voltage adjustable	No
Output voltage AC	24 V
Power rating AC max.	400 VA

**Device protection | Electrical**

Insulation test voltage input - output	4 kV
--	------

**Mechanical data | Mounting data**

Height	104 mm
Width	120 mm
Depth	123 mm
Suitable for mounting type	Keyhole mounting
Mounting dimension a	86,5 mm
Mounting dimension b	90 mm
Mounting dimension c	5,8 mm
Diameter bore	5,8 mm
Length bore	10 mm

**Environmental characteristics | Climatic**

Operating temperature min.	-20 °C
Operating temperature max.	40 °C
Ambient temperature (storage, transport)	-40 °C ... 80 °C

**Conformity**

---

Product standard

EN IEC 61558-2-4, EN IEC 61558-2-6