

MST 1-PHASE CONTROL AND ISOLATION TRANSFORMER

P: 400VA IN: 230/400VAC OUT: 230VAC

Art.Nr.: 86307

Vikt: 5,100 kg

Tillverknings land: CZ

Modellbeteckning: MST 0400-230-400/230

Enfas styrl- och isolertransformator

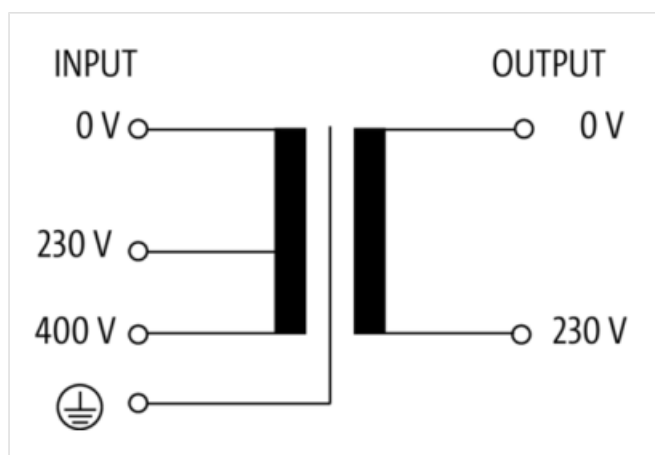
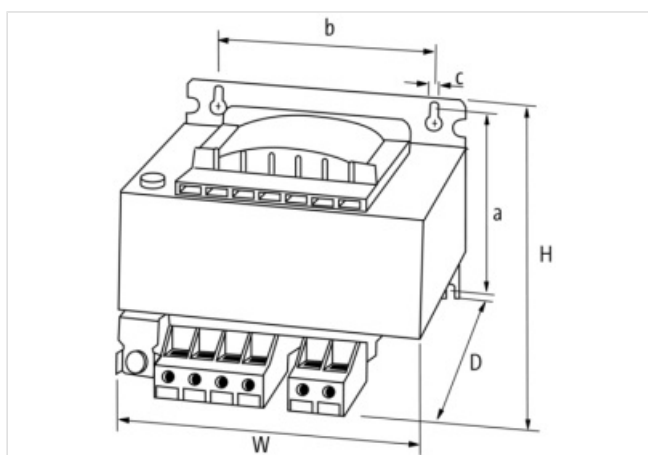
400 VA

Isolationsklass T 40/B

Andra spänningar på begäran.

Länk till produkt

Illustration



Produkten kan skilja sig från bilden



Kommersiella uppgifter

URL Webshop

<https://shop.murrelektronik.com/86307>

GTIN

4048879078665

ECLASS-6.0

27031302

ECLASS-6.1	27031302
ECLASS-7.0	27031302
ECLASS-7.1	27031302
ECLASS-8.0	27031302
ECLASS-8.1	27031302
ECLASS-9.0	27031302
ECLASS-9.1	27031302
ECLASS-10.0.1	27031302
ECLASS-10.1	27031302
ECLASS-11.0	27031302
ECLASS-11.1	27031302
ECLASS-12.0	27031302
ECLASS-13.0	27031302
ECLASS-14.0	27031302
ETIM-5.0	EC002486
ETIM-6.0	EC002486
ETIM-7.0	EC002486
ETIM-8.0	EC002486
EAN	4048879078665
Förpackningsenhet	1
Kundens tullnummer	85043180

Electrical data | Supply

Power frequency	50 ... 60 Hz
-----------------	--------------

Electrical data | Input

Nominal input voltage AC	230 V ... 400 V
Nominal current AC	1.95 A @ 230 V, 1.1 A @ 400 V
Inrush current at input voltage 1	52,3 A
Inrush current at input voltage 2	30,2 A
Short-circuit current at input voltage 1	43 A
Short-circuit current at input voltage 2	24,9 A

Electrical data | Output

Output voltage adjustable	No
Output voltage AC	230 V
Power rating AC max.	400 VA

Device protection | Electrical

Insulation test voltage input - output	4 kV
--	------

Mechanical data | Mounting data

Height	104 mm
Width	120 mm
Depth	123 mm
Suitable for mounting type	Keyhole mounting
Mounting dimension a	86,5 mm
Mounting dimension b	90 mm
Mounting dimension c	5,8 mm
Diameter bore	5,8 mm
Length bore	10 mm

Environmental characteristics | Climatic

Operating temperature min.	-20 °C
Operating temperature max.	40 °C
Ambient temperature (storage, transport)	-40 °C ... 80 °C

Conformity

Product standard

EN IEC 61558-1, EN IEC 61558-2-4