

## MST 1-PHASE CONTROL AND ISOLATION TRANSFORMER

P: 2500VA IN: 208...550VAC OUT: 2x115VAC

Art.Nr.: 86154

Vikt: 26,300 kg

Tillverknings land: CZ

Modellbeteckning: MST 2500-208...550/2x115

Enfas styrl- och isolertransformator

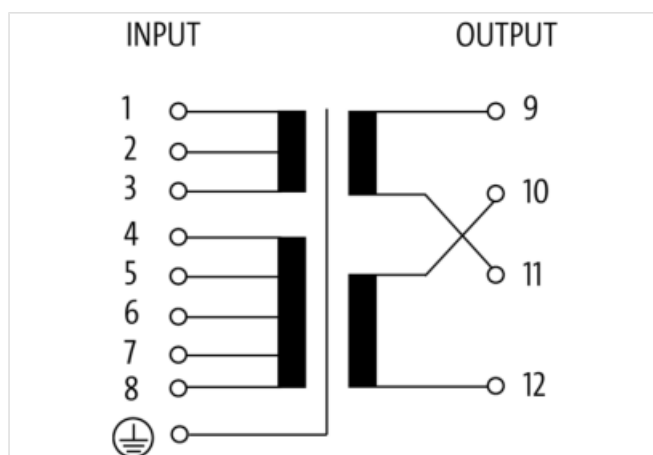
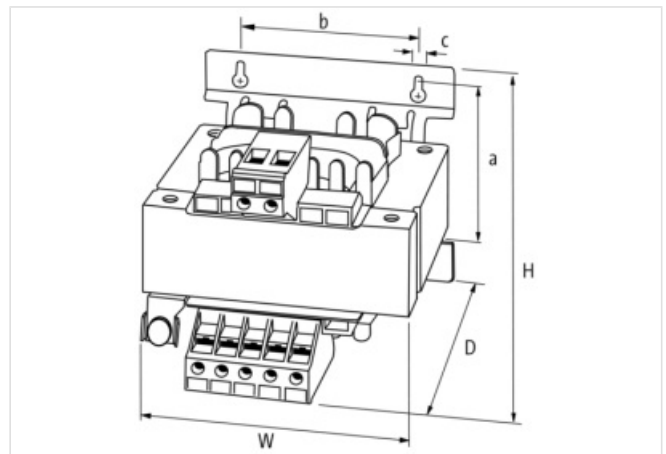
2500 VA

Isolationsklass T 40/B

Andra spänningar på begäran.

### Länk till produkt

#### Illustration



Produkten kan skilja sig från bilden



#### Kommersiella uppgifter

URL Webshop <https://shop.murrelektronik.com/86154>

GTIN 4048879078696

Customs tariff number 85043200

ECLASS-6.0	27031302
ECLASS-6.1	27031302
ECLASS-7.0	27031302
ECLASS-7.1	27031302
ECLASS-8.0	27031302
ECLASS-8.1	27031302
ECLASS-9.0	27031302
ECLASS-9.1	27031302
ECLASS-10.0.1	27031302
ECLASS-10.1	27031302
ECLASS-11.0	27031302
ECLASS-11.1	27031302
ECLASS-12.0	27031302
ECLASS-13.0	27031302
ECLASS-14.0	27031302
ETIM-5.0	EC002486
ETIM-6.0	EC002486
ETIM-7.0	EC002486
ETIM-8.0	EC002486
EAN	4048879078696
Förpackningsenhet	1
Kundens tullnummer	85043200

**Electrical data | Supply**

Power frequency	50 ... 60 Hz
-----------------	--------------

**Electrical data | Input**

Input voltage AC	420, 208, 525, 550, 230, 380, 400, 440, 460, 480, 500
Nominal input voltage AC	208 V ... 550 V
Nominal current AC	12.5 A @ 208 V, 4.72 A @ 550 V
Inrush current at input voltage 1	363 A
Inrush current at input voltage 2	137 A
Short-circuit current at input voltage 1	670 A
Short-circuit current at input voltage 2	254 A

**Electrical data | Output**

Output voltage adjustable	Yes
Utgångsspänning	1 × 230 / 1 × 115 / 2 × 115 V AC
Output voltage AC 1	230 V
Output voltage AC 2	115 V
Power rating AC max.	2.500 VA

**Device protection | Electrical**

Insulation test voltage input - output	4 kV
--	------

**Mechanical data | Mounting data**

Height	200 mm
Width	195 mm
Depth	217 mm
Suitable for mounting type	Keyhole mounting
Mounting dimension a	130 mm
Mounting dimension b	150 mm
Mounting dimension c	10 mm
Diameter bore	10 mm
Length bore	18 mm

**Environmental characteristics | Climatic**

Operating temperature min.	-20 °C
----------------------------	--------

Operating temperature max.	40 °C
Ambient temperature (storage, transport)	-40 °C ... 80 °C

#### Conformity

Product standard	EN IEC 61558-1, EN IEC 61558-2-4
------------------	----------------------------------

#### Connection type 5

Connection type 1	Ingång
Connection type 2	Ingång
Connection type 3	Output
Connection type 4	Output
Family construction form	terminal
Antal poler	8
Gender	female
Anslutning	Screw terminals SK
PIN 1	1
PIN 2	2
PIN 3	3
PIN 4	4
PIN 5	5
PIN 6	6
PIN 7	7
PIN 8	8
Family construction form	terminal
Antal poler	8
Gender	female
Anslutning	Plug-in terminals RK
PIN 1	1
PIN 2	2
PIN 3	3
PIN 4	4
PIN 5	5
PIN 6	6
PIN 7	7
PIN 8	8
Family construction form	terminal
Antal poler	4
Gender	female
Anslutning	Screw terminals SK
PIN 1	9
PIN 2	10
PIN 3	11
PIN 4	12
Family construction form	terminal
Antal poler	4
Gender	female
Anslutning	Plug-in terminals RK
PIN 1	9
PIN 2	10
PIN 3	11
PIN 4	12
Family construction form	terminal
Antal poler	1
Gender	female
Color contact carrier	metallic

Anslutning

Screw terminals SK

PIN 1

PE

---