

MST 1-PHASE CONTROL AND ISOLATION TRANSFORMER

P: 250VA IN: 208...550VAC OUT: 2x115VAC

Art.Nr.: 86145

Vikt: 4,000 kg

Tillverknings land: CZ

Modellbeteckning: MST 0250-208...550/2x115

Enfas styrl- och isolertransformator

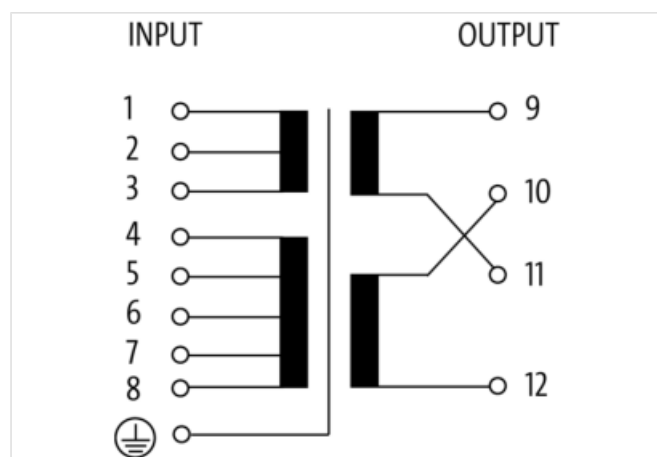
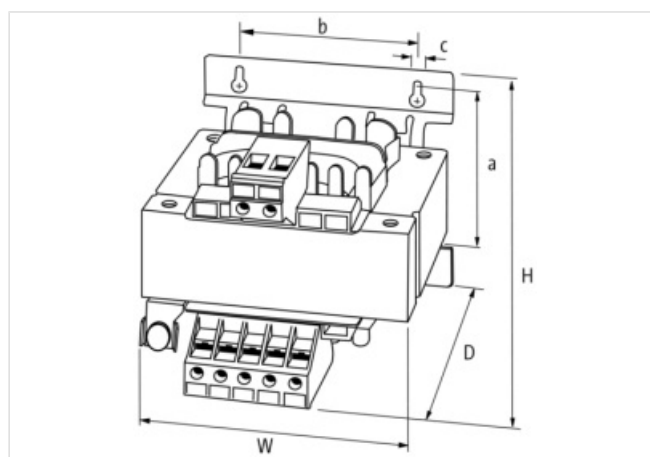
250 VA

Isolationsklass T 40/B

Andra spänningar på begäran.

Länk till produkt

Illustration



Produkten kan skilja sig från bilden



Kommersiella uppgifter

URL Webshop

<https://shop.murrelektronik.com/86145>

GTIN

4048879444729

ECLASS-6.0

27031302

ECLASS-6.1	27031302
ECLASS-7.0	27031302
ECLASS-7.1	27031302
ECLASS-8.0	27031302
ECLASS-8.1	27031302
ECLASS-9.0	27031302
ECLASS-9.1	27031302
ECLASS-10.0.1	27031302
ECLASS-10.1	27031302
ECLASS-11.0	27031302
ECLASS-11.1	27031302
ECLASS-12.0	27031302
ECLASS-13.0	27031302
ECLASS-14.0	27031302
ETIM-5.0	EC002486
ETIM-6.0	EC002486
ETIM-7.0	EC002486
ETIM-8.0	EC002486
EAN	4048879444729
Förpackningsenhet	1
Kundens tullnummer	85043180

Electrical data | Supply

Power frequency	50 ... 60 Hz
-----------------	--------------

Electrical data | Input

Input voltage AC	420, 208, 525, 550, 230, 380, 400, 440, 460, 480, 500
Nominal input voltage AC	208 V ... 550 V
Nominal current AC	1.36 A @ 208 V, 0.51 A @ 550 V
Inrush current at input voltage 1	26 A
Inrush current at input voltage 2	9,6 A
Short-circuit current at input voltage 1	25 A
Short-circuit current at input voltage 2	9,2 A

Electrical data | Output

Output voltage adjustable	Yes
Utgångsspänning	1 × 230 / 1 × 115 / 2 × 115 V AC
Output voltage AC 1	230 V
Output voltage AC 2	115 V
Power rating AC max.	250 VA

Device protection | Electrical

Insulation test voltage input - output	4 kV
--	------

Mechanical data | Mounting data

Height	104 mm
Width	120 mm
Depth	112 mm
Suitable for mounting type	Keyhole mounting
Mounting dimension a	74,4 mm
Mounting dimension b	90 mm
Diameter bore	5,8 mm
Length bore	10 mm

Environmental characteristics | Climatic

Operating temperature min.	-20 °C
Operating temperature max.	40 °C

Ambient temperature (storage, transport) -20 °C ... 80 °C

Conformity

Product standard EN IEC 61558-1, EN IEC 61558-2-4