

## MTS 1-PHASE CONTROL AND ISOLATION TRANSFORMER

P: 160VA IN: 208...550VAC OUT: 2x115VAC

Art.Nr.: 86144

Vikt: 3,100 kg

Tillverknings land: CZ

Modellbeteckning: MTS 0160-208...550/2x115

Enfas styrl- och isolertransformator

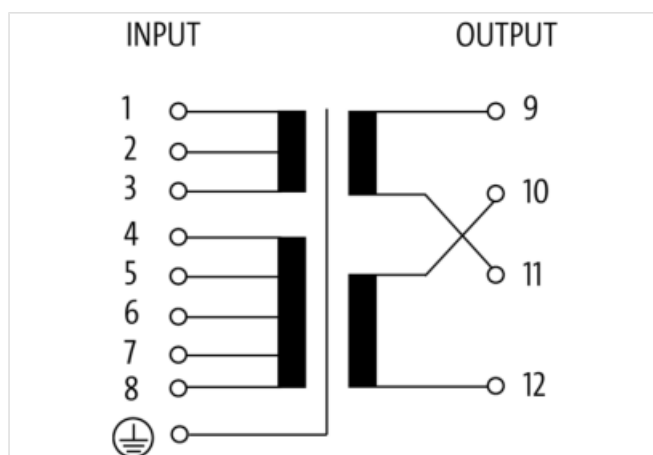
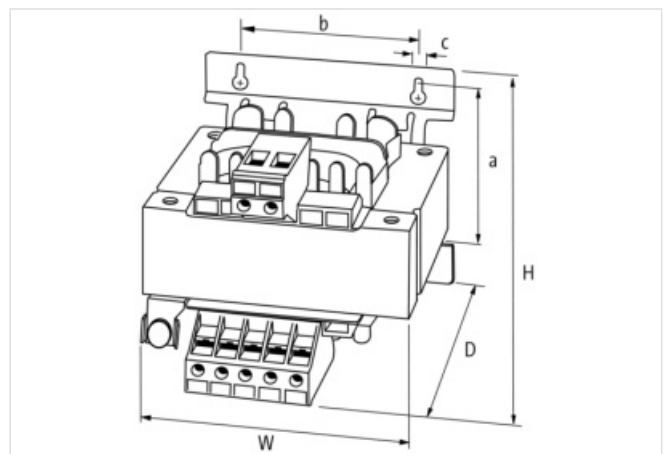
160 VA

Isolationsklass T 40/B

Andra spänningar på begäran.

### Länk till produkt

#### Illustration



Produkten kan skilja sig från bilden



#### Kommersiella uppgifter

URL Webshop

<https://shop.murrelektronik.com/86144>

GTIN

4048879078757

Customs tariff number

85043180

|                    |               |
|--------------------|---------------|
| ECLASS-6.0         | 27031302      |
| ECLASS-6.1         | 27031302      |
| ECLASS-7.0         | 27031302      |
| ECLASS-7.1         | 27031302      |
| ECLASS-8.0         | 27031302      |
| ECLASS-8.1         | 27031302      |
| ECLASS-9.0         | 27031302      |
| ECLASS-9.1         | 27031302      |
| ECLASS-10.0.1      | 27031302      |
| ECLASS-10.1        | 27031302      |
| ECLASS-11.0        | 27031302      |
| ECLASS-11.1        | 27031302      |
| ECLASS-12.0        | 27031302      |
| ECLASS-13.0        | 27031302      |
| ECLASS-14.0        | 27031302      |
| ETIM-5.0           | EC002486      |
| ETIM-6.0           | EC002486      |
| ETIM-7.0           | EC002486      |
| ETIM-8.0           | EC002486      |
| EAN                | 4048879078757 |
| Förpackningsenhet  | 1             |
| Kundens tullnummer | 85043180      |

**Electrical data | Supply**

|                 |              |
|-----------------|--------------|
| Power frequency | 50 ... 60 Hz |
|-----------------|--------------|

**Electrical data | Input**

|  |   |
|--|---|
| Input voltage AC                         | 420, 208, 525, 550, 230, 380, 400, 440, 460, 480, 500 |
| Nominal input voltage AC                 | 230 V ... 400 V                                       |
| Nominal current AC                       | 0.78 A @ 230 V, 0.45 A @ 400 V                        |
| Inrush current at input voltage 1        | 6 A   |
| Inrush current at input voltage 2        | 3,46 A  |
| Short-circuit current at input voltage 1 | 9,5 A   |
| Short-circuit current at input voltage 2 | 5,5 A   |

**Electrical data | Output**

|                           |                                  |
|---------------------------|----------------------------------|
| Output voltage adjustable | Yes                              |
| Utgångsspänning           | 1 × 230 / 1 × 115 / 2 × 115 V AC |
| Output voltage AC 1       | 230 V                            |
| Output voltage AC 2       | 115 V                            |
| Power rating AC max.      | 160 VA                           |

**Device protection | Electrical**

|  |      |
|--|------|
| Insulation test voltage input - output | 4 kV |
|--|------|

**Mechanical data | Mounting data**

|                            |                             |
|----------------------------|-----------------------------|
| Height                     | 101 mm                      |
| Width                      | 96 mm                       |
| Depth                      | 106 mm                      |
| Monteringsmetod            | geschnappt                  |
| Suitable for mounting type | Långhålsmontage, (EN 60715) |
| Mounting dimension a       | 86,5 mm                     |
| Mounting dimension b       | 84 mm                       |
| Mounting dimension c       | 4,8 mm                      |
| Diameter bore              | 4,8 mm                      |
| Length bore                | 8,4 mm                      |

**Environmental characteristics | Climatic**

|  |                  |
|--|------------------|
| Operating temperature min.               | -20 °C           |
| Operating temperature max.               | 40 °C            |
| Ambient temperature (storage, transport) | -20 °C ... 80 °C |

### Conformity

|                  |                                  |
|------------------|----------------------------------|
| Product standard | EN IEC 61558-1, EN IEC 61558-2-4 |
|------------------|----------------------------------|

### Connection type 3

|                          |                    |
|--------------------------|--------------------|
| Connection type 1        | Ingång             |
| Connection type 2        | Output             |
| Family construction form | terminal           |
| Antal poler              | 8                  |
| Gender                   | female             |
| Anslutning               | Screw terminals SK |
| PIN 1                    | 1                  |
| PIN 2                    | 2                  |
| PIN 3                    | 3                  |
| PIN 4                    | 4                  |
| PIN 5                    | 5                  |
| PIN 6                    | 6                  |
| PIN 7                    | 7                  |
| PIN 8                    | 8                  |
| Family construction form | terminal           |
| Antal poler              | 4                  |
| Gender                   | female             |
| Anslutning               | Screw terminals SK |
| PIN 1                    | 9                  |
| PIN 2                    | 10                 |
| PIN 3                    | 11                 |
| PIN 4                    | 12                 |
| Family construction form | terminal           |
| Antal poler              | 1                  |
| Gender                   | female             |
| Color contact carrier    | metallic           |
| Anslutning               | Screw terminals SK |
| PIN 1                    | PE                 |