

**MET 1-PHASE CONTROL AND ISOLATION TRANSFORMER**

P: 4000VA IN: 230VAC+/- 5% OUT: 230VAC

Art.Nr.: 86110

Vikt: 32,000 kg

Tillverknings land: CZ

Modellbeteckning: MET 4000-230+-5%/230

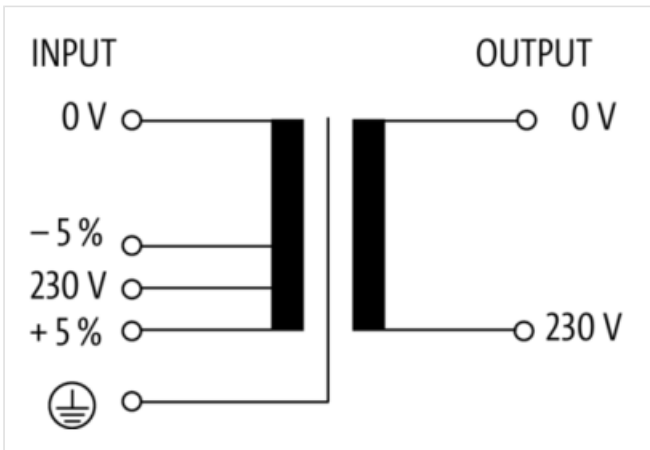
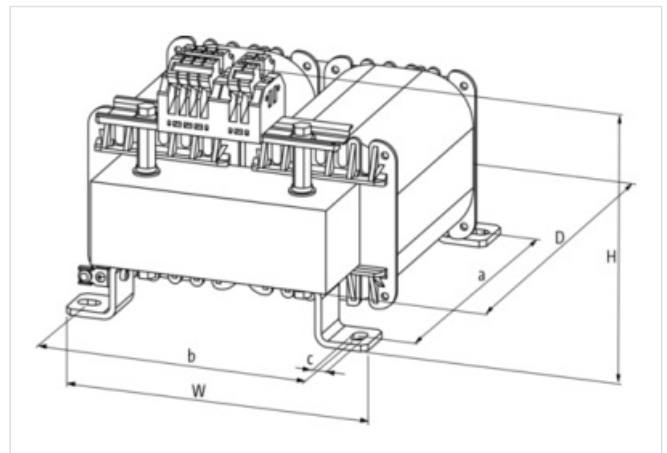
Enfas styrl- och isolertransformator

4000 VA

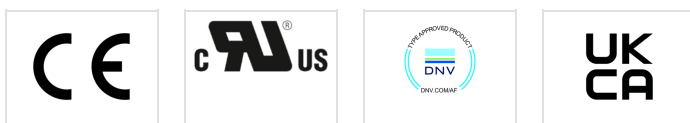
Isolationsklass T 40/B

**Länk till produkt**

**Illustration**



Produkten kan skilja sig från bilden



**Kommersiella uppgifter**

URL Webshop	<a href="https://shop.murrelektronik.com/86110">https://shop.murrelektronik.com/86110</a>
GTIN	4048879078795
ECLASS-6.0	27031302
ECLASS-6.1	27031302

ECLASS-7.0	27031302
ECLASS-7.1	27031302
ECLASS-8.0	27031302
ECLASS-8.1	27031302
ECLASS-9.0	27031302
ECLASS-9.1	27031302
ECLASS-10.0.1	27031302
ECLASS-10.1	27031302
ECLASS-11.0	27031302
ECLASS-11.1	27031302
ECLASS-12.0	27031302
ECLASS-13.0	27031302
ECLASS-14.0	27031302
ETIM-5.0	EC002486
ETIM-6.0	EC002486
ETIM-7.0	EC002486
ETIM-8.0	EC002486
EAN	4048879078795
Förpackningsenhet	1
Kundens tullnummer	85043200

**Electrical data | Supply**

Power frequency	50 ... 60 Hz
-----------------	--------------

**Electrical data | Input**

Input voltage AC	230 V
Nominal input voltage AC	219 V ... 230 V
Input voltage 3 AC	242 V
Current input AC	18 A
Nominal current AC	219 V @ 230 V
Inrush current at input voltage 2	337 A
Short-circuit current at input voltage 2	807,5 A

**Electrical data | Output**

Output voltage adjustable	No
Output voltage AC	230 V
Power rating AC max.	4.000 VA

**Device protection | Electrical**

Insulation test voltage input - output	4 kV
--	------

**Mechanical data | Mounting data**

Height	206 mm
Width	198 mm
Depth	250 mm
Suitable for mounting type	Långhålsmontage
Mounting dimension a	200 mm
Mounting dimension b	174 mm
Mounting dimension c	9 mm
Diameter bore	9 mm
Length bore	14 mm

**Environmental characteristics | Climatic**

Operating temperature min.	-20 °C
Operating temperature max.	40 °C
Ambient temperature (storage, transport)	-40 °C ... 80 °C

**Conformity**

Product standard

EN IEC 61558-1, EN IEC 61558-2-4