

MET 1-PHASE CONTROL AND ISOLATION TRANSFORMER

P: 1000VA IN: 400VAC+/- 5% OUT: 230VAC

Art.Nr.: 86051

Vikt: 15,110 kg

Tillverknings land: CZ

Modellbeteckning: MET 1000-400+-5%/230

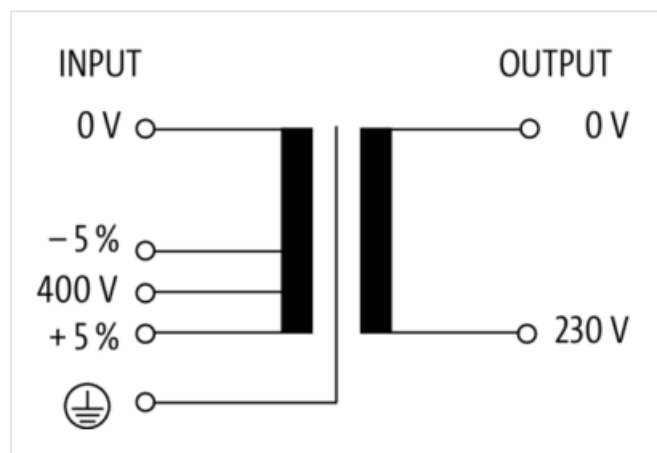
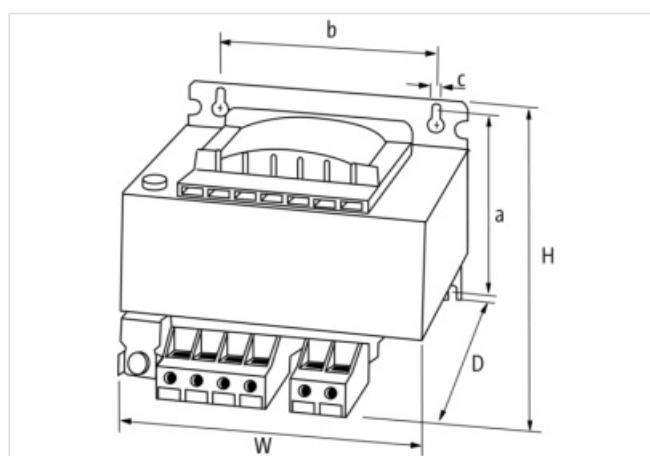
Enfas styrl- och isolertransformator

1000 VA

Isolationsklass T 60/B

Länk till produkt

Illustration



Produkten kan skilja sig från bilden



Kommersiella uppgifter

URL Webshop	https://shop.murrelektronik.com/86051
GTIN	4048879078894
ECLASS-6.0	27031302
ECLASS-6.1	27031302

ECLASS-7.0	27031302
ECLASS-7.1	27031302
ECLASS-8.0	27031302
ECLASS-8.1	27031302
ECLASS-9.0	27031302
ECLASS-9.1	27031302
ECLASS-10.0.1	27031302
ECLASS-10.1	27031302
ECLASS-11.0	27031302
ECLASS-11.1	27031302
ECLASS-12.0	27031302
ECLASS-13.0	27031302
ECLASS-14.0	27031302
ETIM-5.0	EC002486
ETIM-6.0	EC002486
ETIM-7.0	EC002486
ETIM-8.0	EC002486
EAN	4048879078894
Förpackningsenhet	1
Kundens tullnummer	85043180

Electrical data | Supply

Power frequency	50 ... 60 Hz
-----------------	--------------

Electrical data | Input

Input voltage AC	400 V
Input voltage AC min.	380 V
Input voltage AC max.	420 V
Current input AC	2,68 A
Max. inrush current	37,36 A
Kortslutningsström	122,5 A

Electrical data | Output

Output voltage adjustable	No
Output voltage AC	230 V
Power rating AC max.	1.000 VA

Device protection | Electrical

Insulation test voltage input - output	4 kV
--	------

Mechanical data | Mounting data

Height	138 mm
Width	174 mm
Depth	160 mm
Suitable for mounting type	Keyhole mounting
Mounting dimension a	111,5 mm
Mounting dimension b	135 mm
Mounting dimension c	7 mm
Diameter bore	7 mm
Length bore	11 mm

Environmental characteristics | Climatic

Operating temperature min.	-20 °C
Operating temperature max.	60 °C
Ambient temperature (storage, transport)	-40 °C ... 80 °C

Conformity

Product standard	EN IEC 61558-1, EN IEC 61558-2-4
------------------	----------------------------------

