

**MET 1-PHASE CONTROL AND ISOLATION TRANSFORMER**

P: 500VA IN: 400VAC+/- 5% OUT: 230VAC

Art.Nr.: 86021

Vikt: 7,550 kg

Tillverknings land: CZ

Modellbeteckning: MET 0500-400+-5%/230

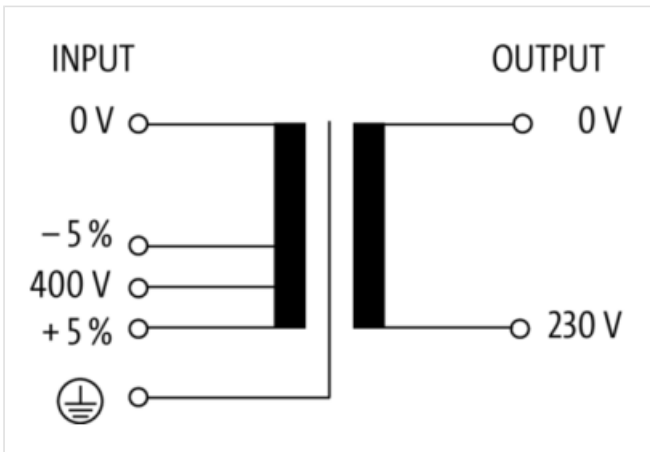
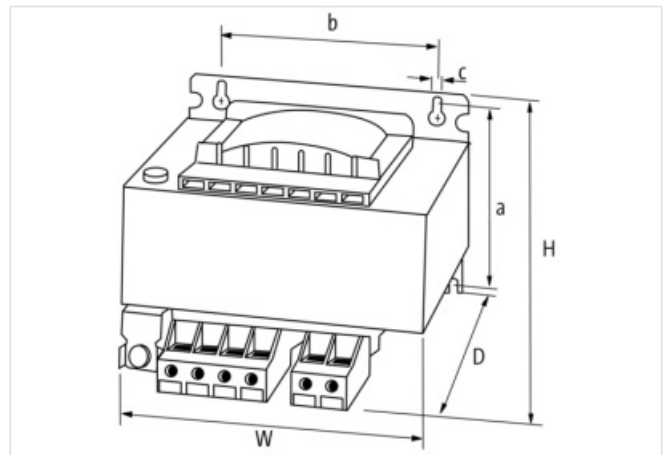
Enfas styrl- och isolertransformator

500 VA

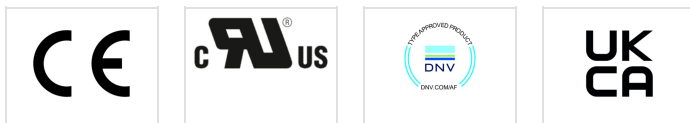
Isolationsklass T 60/B

**Länk till produkt**

**Illustration**



Produkten kan skilja sig från bilden



**Kommersiella uppgifter**

URL Webshop	<a href="https://shop.murrelektronik.com/86021">https://shop.murrelektronik.com/86021</a>
GTIN	4048879079044
ECLASS-6.0	27031302
ECLASS-6.1	27031302

ECLASS-7.0	27031302
ECLASS-7.1	27031302
ECLASS-8.0	27031302
ECLASS-8.1	27031302
ECLASS-9.0	27031302
ECLASS-9.1	27031302
ECLASS-10.0.1	27031302
ECLASS-10.1	27031302
ECLASS-11.0	27031302
ECLASS-11.1	27031302
ECLASS-12.0	27031302
ECLASS-13.0	27031302
ECLASS-14.0	27031302
ETIM-5.0	EC002486
ETIM-6.0	EC002486
ETIM-7.0	EC002486
ETIM-8.0	EC002486
EAN	4048879079044
Förpackningsenhet	1
Kundens tullnummer	85043180

**Electrical data | Supply**

Power frequency	50 ... 60 Hz
-----------------	--------------

**Electrical data | Input**

Input voltage AC	400 V
Input voltage AC min.	380 V
Input voltage AC max.	420 V
Current input AC	1,37 A
Max. inrush current	20,22 A
Kortslutningsström	43,35 A

**Electrical data | Output**

Output voltage adjustable	No
Output voltage AC	230 V
Power rating AC max.	500 VA

**Device protection | Electrical**

Insulation test voltage input - output	4 kV
--	------

**Mechanical data | Mounting data**

Height	112,6 mm
Width	150 mm
Depth	146 mm
Suitable for mounting type	Keyhole mounting
Mounting dimension a	91 mm
Mounting dimension b	122 mm
Mounting dimension c	7 mm
Diameter bore	7 mm
Length bore	11 mm

**Environmental characteristics | Climatic**

Operating temperature min.	-20 °C
Operating temperature max.	60 °C
Ambient temperature (storage, transport)	-40 °C ... 80 °C

**Conformity**

Product standard	EN IEC 61558-1, EN IEC 61558-2-4
------------------	----------------------------------

