

MPL POWER SUPPLY 3-PHASE, SMOOTHED

IN: 400VAC+/- 5% OUT: 24V/30ADC

Art.Nr.: 85933

Vikt: 13,320 kg

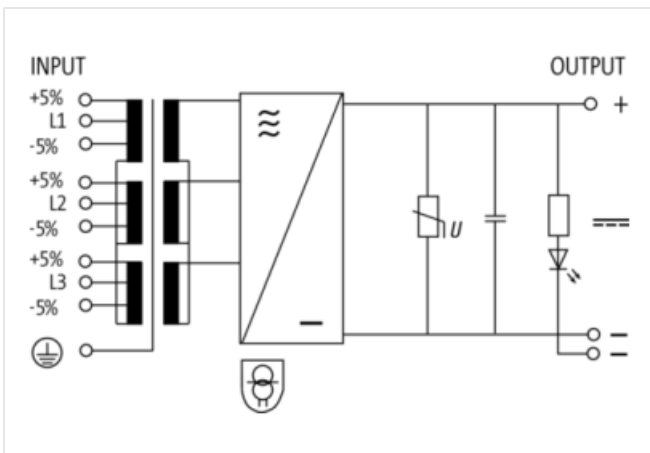
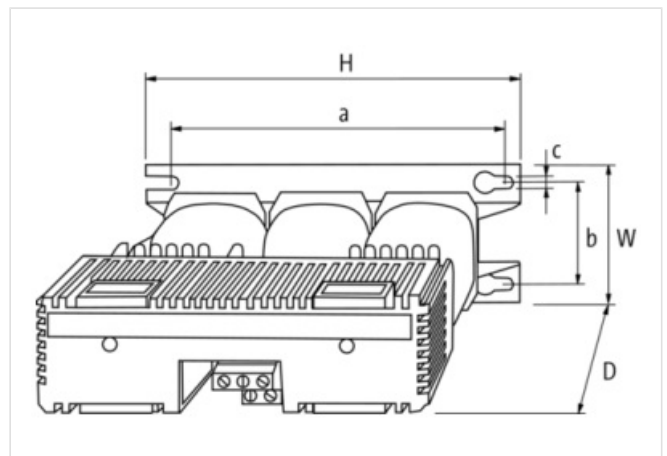
Tillverknings land: CZ

Modellbeteckning: MPL 30-400/24 GESIEBT

The MPL series comprises three-phase power supplies/rectified power supply units, incorporating safety isolating transformers, with protection class I and protection degree IP20 for general use in industrial applications.

Länk till produkt

Illustration



Produkten kan skilja sig från bilden



Kommersiella uppgifter

URL Webshop	https://shop.murrelektronik.com/85933
GTIN	4048879079198
ECLASS-6.0	27049002
ECLASS-6.1	27049002
ECLASS-7.0	27049002

ECLASS-7.1	27049002
ECLASS-8.0	27049002
ECLASS-8.1	27049002
ECLASS-9.0	27040701
ECLASS-9.1	27040701
ECLASS-10.0.1	27040701
ECLASS-10.1	27040701
ECLASS-11.0	27040701
ECLASS-11.1	27040701
ECLASS-12.0	27040701
ECLASS-13.0	27040701
ECLASS-14.0	27040701
ETIM-5.0	EC002540
ETIM-6.0	EC002540
ETIM-7.0	EC002540
ETIM-8.0	EC002540
EAN	4048879079198
Förpackningsenhet	1
Kundens tullnummer	85044095

Electrical data | Supply

Protective measure	SELV
Power frequency	50 ... 60 Hz

Electrical data | Input

Phase number input	3
Input voltage AC	400 V
Input voltage AC min.	380 V
Input voltage AC max.	420 V
Nominal input voltage AC	3
Input current AC (3-phase)	1,6 A
Nominal current AC	3
verkningsgrad	76 %
Characteristic back-up fuse	Inertia
Fuse protection 1 primary side external	2 A

Electrical data | Output

Output voltage adjustable	No
Output voltage DC	24 V
Output current max.	2 A
Output current max.	30 A
Utgångsfilter	VDR, LED
Characteristic secondary fuse	Inertia
Fuse protection secondary side external	30 A
Ripple max.	2 %

Mechanical data | Mounting data

Height	240 mm
Width	106 mm
Depth	250 mm
Suitable for mounting type	Keyhole mounting
Mounting dimension a	215 mm
Mounting dimension b	86 mm
Mounting dimension c	6,5 mm

Environmental characteristics | Electromagnetic compatibility

Interference emission	EN IEC 55011, IEC 61000-3-2
-----------------------	-----------------------------

Environmental characteristics | Climatic

Operating temperature min. -20 °C

Operating temperature max. 55 °C

Conformity

Product standard EN IEC 61558-2-6