

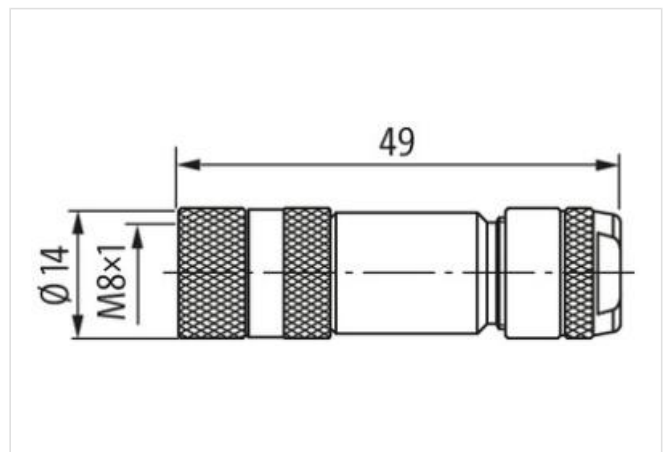
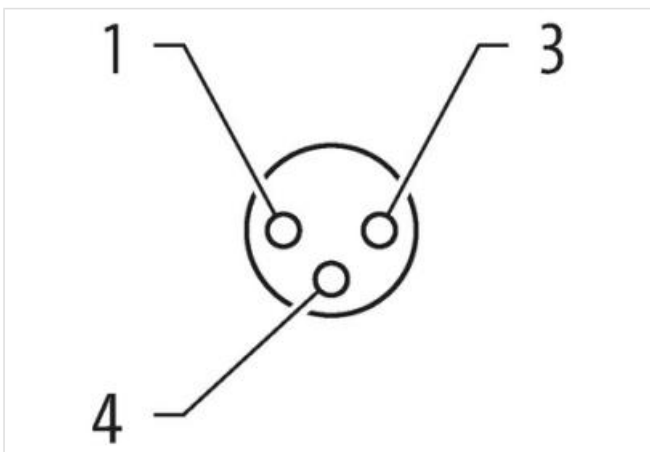
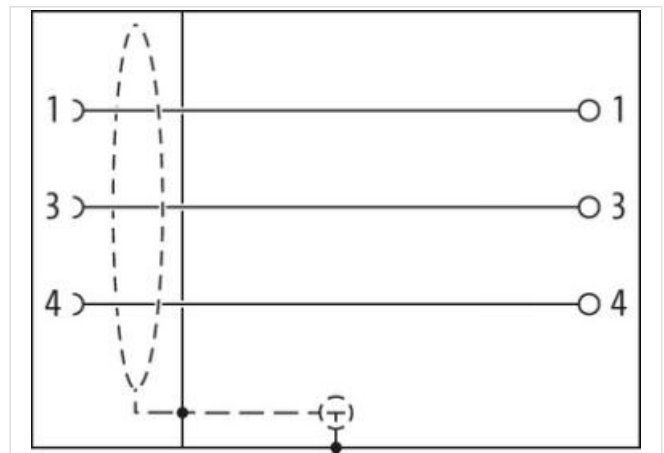
M8 female 0° A-cod. screw terminal3-pol., 0,14 - 0.5mm², 4 - 5,5mm, shielded

Female straight

M8, 3-pole

shielded

Screw terminals

Connection cross section: 0.14...0.5 mm²**Länk till produkt****Illustration**

Produkten kan skilja sig från bilden

Side 1

Coating contact	gold plated
Family construction form	M8
Material contact	Brass
Degree of protection (EN IEC 60529)	IP67

Kommersiella uppgifter

ECLASS-6.0	27279221
ECLASS-6.1	27260702
ECLASS-7.0	27440102
ECLASS-8.0	27440102

ECLASS-9.0	27440116
ECLASS-10.1	27440102
ECLASS-11.1	27440102
ECLASS-12.0	27440116
ETIM-5.0	EC002635
Förpackningsenhet	1
GTIN	4048879224475
Kundens tullnummer	85366990

Electrical data | Supply

Operating voltage DC max.	60 V
Current operating per contact max.	4 A

Installation

Connection cross section min.	0,14 mm ²
Connection cross section max.	0,5 mm ²

Installation | Connection

Tightening torque	0,4 Nm
Mounting set	M8 x 1

Device protection | Electrical

Additional condition protection degree	inserted, screwed
Pollution Degree	3
Rated surge voltage	1,5 kV
Overvoltage category (EN 60664-1)	III
Overvoltage category (EN 60950-1)	III

Mechanical data | Material data

Coating locking	nickel plated
Locking material	Brass

Mechanical data | Mounting data

Mounting method	inserted, screwed, Shaking protection
Clamping range min.	4 mm
Clamping range max.	5,5 mm
Height	49 mm
Width	14 mm
Depth	14 mm

Environmental characteristics | Climatic

Operating temperature min.	-40 °C
Operating temperature max.	85 °C

Important installation notes

Note on strain relief	Protect the connectors by suitable measures from mechanical loads, e.g. by the usage of cable ties.
Note on bending radius	Attention: Observe the permissible bending radii when laying cables, as the IP protection class can be endangered by excessive bending forces.